



OPTIONAL ATTACHMENTS & ACCESSORIES

Accessories

35130454230	U-Handle Kit
99944200200	SRM Shoulder Harness Kit
99944200411	20mm Blade Conversion Kit
99944200415	Universal Blade Conversion Kit
99944200455	Barrier Bar
99944200521	U-Handle_Blade Conversion Combo Kit
SRAC-200	Tiller/Cultivator Attachment

Cutting Heads

21560030	ECHOMATIC Pro Head
21560031	SRM ECHOMATIC Pro Head
21560050	Semi-Auto Head Assembly
21560056	2-Line Rapid Loader Head -- Echo
21560060	SRM Manual Dual Line Head
99944200900	U-Turn Head

PARTS CATALOG

SRM-210 Trimmer

21.2cc

SERIAL NUMBERS

S/N: 07001001 - 07999999

ECHO, INCORPORATED

400 Oakwood Road Lake Zurich, Illinois 60047 USA

WWW.ECHO-USA.COM



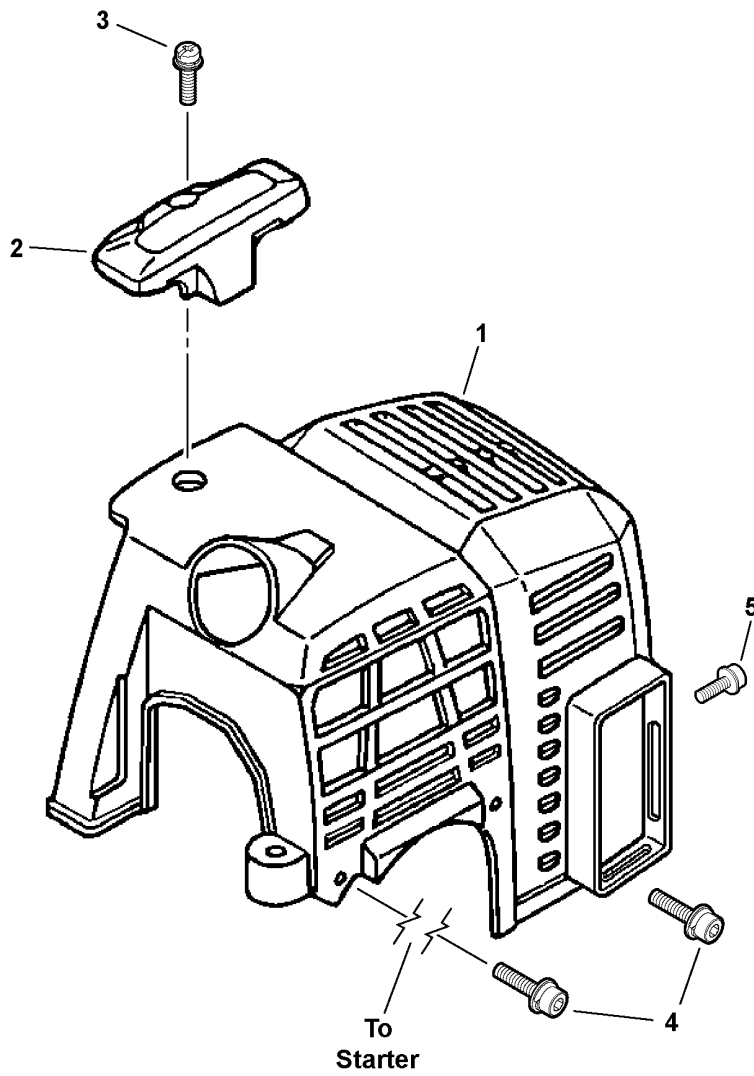
Table of Contents

Click Any Diagram Description Below To View That Diagram.

SRM-210 S/N: 07001001 - 07999999

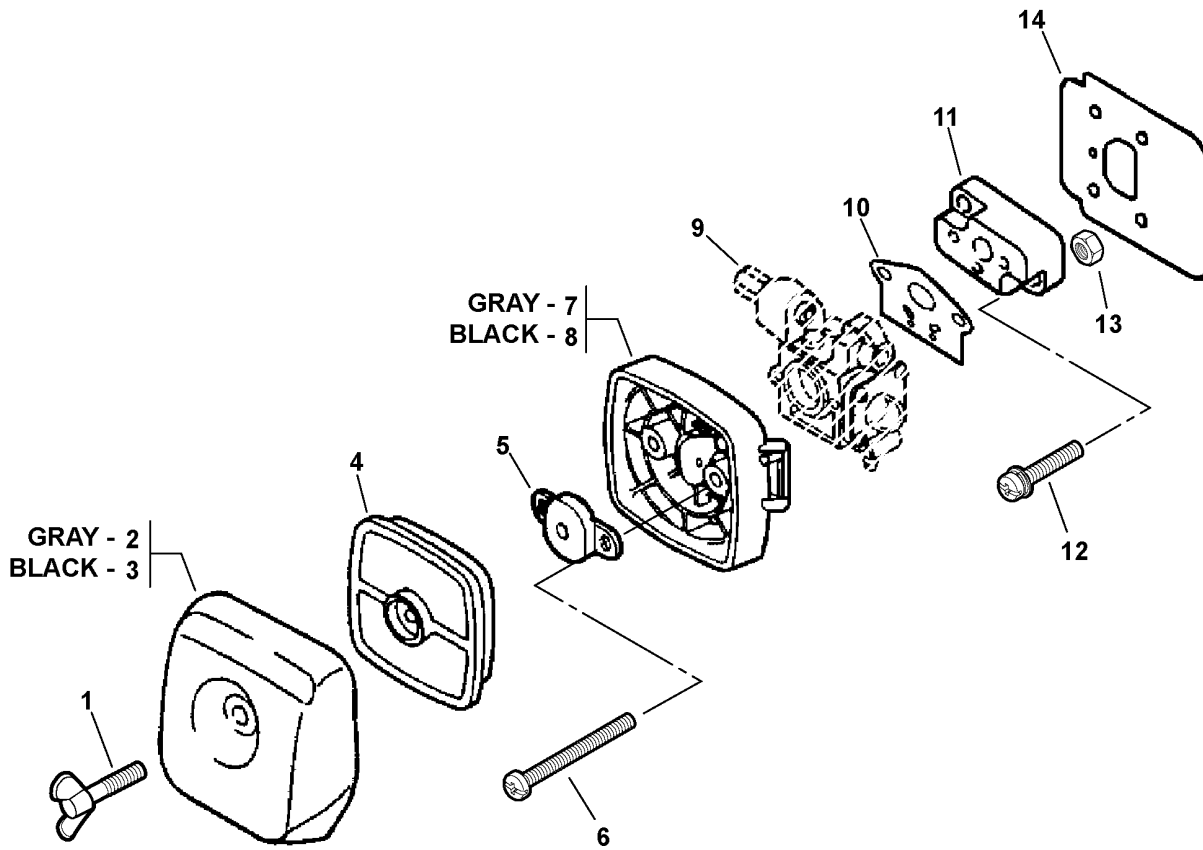
Engine Cover.....	4
Intake.....	6
Carburetor -- RB-K66B S/N: 07001001 - 07004317.....	8
Carburetor -- RB-K70A S/N: 07004318 - 07999999.....	10
Exhaust.....	12
Starter -- Standard S/N: 07001001 - 07004397.....	14
Starter -- i-30 S/N: 07004398 - 07999999.....	16
Fuel System.....	18
Fan Case, Clutch.....	20
Ignition.....	22
Engine, Short Block -- SB1065.....	24
Plastic Shield.....	26
Gear Case.....	28
Main Pipe Assembly, Flexible Driveshaft.....	30
Control Handle, Throttle Cable, Ignition Switch.....	32
Front Handle.....	34
Labels S/N: 07001001 - 07004397.....	36
Labels S/N: 07004398 - 07999999.....	38
Gasket Kit.....	40
RePower Tune-Up Kit.....	42
Tools.....	44
Part Number Index.....	46
Part Description Index.....	47

This Page Intentionally Left Blank



001 0027 00B

ITEM	PART NUMBER	QTY	DESCRIPTION	REMARKS
1	A160000181	1	COVER, ENGINE	
2	A162000050	1	GUARD, TOP	
3	90023805016	1	SCREW 5X16	
5	9110704008	1	SCREW 4X8	
4	90016304016	2	SCREW 4X16	

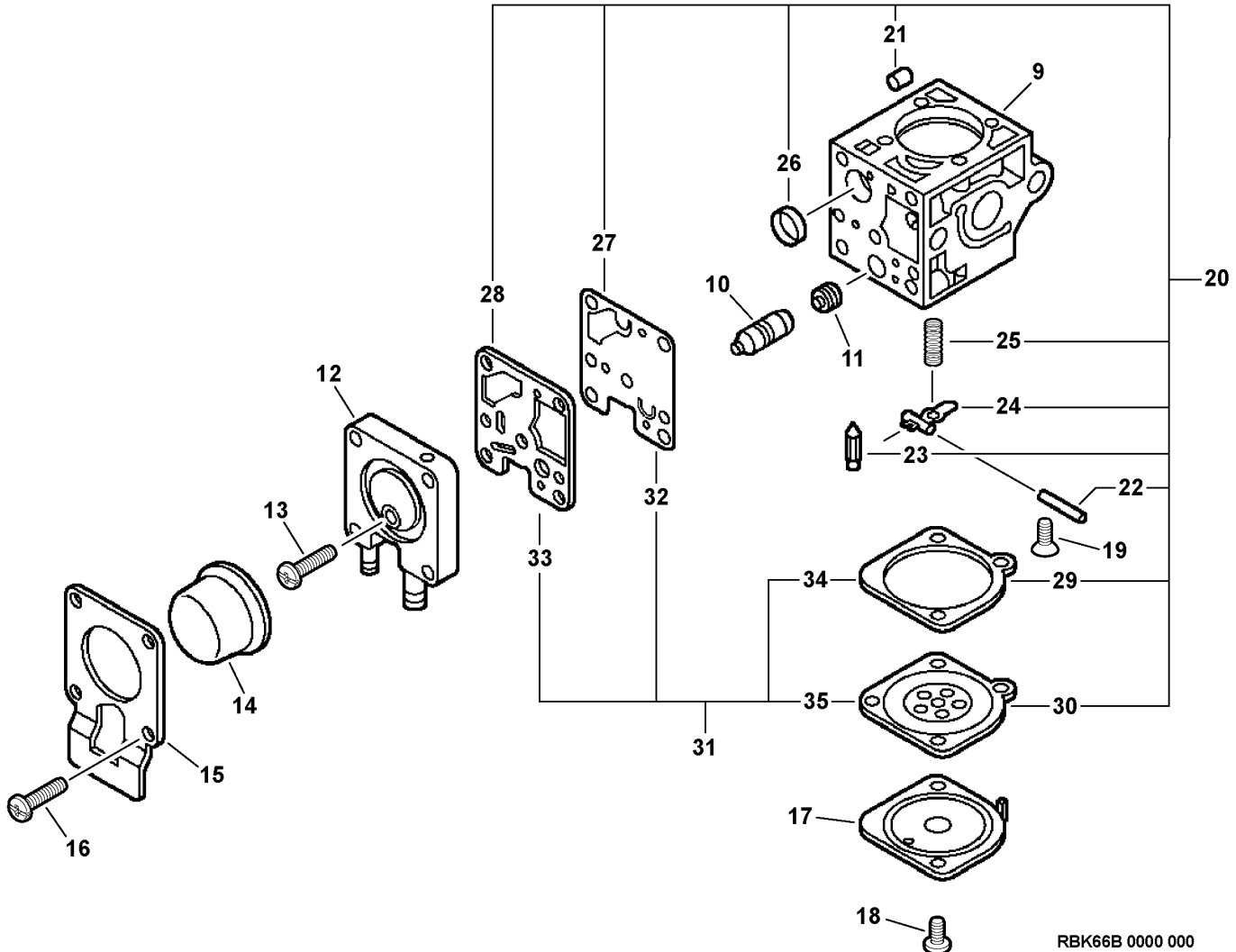
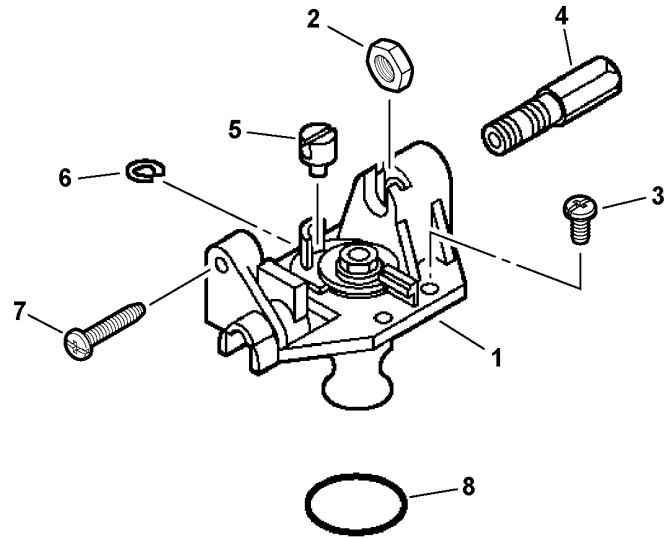


005 0007 00B

ITEM	PART NUMBER	QTY	DESCRIPTION	REMARKS
1	21041752730	1	WING BOLT	
2	13031306563	1	LID, AIR CLEANER - GRAY	
3	13031305863	1	LID, AIR CLEANER - BLACK	
4	13031054130	1	FILTER, AIR ¹	
5	12901152730	1	PLATE, PREVENT	
6	90022005065	2	SCREW 5X65	
7	P021000991	1	CASE, AIR CLEANER - GRAY	
8	P021004480	1	CASE, AIR CLEANER - BLACK	
9	-----	1	CARBURETOR	See Carburetor Diagram For Additional Information
10	13001013410	1	GASKET, INTAKE ²	
11	13001744330	1	INSULATOR, INTAKE	
12	90023805020	2	SCREW 5X20	
13	90050000005	2	NUT 5	
14	13001042032	1	SHIELD, INTAKE ²	

Footnotes

- 1: Also Included In REPOWER TUNE-UP KIT
- 2: Also Included In GASKET KIT

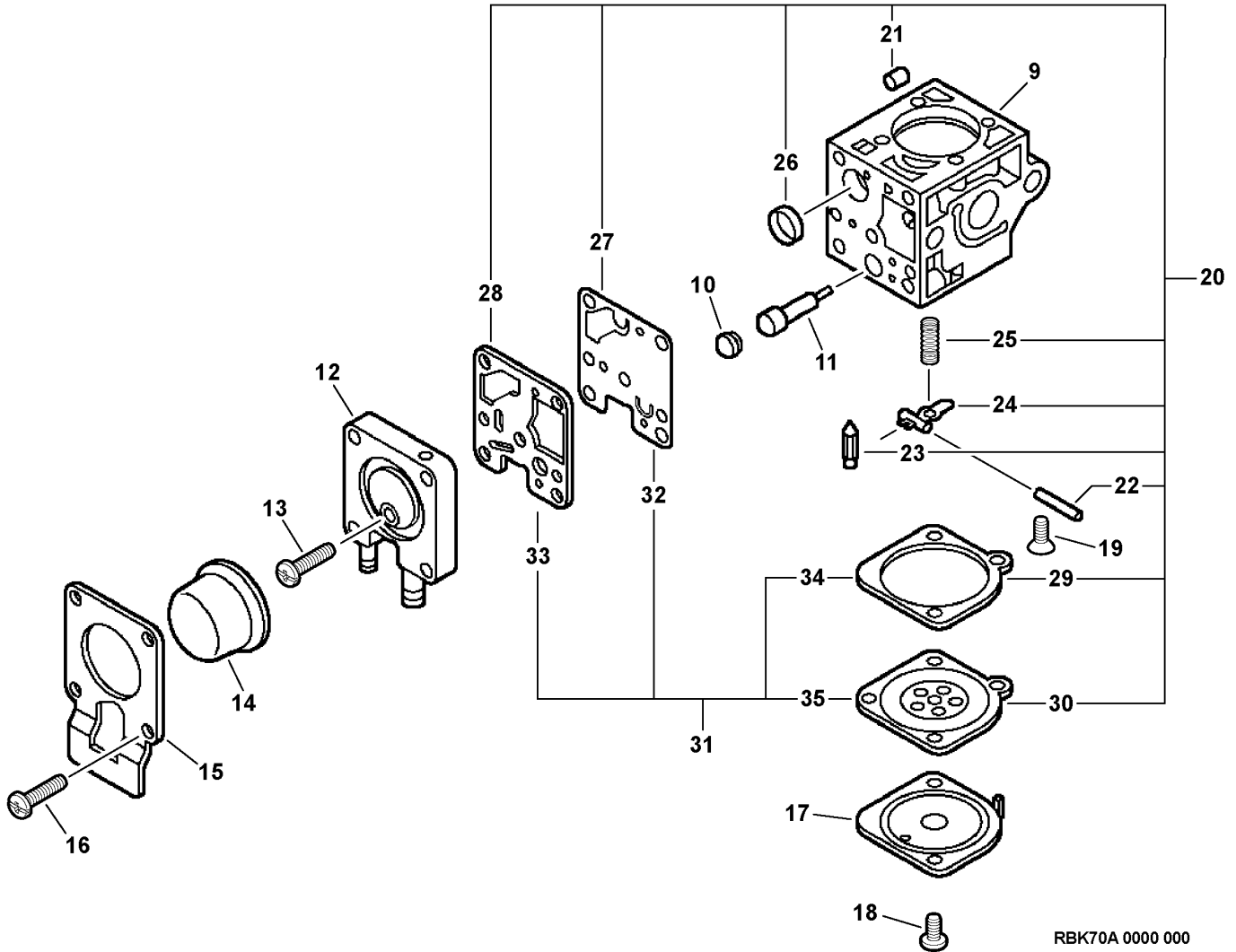
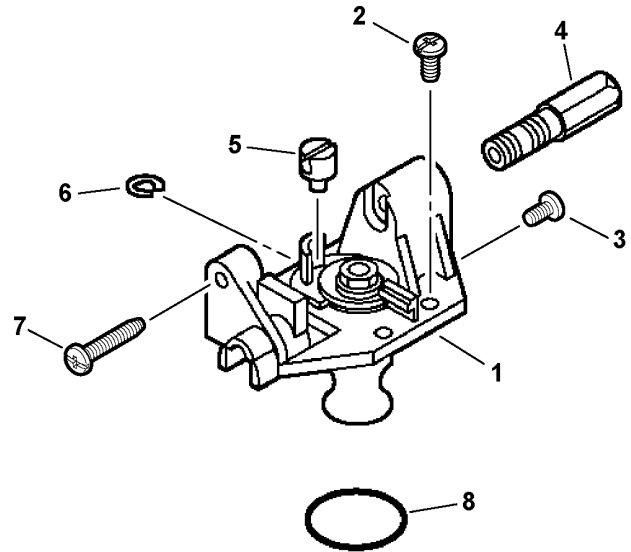


RBK66B 0000 000

ITEM	PART NUMBER	QTY	DESCRIPTION	REMARKS
	A021000382	1	CARBURETOR -- RB-K66B	
1	P005000690	1	ROTOR COVER ASY	
2	P005000120	1	NUT, CABLE	
3	12534413931	3	SCREW, ROTOR COVER ASY	
4	P005000700	1	SCREW, CABLE ADJUST	
5	P005000180	1	SWIVEL	
6	P005000190	1	E-RING	
7	P005000100	1	SCREW, THROTTLE ADJUST	
8	P005000280	1	O-RING	
9	-----	1	BODY, CARBURETOR ¹	
10	P005000370	1	PLUG KIT	
11	P005000570	1	JET	
12	P005000930	1	PURGE BASE ASY	
13	P005000270	1	SCREW, PURGE BASE ASY	
14	12538108660	1	BULB, PURGE	
15	P005000250	1	RETAINER, PURGE BULB	
16	12531061830	4	SCREW, PURGE BULB RETAINER	
17	12534252130	1	COVER, DIAPHRAGM	
18	12534452130	2	SCREW, DIAPHRAGM COVER	
19	12533942030	1	SCREW, METERING LEVER PIN	
20	P005000950	1	REPAIR KIT	INCLUDES ITEMS 21-30
21	P005001000	1	ROLLER, GUIDE	
22	-----	1	PIN, METERING LEVER	
23	-----	1	VALVE, INLET NEEDLE	
24	-----	1	LEVER, METERING	
25	-----	1	SPRING, METERING LEVER	
26	-----	1	STRAINER	
27	-----	1	DIAPHRAGM, PUMP	
28	-----	1	GASKET, PUMP	
29	-----	1	GASKET, METERING	
30	-----	1	DIAPHRAGM, METERING	
31	P005000550	1	DIAPHRAGM/GASKET KIT	INCLUDES ITEMS 32-35
32	-----	1	DIAPHRAGM, PUMP	
33	-----	1	GASKET, PUMP	
34	-----	1	GASKET, METERING	
35	-----	1	DIAPHRAGM, METERING	

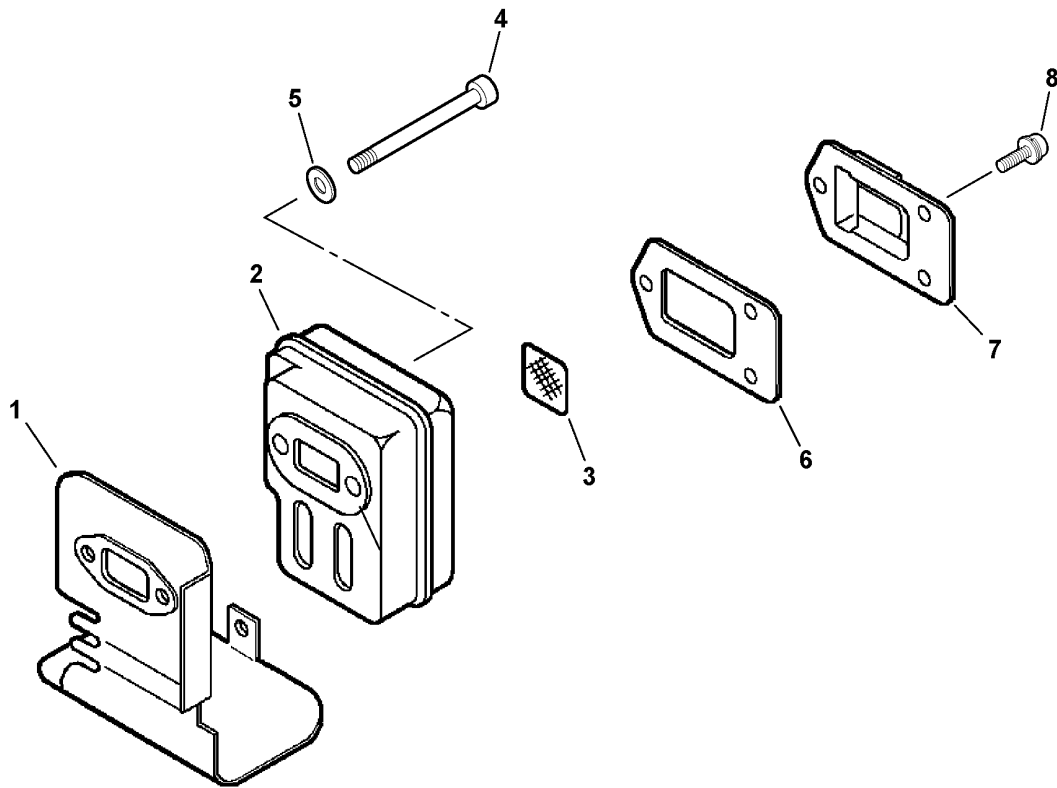
Footnotes

1: NOT AVAILABLE SEPARATELY



RBK70A 0000 000

ITEM	PART NUMBER	QTY	DESCRIPTION	REMARKS
	A021000721	1	CARBURETOR -- RB-K70A	
1	P005001620	1	ROTOR COVER ASY	
2	12534413931	3	SCREW, ROTOR COVER ASY	
3	12534452130	1	SCREW, ROTOR COVER	
4	P005001330	1	SCREW, CABLE ADJUST	
5	P005001240	1	SWIVEL	
6	P005000190	1	E-RING	
7	P005000100	1	SCREW, THROTTLE ADJUST	
8	P005000280	1	O-RING	
9	-----	1	BODY, CARBURETOR	NOT AVAILABLE SEPARATELY
10	P005001270	1	PLUG	
11	P005001260	1	NEEDLE - HIGH SPEED	
12	P005000930	1	PURGE BASE ASY	
13	P005000270	1	SCREW, PURGE BASE ASY	
14	12538108660	1	BULB, PURGE	
15	P005000250	1	RETAINER, PURGE BULB	
16	12531061830	4	SCREW, PURGE BULB RETAINER	
17	12534252130	1	COVER, DIAPHRAGM	
18	12534452130	3	SCREW, DIAPHRAGM COVER	
19	12533942030	1	SCREW, METERING LEVER PIN	
20	P005000950	1	REPAIR KIT	INCLUDES ITEMS 21-30
21	P005001000	1	ROLLER, GUIDE	
22	-----	1	PIN, METERING LEVER	
23	-----	1	VALVE, INLET NEEDLE	
24	-----	1	LEVER, METERING	
25	-----	1	SPRING, METERING LEVER	
26	-----	1	STRAINER	
27	-----	1	DIAPHRAGM, PUMP	
28	-----	1	GASKET, PUMP	
29	-----	1	GASKET, METERING	
30	-----	1	DIAPHRAGM, METERING	
31	P005000550	1	DIAPHRAGM/GASKET KIT	INCLUDES ITEMS 32-35
32	-----	1	DIAPHRAGM, PUMP	
33	-----	1	GASKET, PUMP	
34	-----	1	GASKET, METERING	
35	-----	1	DIAPHRAGM, METERING	

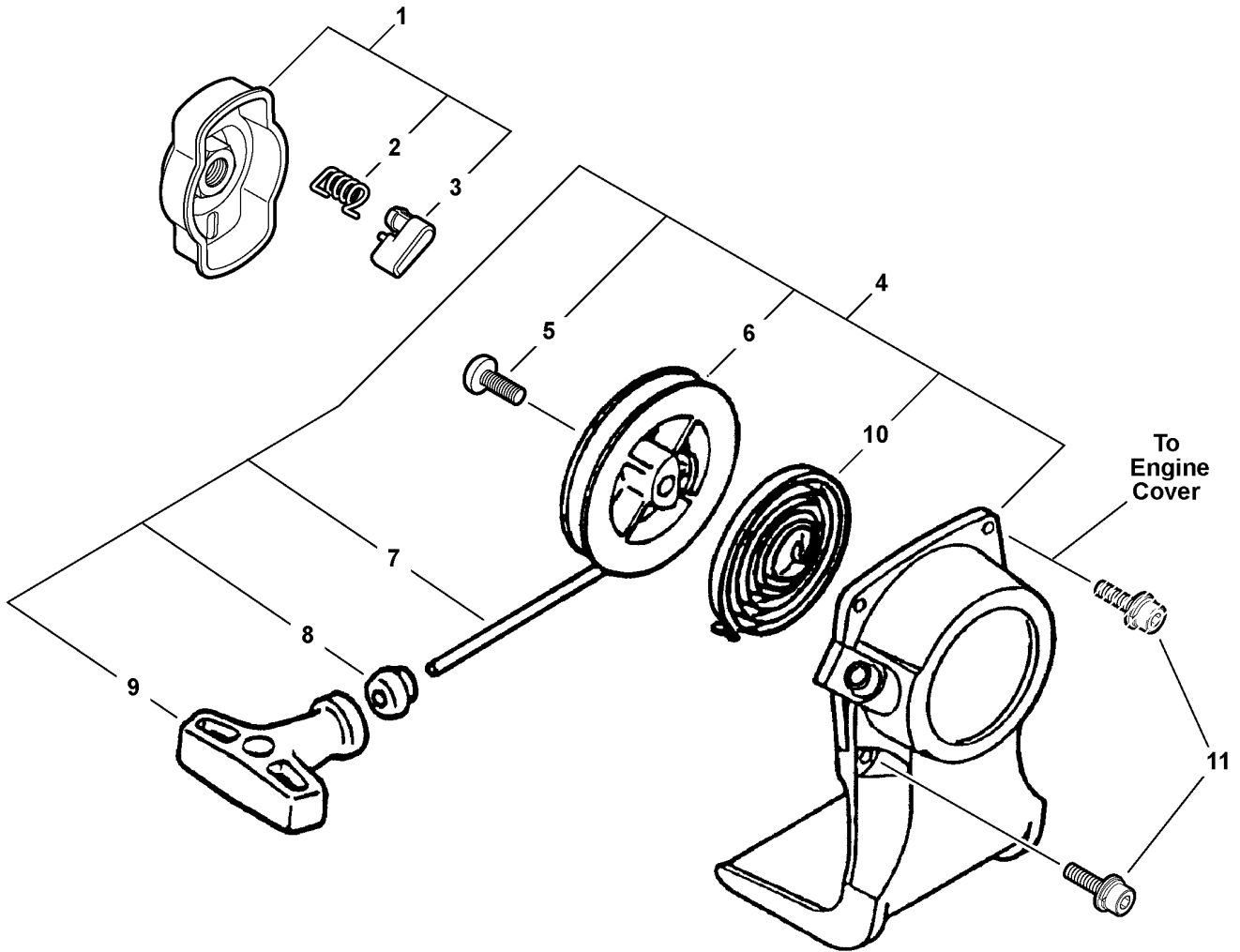


006 0010 000

ITEM	PART NUMBER	QTY	DESCRIPTION	REMARKS
1	V104000440	1	SHIELD, EXHAUST ¹	
2	14580642030	1	MUFFLER	
3	14586240630	1	SCREEN, MUFFLER	
4	90010505055	2	SCREW 5X55	
5	90060000005	2	WASHER	
6	14586642031	1	GASKET, EXHAUST	
7	A313000350	1	GUIDE, EXHAUST ¹	
8	90024204010	3	SCREW 4X10	

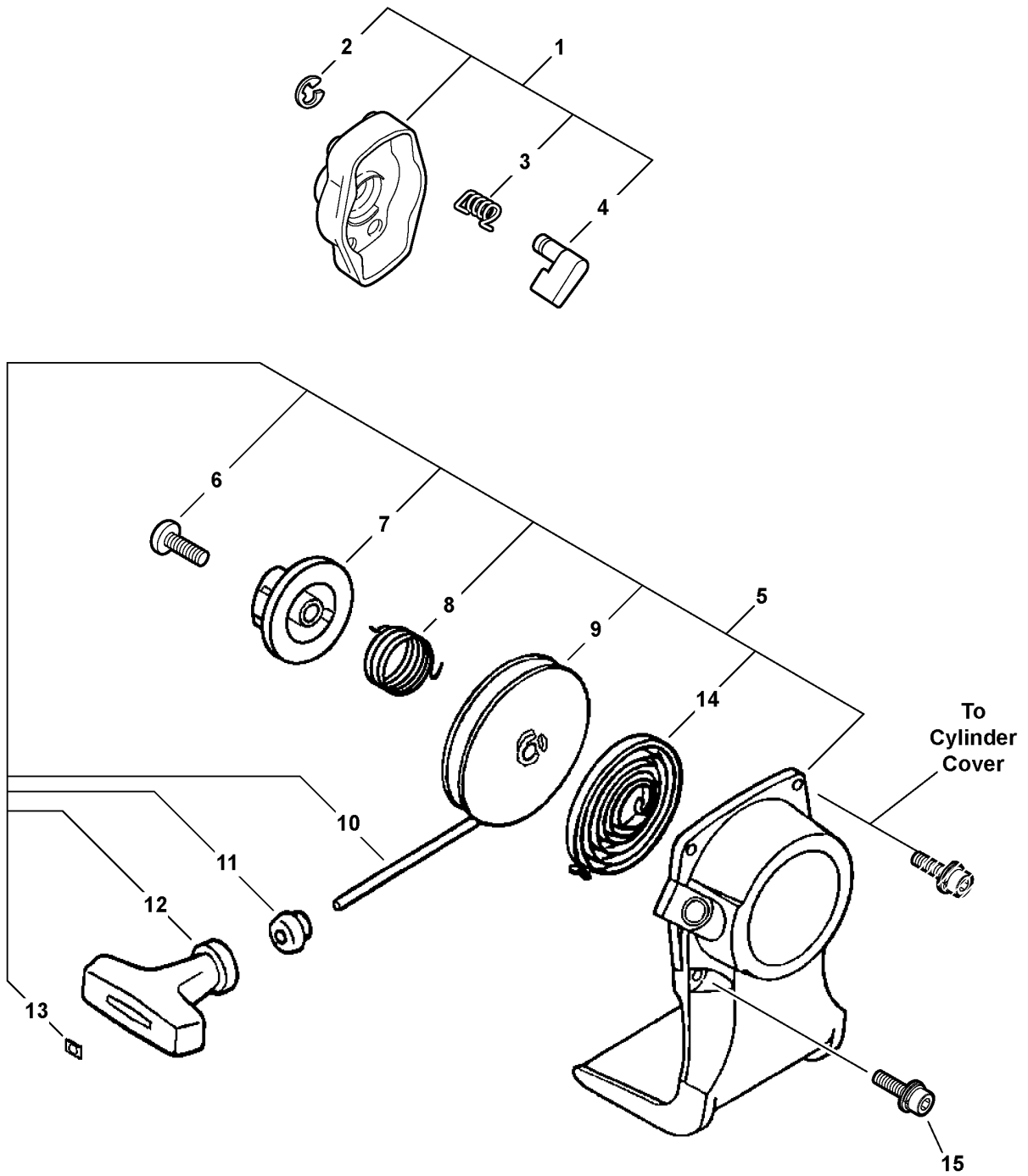
Footnotes

1: Also Included In GASKET KIT



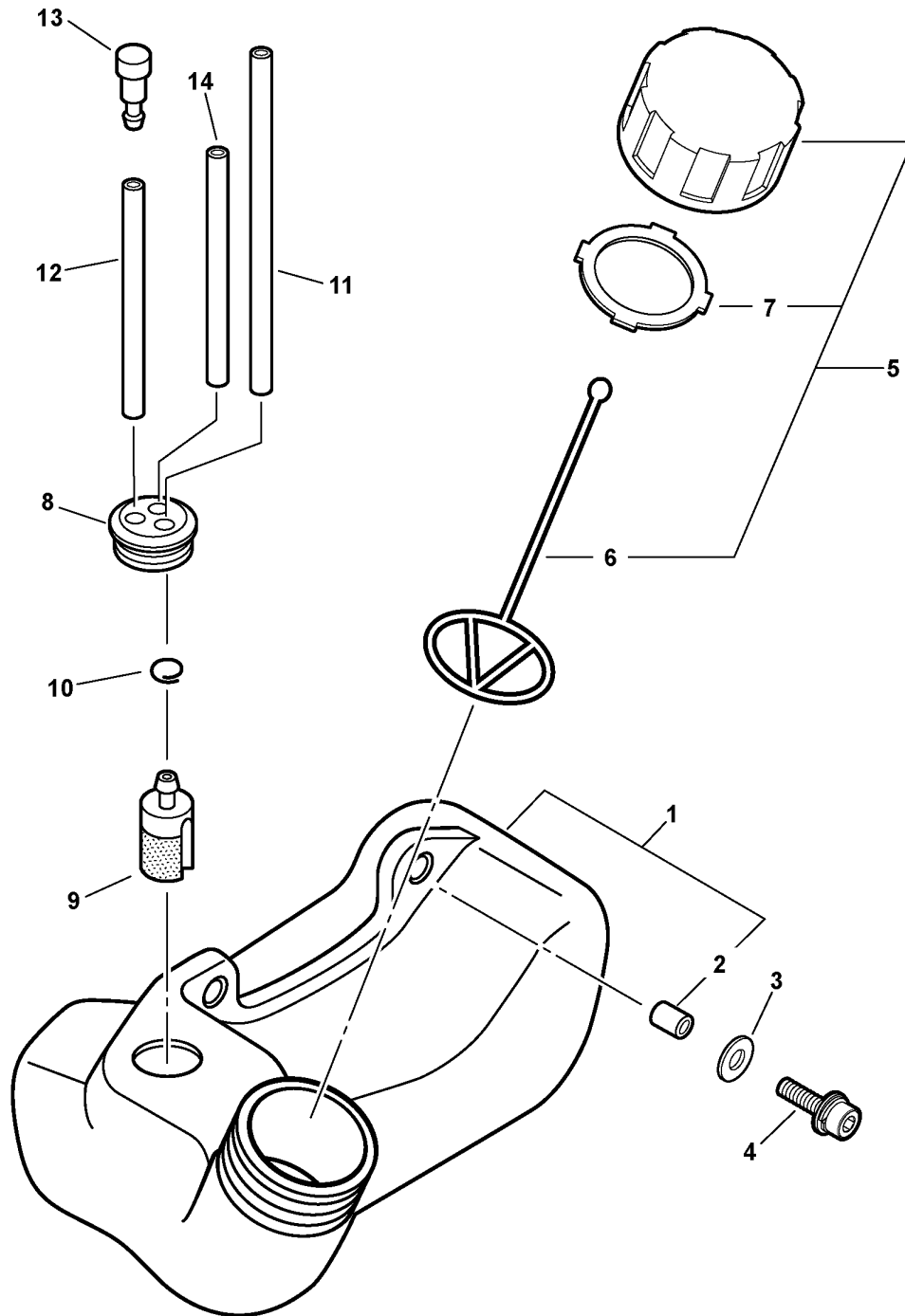
004 0022 000

ITEM	PART NUMBER	QTY	DESCRIPTION	REMARKS
1	17720244331	1	STARTER PAWL ASY	INCLUDES ITEMS 2-3
2	17723412220	1	SPRING, RETURN	
3	17721844330	1	PAWL, STARTER	
4	17720054130	1	STARTER ASY	INCLUDES ITEMS 5-10
5	17723644330	1	SCREW	
6	17721544430	1	DRUM, STARTER	
7	17722610120	1	ROPE, STARTER - 3X1000mm	REPOWER BULK OPTION: 99944440000
8	17722742030	1	GUIDE, ROPE	
9	17722806530	1	GRIP, STARTER	
10	17722042030	1	SPRING, REWIND	
11	90016304016	4	SCREW 4X16	



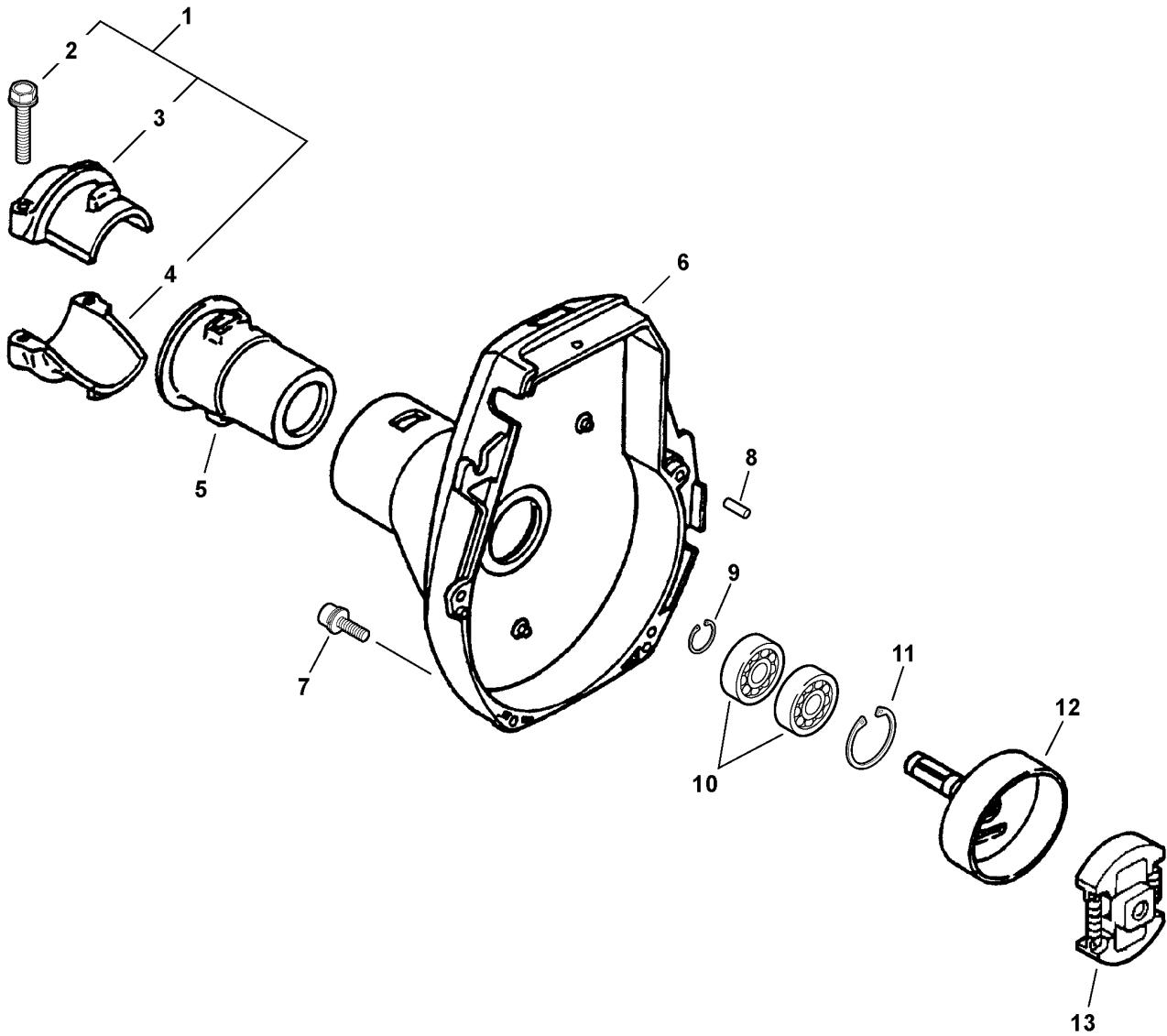
004 0009 000

ITEM	PART NUMBER	QTY	DESCRIPTION	REMARKS
1	A052000180	1	STARTER PAWL ASY	INCLUDES ITEMS 2-4
2	P022002100	2	E-RING	
3	P022006510	2	SPRING, PAWL RETURN	
4	P022006850	2	PAWL, STARTER	
5	A051000680	1	STARTER ASY	INCLUDES ITEMS 6-14
6	17723661830	1	SCREW	
7	P022008280	1	PLATE, CAM	
8	P022008270	1	SPRING, DAMPER	
9	P022006830	1	DRUM	
10	P022008260	1	ROPE, STARTER - 3X700mm	REPOWER BULK OPTION: 99944440000
11	17722742030	1	GUIDE, ROPE	
12	17722827030	1	GRIP, STARTER	
13	17724611120	1	CLIP, STARTER ROPE	
14	17722042030	1	SPRING, REWIND	
15	90016304016	4	SCREW 4X16	



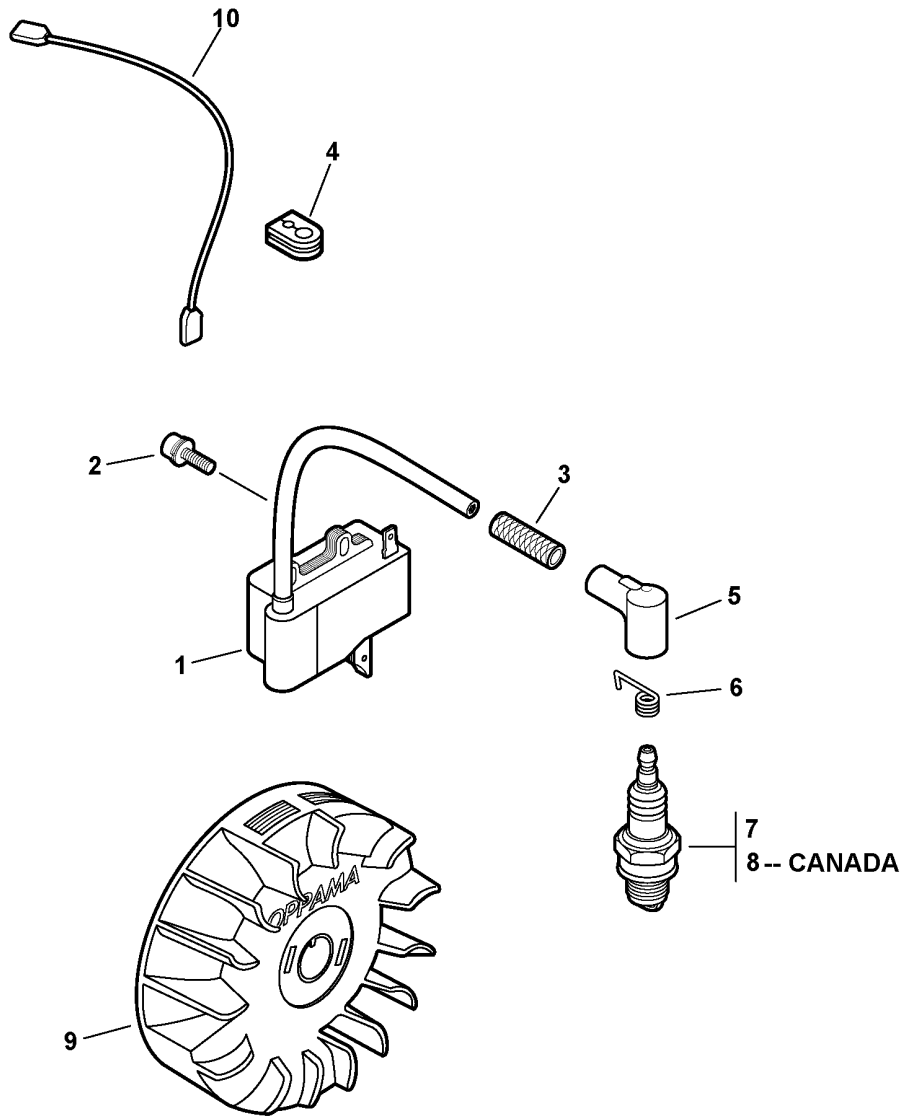
002 0006 000

ITEM	PART NUMBER	QTY	DESCRIPTION	REMARKS
1	A350000220	1	FUEL TANK ASY	INCLUDES ITEM 2
2	13104528230	2	SPACER	
3	90060300005	2	WASHER 5	
4	90016205016	2	SCREW 5X16	
5	13100455530	1	CAP ASY	INCLUDES ITEMS 6-7
6	13105156030	1	CONNECTOR, CAP	
7	13101655830	1	GASKET, CAP	
8	V137000030	1	GROMMET	
9	13120507320	1	FILTER, FUEL	
10	13201309820	1	CLIP	
11	V471001190	1	PIPE, FUEL - 3X5X180mm	REPOWER BULK OPTION: 90014
12	V471001200	1	PIPE, VENT - 3X5X70mm	REPOWER BULK OPTION: 90014
13	A356000030	1	VENT ASY	
14	13201256030	1	PIPE, RETURN - 3X6X80mm	REPOWER BULK OPTION: 90017



003 0005 000

ITEM	PART NUMBER	QTY	DESCRIPTION	REMARKS
1	61090355230	1	HOLDER KIT	INCLUDES ITEMS 2-4
2	90014205025	2	BOLT 5X25	
3	61092227432	1	HOLDER	
4	61092355230	1	HOLDER	
5	61091055230	1	CUSHION	
6	10150352131	1	FAN COVER ASY	
7	90016304016	4	SCREW 4X16	
8	V622000020	2	DOWEL PIN	
9	90070100012	1	CIRCLIP 12	
10	90080796001	2	BEARING, BALL - 6001	
11	90070200028	1	CIRCLIP 28	
12	17500548931	1	DRUM, CLUTCH	
13	17500056830	1	CLUTCH ASY	

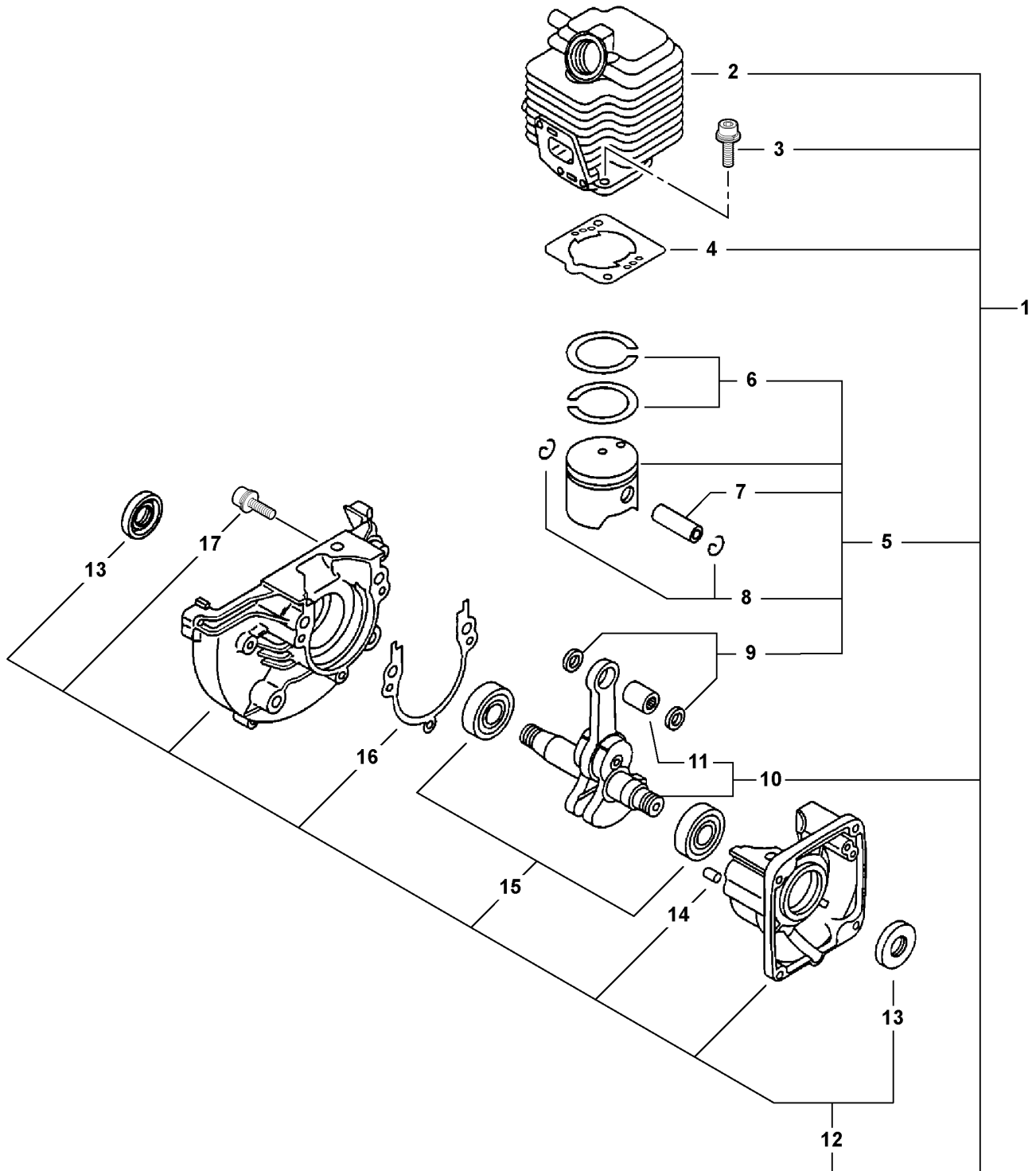


007 0043 000

ITEM	PART NUMBER	QTY	DESCRIPTION	REMARKS
1	A411000140	1	COIL, IGNITION	
2	90016204020	2	SCREW 4X20	
3	15611054930	1	TUBE, INSULATOR	
4	15611240630	1	BUSHING	
5	15901201620	1	CAP, SPARK PLUG	
6	15901103432	1	TERMINAL, SPARK PLUG CAP	
7	15901019830	1	SPARK PLUG -- BPM-8Y ¹	
8	A425000000	1	SPARK PLUG -- BPMR-8Y ¹	CANADA MODELS
9	A409000160	1	FLYWHEEL	
10	16201052830	1	LEAD, IGNITION	

Footnotes

1: Also Included In REPOWER TUNE-UP KIT

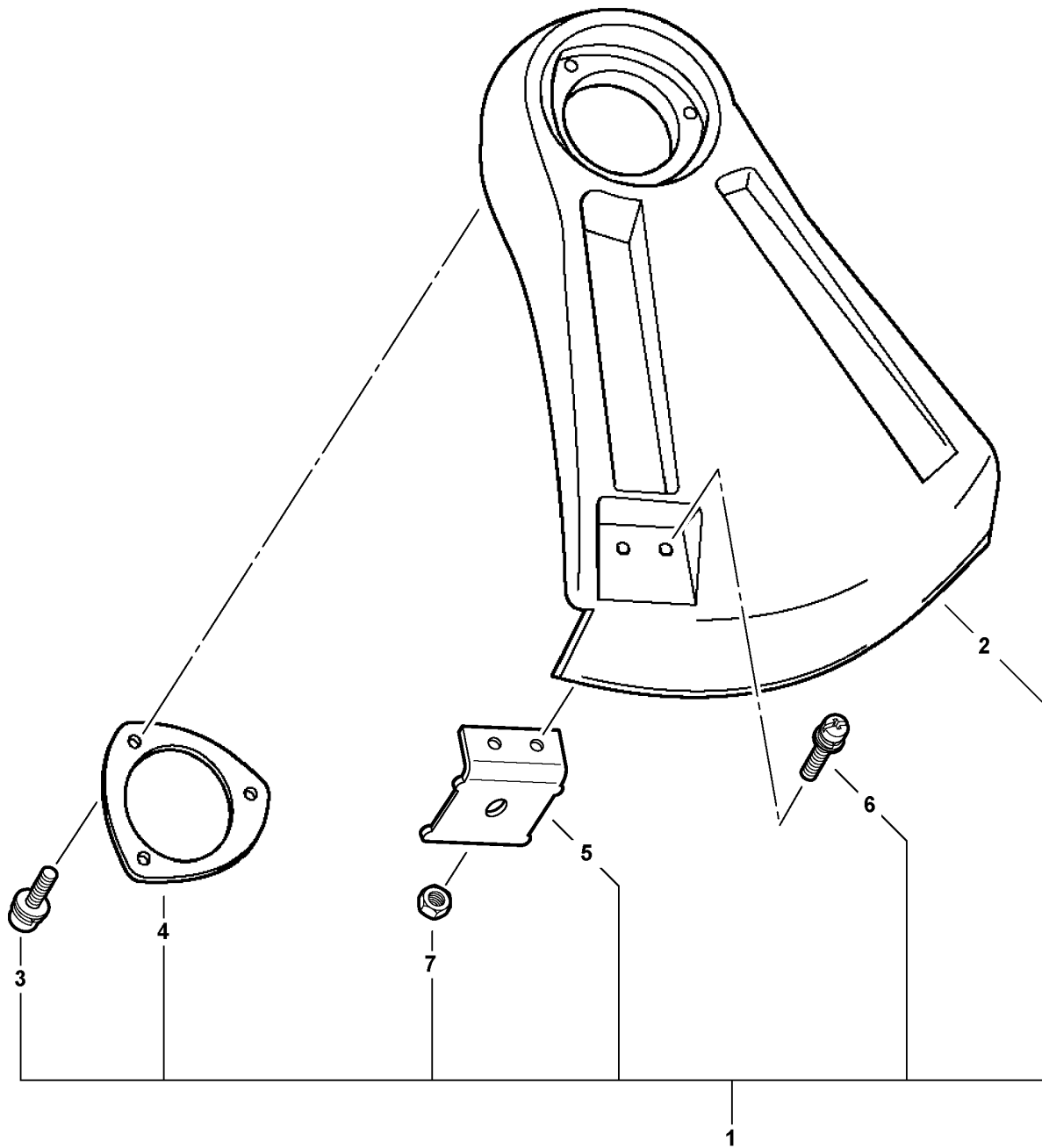


SB1065 0000 000

ITEM	PART NUMBER	QTY	DESCRIPTION	REMARKS
1	SB1065	1	SHORT BLOCK	INCLUDES ITEM 2-17
2	A130000430	1	CYLINDER	
3	90016205022	2	SCREW 5X22	
4	V100000080	1	GASKET, CYLINDER ¹	
5	P021001101	1	PISTON KIT	INCLUDES ITEMS 6-9
6	A101000000	2	RING, PISTON	
7	10001311520	1	PIN, PISTON	
8	10001504630	2	CIRCLIP, PISTON PIN	
9	10001411520	2	SPACER, PISTON PIN	
10	A011000101	1	CRANKSHAFT ASY	INCLUDES ITEM 11
11	V553000010	1	BEARING, NEEDLE	
12	10020452131	1	CRANKCASE KIT ¹	INCLUDES ITEMS 13-17
13	10021242031	2	OIL SEAL	
14	V622000020	2	DOWEL PIN	
15	9403536201	2	BEARING, BALL - 6201	
16	10024242030	1	GASKET, CRANKCASE	
17	90016205028	3	SCREW 5X28	

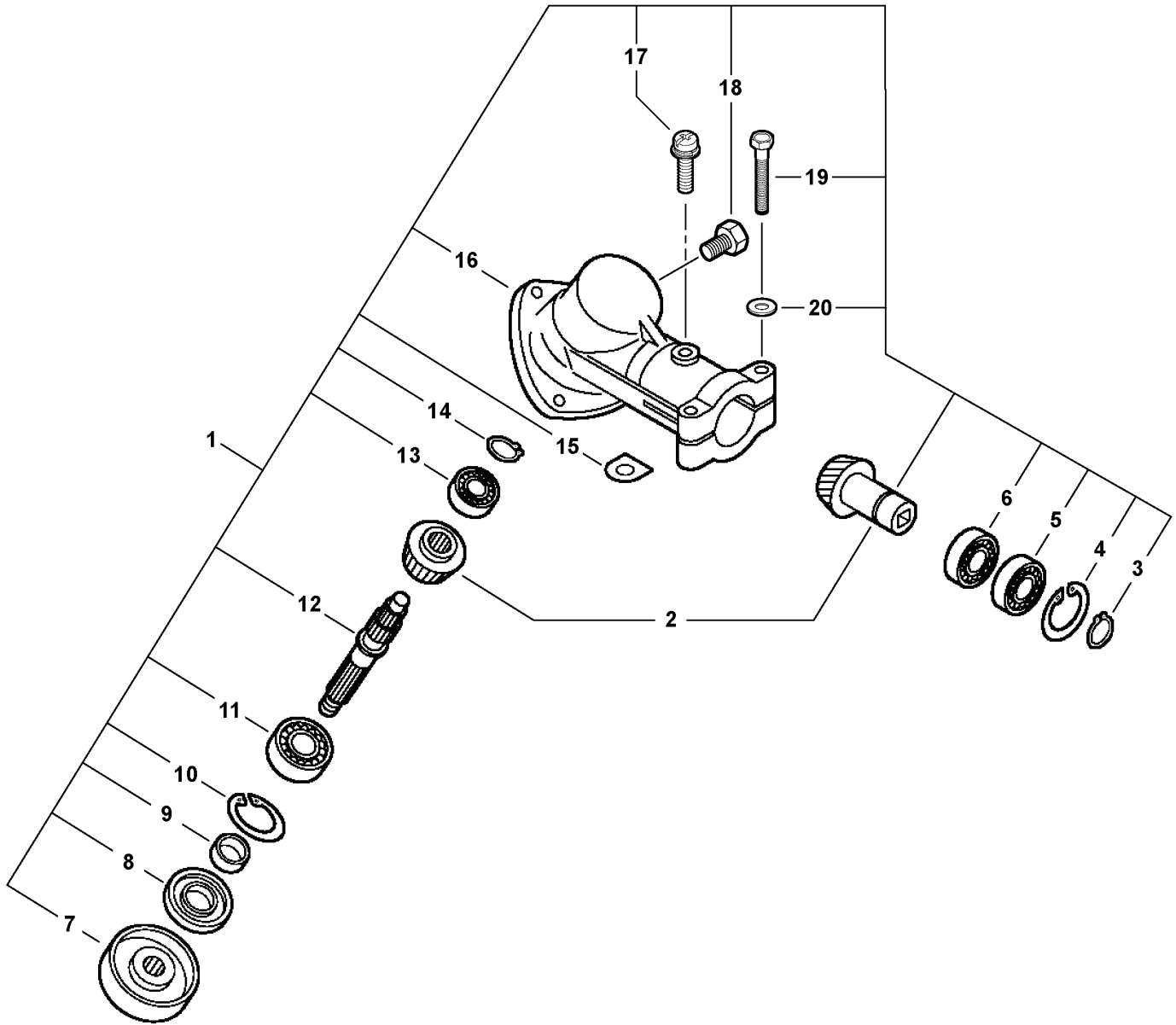
Footnotes

1: Also Included In GASKET KIT



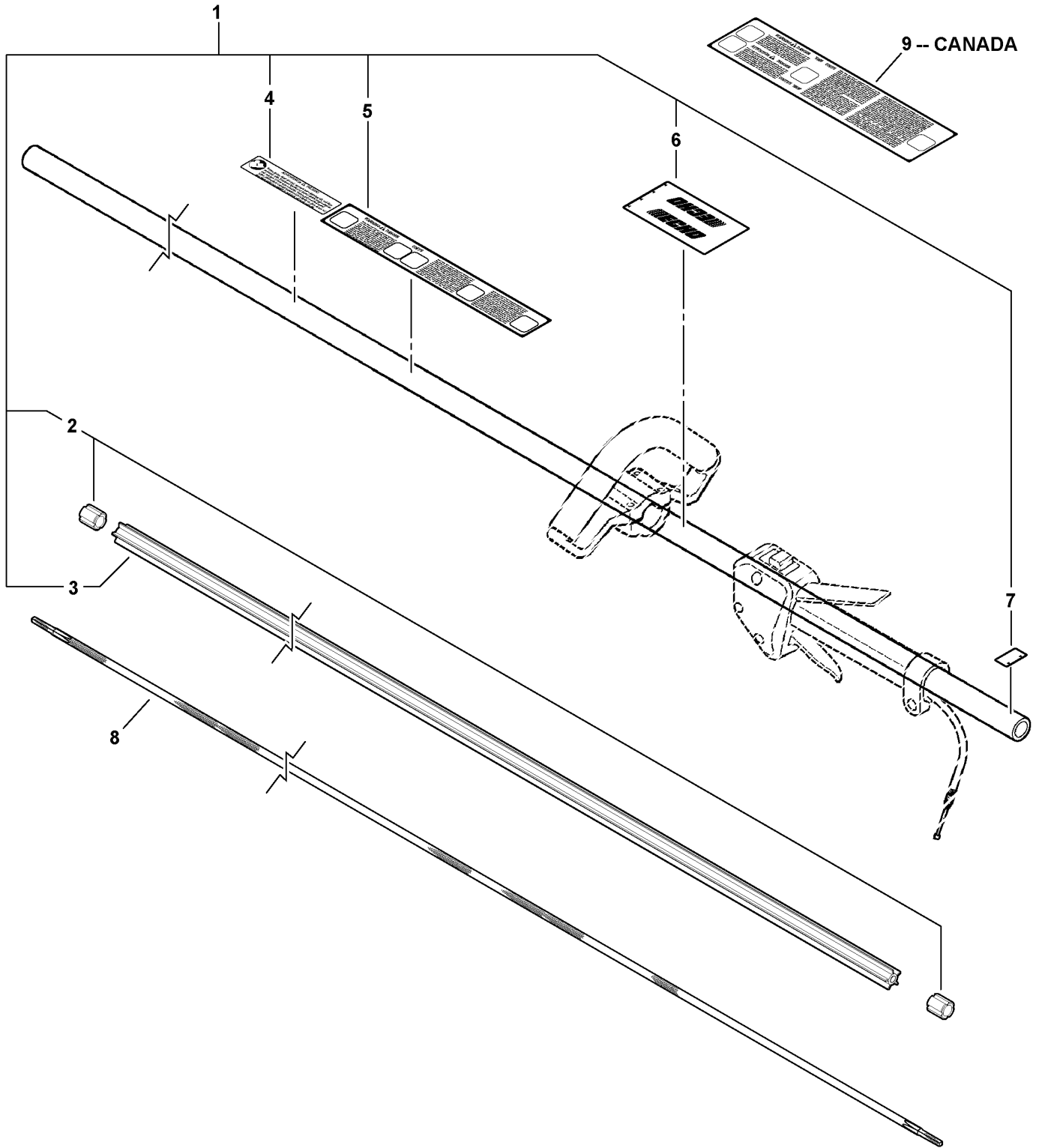
034 0001 000

ITEM	PART NUMBER	QTY	DESCRIPTION	REMARKS
1	P021001392	1	PLASTIC SHIELD KIT	INCLUDES ITEMS 2-7
2	C550000031	1	SHIELD - PLASTIC	
3	90023805020	3	SCREW 5X20	
4	C552000110	1	FLANGE, SHIELD	
5	69901644330	1	CUTTER, LINE	
6	90023805016	2	SCREW 5X16	
7	90050000005	2	NUT 5	



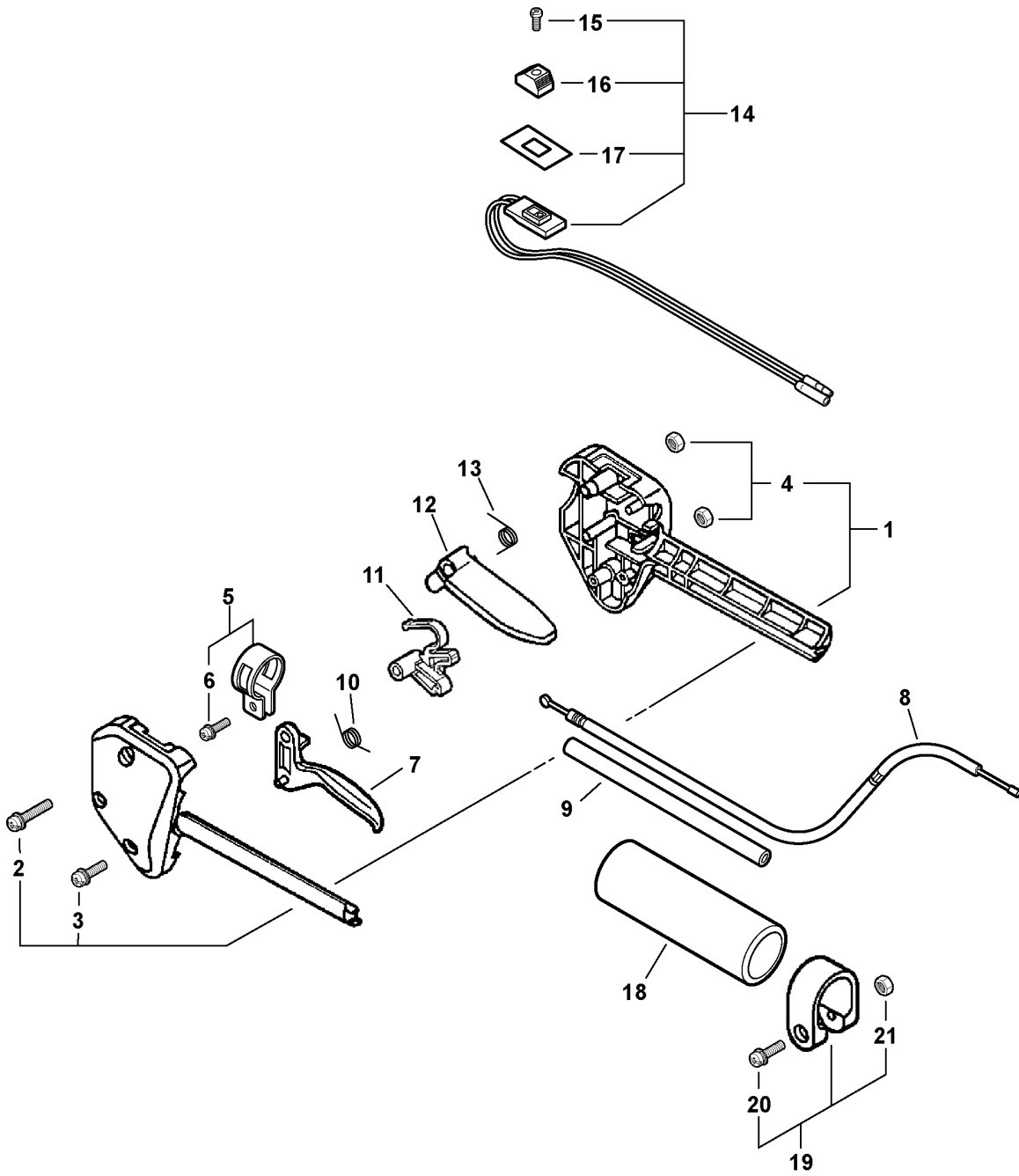
032 0001 000

ITEM	PART NUMBER	QTY	DESCRIPTION	REMARKS
1	61040247732	1	GEAR CASE ASY	INCLUDES ITEMS 2-20
2	61030044830	1	GEAR SET	
3	90070600010	1	CIRCLIP 10	
4	90070200022	1	CIRCLIP 22	
5	90085806900	1	BEARING, BALL - 6900Z	
6	90085506900	1	BEARING, BALL - 6900	
7	61031347731	1	PLATE, ADAPTER (UPPER)	
8	61041307130	1	OIL SEAL	
9	61031507130	1	SPACER	
10	90070200032	1	CIRCLIP 32	
11	9403536201	1	BEARING, BALL - 6201	
12	61036008931	1	SHAFT, P.T.O.	
13	90080000609	1	BEARING, BALL - 609	
14	90070600012	1	CIRCLIP 12	
15	61023904130	2	WASHER, SHIM	
16	61046027431	1	HOUSING, GEAR	
17	90024205010	1	SCREW 5X10	
18	61043450031	1	BOLT 8X8	
19	90010005035	2	BOLT 5X35	
20	90060000005	2	WASHER 5	



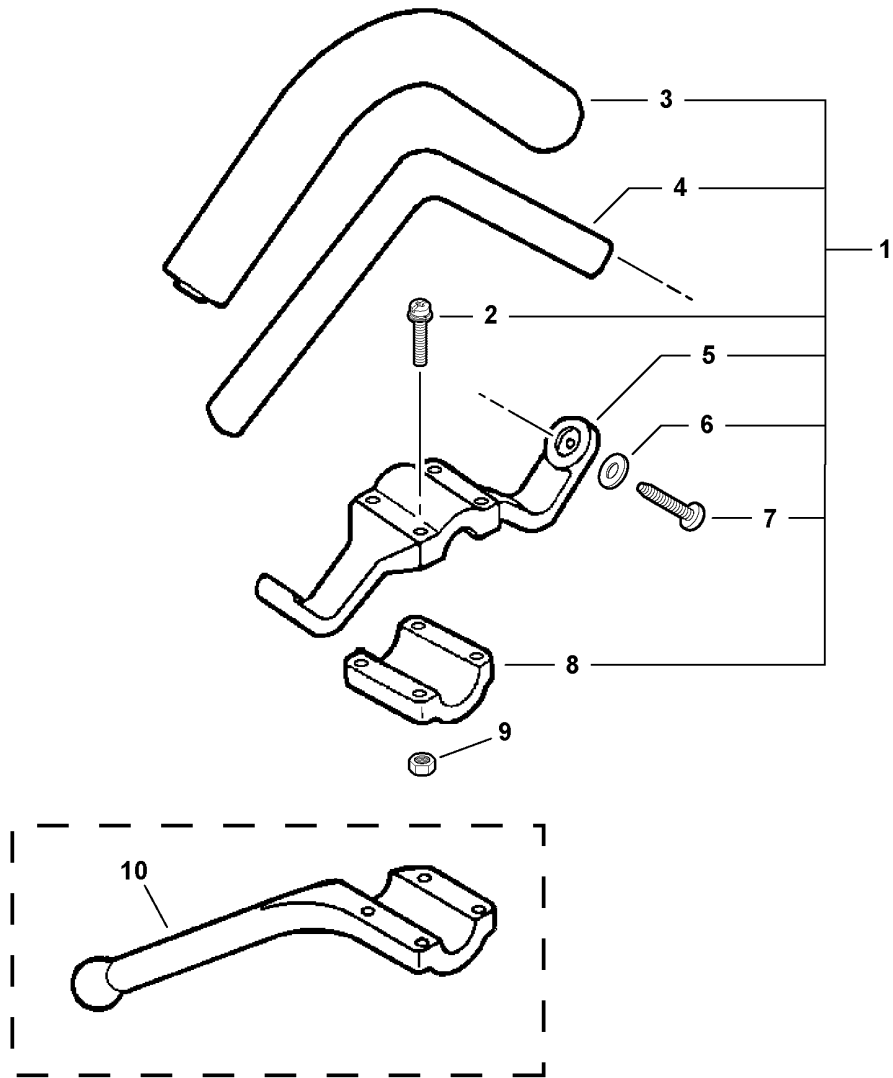
031 0009 000

ITEM	PART NUMBER	QTY	DESCRIPTION	REMARKS
1	61060944730	1	MAIN PIPE ASY	INCLUDES ITEMS 2-7
2	61024644730	2	STOPPER	
3	61021744730	1	LINER, FLEXIBLE	
4	89022809560	1	LABEL - CAUTION -- SPANISH	
5	89016054130	1	LABEL, CAUTION - US	
6	X505001930	1	LABEL - HANDLE LOCATION	
7	89015204930	1	LABEL - PIPE LOCATION	
8	61001344730	1	DRIVESHAFT - FLEXIBLE	
9	89031749030	1	LABEL, CAUTION - CANADA	



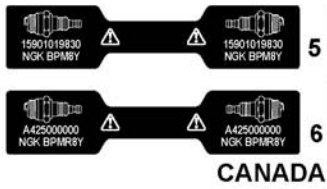
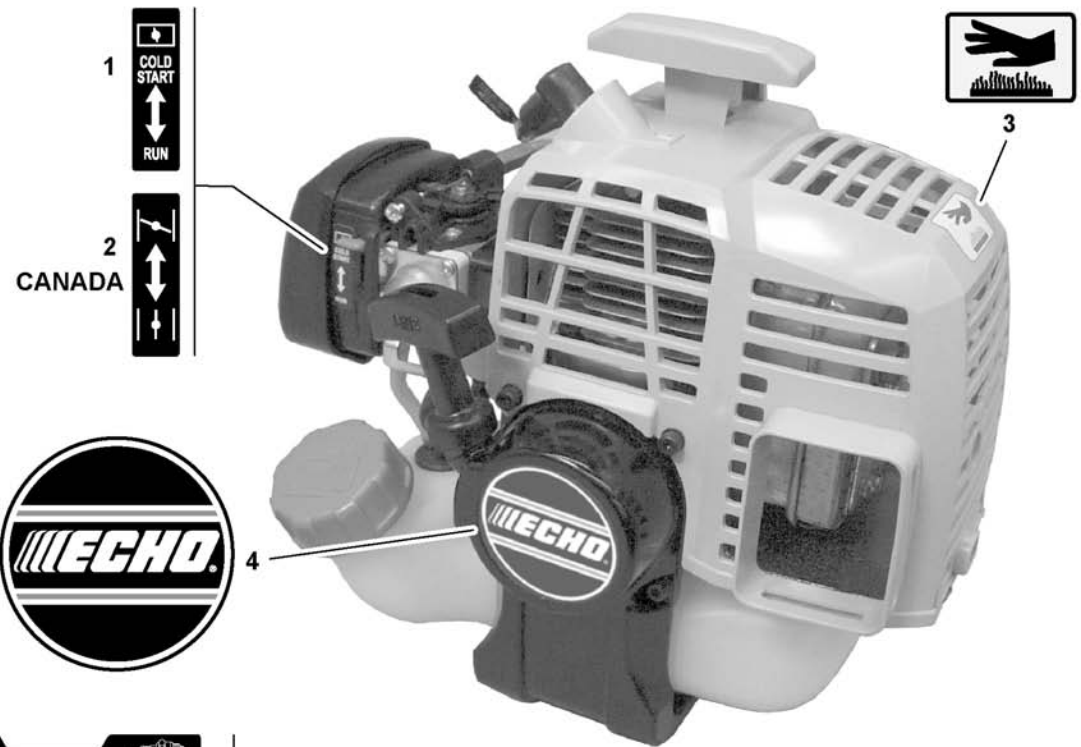
030 0035 000

ITEM	PART NUMBER	QTY	DESCRIPTION	REMARKS
1	17800352130	1	CONTROL HANDLE KIT	INCLUDES ITEMS 2-4
2	90024205035	1	SCREW 5X35	
3	90024205025	1	SCREW 5X25	
4	90050000005	2	NUT 5	
5	30120029430	1	BAND ASY	INCLUDES ITEM 6
6	90024205014	1	SCREW 5X14	
7	17801052130	1	TRIGGER, THROTTLE	
8	V430000730	1	CABLE, THROTTLE	
9	17812750330	1	TUBE, VINYL	
10	17804342230	1	SPRING, THROTTLE RETURN	
11	17801252730	1	LOCKOUT, THROTTLE TRIGGER	
12	17809052631	1	LEVER, THROTTLE TRIGGER LOCKOUT	
13	17801352630	1	SPRING, THROTTLE LOCKOUT	
14	16340155631	1	IGNITION SWITCH KIT	INCLUDES ITEMS 15-17
15	9154503010	1	SCREW 3X10	
16	16341049231	1	KNOB, SWITCH	
17	89015712330	1	COVER, SWITCH	
18	35121352130	1	GRIP, HANDLE	
19	61027252130	1	CLAMP KIT	INCLUDES ITEMS 20-21
20	90024205028	1	SCREW 5X28	
21	90050000005	1	NUT 5	



030 0008 000

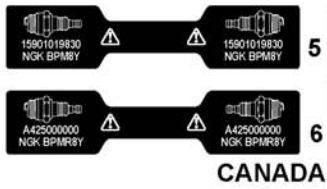
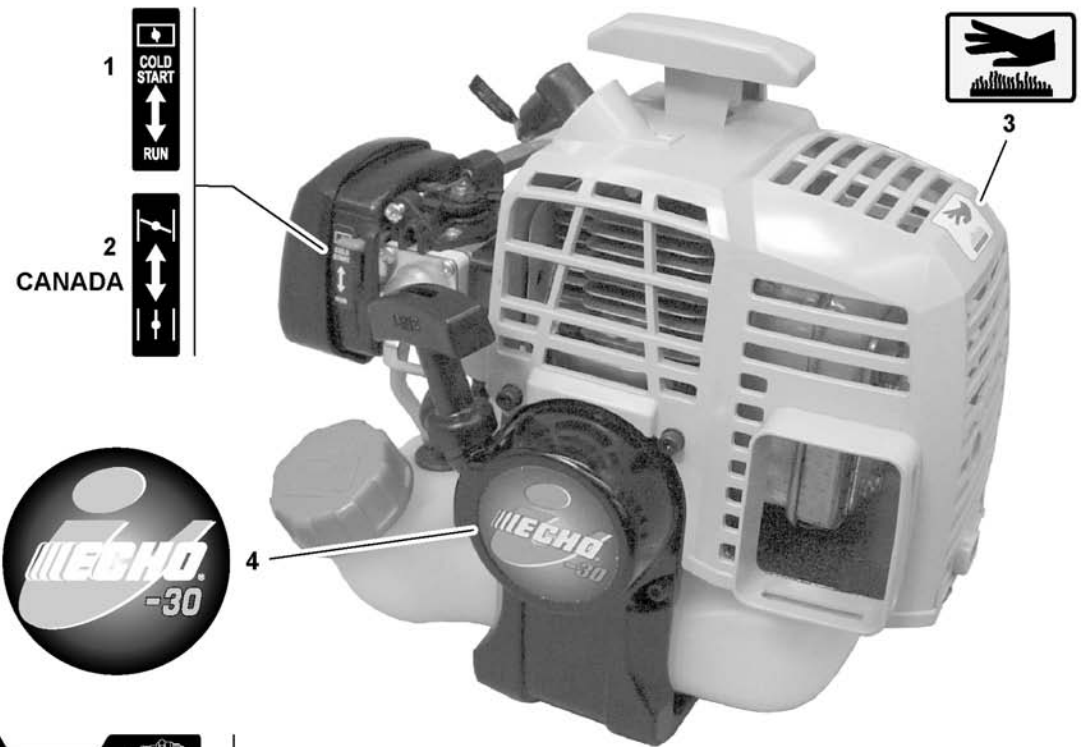
ITEM	PART NUMBER	QTY	DESCRIPTION	REMARKS
1	P021000021	1	FRONT HANDLE ASY	INCLUDES ITEMS 2-9
2	90024205035	4	SCREW 5X35	
3	35121666230	1	GRIP, HANDLE	
4	35120566230	1	HANDLE, FRONT	
5	35123266230	1	BRACKET, HANDLE - UPPER	
6	90060000005	2	WASHER 5	
7	90025305020	2	SCREW 5	
8	35122507130	1	BRACKET, HANDLE - LOWER	
9	90050000005	4	NUT 5	
10	99944200455	1	BAR, BARRIER	



- 7
- 10
- 8
- 11
- 9
- 12

100 0086 00B

ITEM	PART NUMBER	QTY	DESCRIPTION	REMARKS
1	89012152730	1	LABEL - CHOKE	
2	89033252730	1	LABEL - CHOKE	CANADA MODELS
3	89016006361	1	LABEL - CAUTION -- HOT	
4	X502000310	1	LABEL - ECHO	
5	X532000671	1	LABEL - SPARK PLUG -- BPM-8Y	
6	X532000720	1	LABEL - SPARK PLUG -- BPMR-8Y	CANADA MODELS
7	X543000170	1	LABEL - MODEL -- SRM-210	
8	X543000180	1	LABEL - MODEL -- SRM-210SB	
9	X543000190	1	LABEL - MODEL -- SRM-210U	
10	X503001290	1	LABEL - MODEL -- SRM-211	
11	X503001580	1	LABEL - MODEL -- SRM-211SB	
12	X503001690	1	LABEL - MODEL -- SRM-211U	



100 0086 00C

ITEM	PART NUMBER	QTY	DESCRIPTION	REMARKS
1	89012152730	1	LABEL - CHOKE	
2	89033252730	1	LABEL - CHOKE	CANADA MODELS
3	89016006361	1	LABEL - CAUTION -- HOT	
4	X502000150	1	LABEL - ECHO	
5	X532000671	1	LABEL - SPARK PLUG -- BPM-8Y	
6	X532000720	1	LABEL - SPARK PLUG -- BPMR-8Y	CANADA MODELS
7	X543000170	1	LABEL - MODEL -- SRM-210	
8	X543000180	1	LABEL - MODEL -- SRM-210SB	
9	X543000190	1	LABEL - MODEL -- SRM-210U	
10	X503001290	1	LABEL - MODEL -- SRM-211	
11	X503001580	1	LABEL - MODEL -- SRM-211SB	
12	X503001690	1	LABEL - MODEL -- SRM-211U	

Use Gasket Kit	Contains:	Service Number	Description
P021004270		10024242030	GASKET, CRANKCASE
		13001013410	GASKET, INTAKE
		13001042032	GASKET, INTAKE
		14586642031	GASKET, EXHAUST
		V100000080	GASKET, CYLINDER
		V104000360	GASKET, EXHAUST
		V104000420	SHIELD, EXHAUST
		V104000440	GASKET, EXHAUST

300 0031 000

<u>ITEM</u>	<u>PART NUMBER</u>	<u>QTY</u>	<u>DESCRIPTION</u>	<u>REMARKS</u>
1	P021004270	1	GASKET KIT	

RePower Tune-Up Kit	Contains: Service Number	Description
90074C	13031054130	AIR FILTER
	13120507320	FUEL FILTER
	A425000000	SPARK PLUG BPMR-8Y

<u>ITEM</u>	<u>PART NUMBER</u>	<u>QTY</u>	<u>DESCRIPTION</u>	<u>REMARKS</u>
1	90074C	1	TUNE-UP KIT	

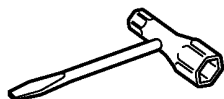
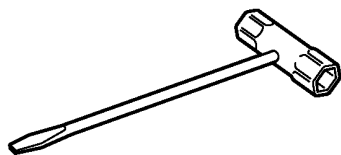
SOCKET WRENCH W/SCREWDRIVER (Also Remove Spark Plugs)

1 - 89541010630 -- 17X19mm

2 - X602000020 -- 17X19mm

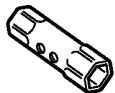
3 - 89541039131 -- 10X19mm

4 - 89541006960 -- 13X19mm



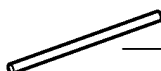
SOCKET WRENCH

5 - X602000031 -- 17X14.5mm



LOCKING BAR

6 - 89751801131 -- 5X120mm



OPEN END WRENCH

7 - 89511200330 -- 8X10mm



8 - 89512220960 -- 17X19mm

9 - 89501505260 -- 10mm



HEX BAR

10 - 89541220960 -- 10mm



L-WRENCH

11 - 89561203430 -- 3mm HEX KEY



12 - 89561000130 -- 4mm HEX KEY



13 - 89561100330 -- 5mm HEX KEY

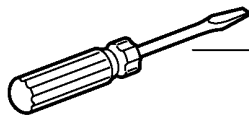


14 - X605000050 -- 3mm TORX

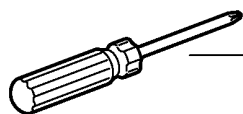


SCREWDRIVER

15 - 89581100130 -- 125mm SLOTTED



16 - 89581203930 -- 50mm PHILLIPS



200 0002 000

ITEM	PART NUMBER	QTY	DESCRIPTION	REMARKS
1	89541010630	1	SOCKET WRENCH/SCREWDRIVER	17X19mm
2	X602000020	1	SOCKET WRENCH/SCREWDRIVER	17X19mm
3	89541039131	1	SOCKET WRENCH/SCREWDRIVER	10X19mm
4	89541006960	1	SOCKET WRENCH/SCREWDRIVER	13X19mm
5	X602000031	1	SOCKET WRENCH	17X14.5mm
6	89751801131	1	LOCKING BAR	5X120mm
7	89511200330	1	OPEN END WRENCH	8X10mm
8	89512220960	1	OPEN END WRENCH	17X19mm
9	89501505260	1	OPEN END WRENCH	10mm
10	89541220960	1	HEX BAR	10mm
11	89561203430	1	HEX KEY	3mm
12	89561000130	1	HEX KEY	4mm
13	89561100330	1	HEX KEY	5mm
14	X605000050	1	TORX KEY	3mm
15	89581100130	1	SCREWDRIVER	SLOTTED HEAD
16	89581203930	1	SCREWDRIVER	PHILLIPS HEAD



Part Number Index

Click The Page Number After Any Part Number To View The Diagram Containing That Part.

Part Number	Page	Part Number	Page	Part Number	Page
-----	7, 9, 11	61030044830	29	A021000721	11
10001311520	25	61031347731	29	A051000680	17
10001411520	25	61031507130	29	A052000180	17
10001504630	25	61036008931	29	A101000000	25
10020452131	25	61040247732	29	A130000430	25
10021242031	25	61041307130	29	A160000181	5
10024242030	25	61043450031	29	A162000050	5
10150352131	21	61046027431	29	A313000350	13
12531061830	9, 11	61060944730	31	A350000220	19
12533942030	9, 11	61090355230	21	A356000030	19
12534252130	9, 11	61091055230	21	A409000160	23
12534413931	9, 11	61092227432	21	A411000140	23
12534452130	9, 11	61092355230	21	A425000000	23
12538108660	9, 11	69901644330	27	C550000031	27
12901152730	7	89012152730	37, 39	C552000110	27
13001013410	7	89015204930	31	P005000100	9, 11
13001042032	7	89015712330	33	P005000120	9
13001744330	7	89016006361	37, 39	P005000180	9
13031054130	7	89016054130	31	P005000190	9, 11
13031305863	7	89022809560	31	P005000250	9, 11
13031306563	7	89031749030	31	P005000270	9, 11
13100455530	19	89033252730	37, 39	P005000280	9, 11
13101655830	19	89501505260	45	P005000370	9
13104528230	19	89511200330	45	P005000550	9, 11
13105156030	19	89512220960	45	P005000570	9
13120507320	19	89541006960	45	P005000690	9
13201256030	19	89541010630	45	P005000700	9
13201309820	19	89541039131	45	P005000930	9, 11
14580642030	13	89541220960	45	P005000950	9, 11
14586240630	13	89561000130	45	P005001000	9, 11
14586642031	13	89561100330	45	P005001240	11
15611054930	23	89561203430	45	P005001260	11
15611240630	23	89581100130	45	P005001270	11
15901019830	23	89581203930	45	P005001330	11
15901103432	23	89751801131	45	P005001620	11
15901201620	23	90010005035	29	P021000021	35
16201052830	23	90010505055	13	P021000991	7
16340155631	33	90014205025	21	P021001101	25
16341049231	33	90016204020	23	P021001392	27
17500056830	21	90016205016	19	P021004270	41
17500548931	21	90016205022	25	P021004480	7
17720054130	15	90016205028	25	P022002100	17
17720244331	15	90016304016	5, 15, 17, 21	P022006510	17
17721544430	15	90022005065	7	P022006830	17
17721844330	15	90023805016	5, 27	P022006850	17
17722042030	15, 17	90023805020	7, 27	P022008260	17
17722610120	15	90024204010	13	P022008270	17
17722742030	15, 17	90024205010	29	P022008280	17
17722806530	15	90024205014	33	SB1065	25
17722827030	17	90024205025	33	V100000080	25
17723412220	15	90024205028	33	V104000440	13
17723644330	15	90024205035	33, 35	V137000030	19
17723661830	17	90025305020	35	V430000730	33
17724611120	17	90050000005	7, 27, 33, 35	V471001190	19
17800352130	33	90060000005	13, 29, 35	V471001200	19
17801052130	33	90060300005	19	V553000010	25
17801252730	33	90070100012	21	V622000020	21, 25
17801352630	33	90070200022	29	X502000150	39
17804342230	33	90070200028	21	X502000310	37
17809052631	33	90070200032	29	X503001290	37, 39
17812750330	33	90070600010	29	X503001580	37, 39
21041752730	7	90070600012	29	X503001690	37, 39
30120029430	33	90074C	43	X505001930	31
35120566230	35	90080000609	29	X532000671	37, 39
35121352130	33	90080796001	21	X532000720	37, 39
35121666230	35	90085506900	29	X543000170	37, 39
35122507130	35	90085806900	29	X543000180	37, 39
35123266230	35	9110704008	5	X543000190	37, 39
61001344730	31	9154503010	33	X602000020	45
61021744730	31	9403536201	25, 29	X602000031	45
61023904130	29	99944200455	35	X605000050	45
61024644730	31	A011000101	25		
61027252130	33	A021000382	9		



Part Description Index

Click The Page Number After Any Part Description To View The Diagram Containing That Part.

B

BAND ASY.....33
 BAR, BARRIER.....35
 BEARING, BALL - 6001.....21
 BEARING, BALL - 609.....29
 BEARING, BALL - 6201.....25, 29
 BEARING, BALL - 6900.....29
 BEARING, BALL - 6900Z.....29
 BEARING, NEEDLE.....25
 BODY, CARBURETOR.....9, 11
 BOLT 5X25.....21
 BOLT 5X35.....29
 BOLT 8X8.....29
 BRACKET, HANDLE - LOWER.....35
 BRACKET, HANDLE - UPPER.....35
 BULB, PURGE.....9, 11
 BUSHING.....23

C

CABLE, THROTTLE.....33
 CAP ASY.....19
 CAP, SPARK PLUG.....23
 CARBURETOR.....7
 CARBURETOR -- RB-K66B.....9
 CARBURETOR -- RB-K70A.....11
 CASE, AIR CLEANER - BLACK.....7
 CASE, AIR CLEANER - GRAY.....7
 CIRCLIP 10.....29
 CIRCLIP 12.....21, 29
 CIRCLIP 22.....29
 CIRCLIP 28.....21
 CIRCLIP 32.....29
 CIRCLIP, PISTON PIN.....25
 CLAMP KIT.....33
 CLIP.....19
 CLIP, STARTER ROPE.....17
 CLUTCH ASY.....21
 COIL, IGNITION.....23
 CONNECTOR, CAP.....19
 CONTROL HANDLE KIT.....33
 COVER, DIAPHRAGM.....9, 11
 COVER, ENGINE.....5
 COVER, SWITCH.....33
 CRANKCASE KIT.....25
 CRANKSHAFT ASY.....25
 CUSHION.....21
 CUTTER, LINE.....27
 CYLINDER.....25

D

DIAPHRAGM, METERING.....9, 11
 DIAPHRAGM, PUMP.....9, 11
 DIAPHRAGM/GASKET KIT.....9, 11
 DOWEL PIN.....21, 25
 DRIVESHAFT - FLEXIBLE.....31
 DRUM.....17
 DRUM, CLUTCH.....21
 DRUM, STARTER.....15

E

E-RING.....9, 11, 17

F

FAN COVER ASY.....21
 FILTER, AIR.....7
 FILTER, FUEL.....19
 FLANGE, SHIELD.....27
 FLYWHEEL.....23
 FRONT HANDLE ASY.....35
 FUEL TANK ASY.....19

G

GASKET KIT.....41
 GASKET, CAP.....19
 GASKET, CRANKCASE.....25
 GASKET, CYLINDER.....25
 GASKET, EXHAUST.....13
 GASKET, INTAKE.....7
 GASKET, METERING.....9, 11
 GASKET, PUMP.....9, 11
 GEAR CASE ASY.....29
 GEAR SET.....29
 GRIP, HANDLE.....33, 35
 GRIP, STARTER.....15, 17
 GROMMET.....19
 GUARD, TOP.....5
 GUIDE, EXHAUST.....13
 GUIDE, ROPE.....15, 17

H

HANDLE, FRONT.....35
 HEX BAR.....45
 HEX KEY.....45
 HOLDER.....21
 HOLDER KIT.....21
 HOUSING, GEAR.....29

I

IGNITION SWITCH KIT.....33
 INSULATOR, INTAKE.....7

J

JET.....9

K

KNOB, SWITCH.....33

L

LABEL - CAUTION -- HOT.....37, 39
 LABEL - CAUTION -- SPANISH.....31
 LABEL - CHOKE.....37, 39
 LABEL - ECHO.....37, 39
 LABEL - HANDLE LOCATION.....31
 LABEL - MODEL -- SRM-210.....37, 39
 LABEL - MODEL -- SRM-210SB.....37, 39
 LABEL - MODEL -- SRM-210U.....37, 39
 LABEL - MODEL -- SRM-211.....37, 39
 LABEL - MODEL -- SRM-211SB.....37, 39
 LABEL - MODEL -- SRM-211U.....37, 39
 LABEL - PIPE LOCATION.....31
 LABEL - SPARK PLUG -- BPM-8Y.....37, 39
 LABEL - SPARK PLUG -- BPMR-8Y.....37, 39
 LABEL, CAUTION - CANADA.....31
 LABEL, CAUTION - US.....31

LEAD, IGNITION.....23
 LEVER, METERING.....9, 11
 LEVER, THROTTLE TRIGGER LOCKOUT.....33
 LID, AIR CLEANER - BLACK.....7
 LID, AIR CLEANER - GRAY.....7
 LINER, FLEXIBLE.....31
 LOCKING BAR.....45
 LOCKOUT, THROTTLE TRIGGER.....33

M

MAIN PIPE ASY.....31
 MUFFLER.....13

N

NEEDLE - HIGH SPEED.....11
 NUT 5.....7, 27, 33, 35
 NUT, CABLE.....9

O

OIL SEAL.....25, 29
 OPEN END WRENCH.....45
 O-RING.....9, 11

P

PAWL, STARTER.....15, 17
 PIN, METERING LEVER.....9, 11
 PIN, PISTON.....25
 PIPE, FUEL - 3X5X180mm.....19
 PIPE, RETURN - 3X6X80mm.....19
 PIPE, VENT - 3X5X70mm.....19
 PISTON KIT.....25
 PLASTIC SHIELD KIT.....27
 PLATE, ADAPTER (UPPER).....29
 PLATE, CAM.....17
 PLATE, PREVENT.....7
 PLUG.....11
 PLUG KIT.....9
 PURGE BASE ASY.....9, 11

R

REPAIR KIT.....9, 11
 RETAINER, PURGE BULB.....9, 11
 RING, PISTON.....25
 ROLLER, GUIDE.....9, 11
 ROPE, STARTER - 3X1000mm.....15
 ROPE, STARTER - 3X700mm.....17
 ROTOR COVER ASY.....9, 11

S

SCREEN, MUFFLER.....13
 SCREW.....15, 17
 SCREW 3X10.....33
 SCREW 4X10.....13
 SCREW 4X16.....5, 15, 17, 21
 SCREW 4X20.....23
 SCREW 4X8.....5
 SCREW 5.....35
 SCREW 5X10.....29
 SCREW 5X14.....33
 SCREW 5X16.....5, 19, 27
 SCREW 5X20.....7, 27
 SCREW 5X22.....25
 SCREW 5X25.....33



Part Description Index (continued)

SCREW 5X28.....25, 33
 SCREW 5X35.....33, 35
 SCREW 5X55.....13
 SCREW 5X65.....7
 SCREW, CABLE ADJUST.....9, 11
 SCREW, DIAPHRAGM COVER.....9, 11
 SCREW, METERING LEVER PIN.....9, 11
 SCREW, PURGE BASE ASY.....9, 11
 SCREW, PURGE BULB RETAINER.....9, 11
 SCREW, ROTOR COVER.....11
 SCREW, ROTOR COVER ASY.....9, 11
 SCREW, THROTTLE ADJUST.....9, 11
 SCREWDRIVER.....45
 SHAFT, P.T.O.....29
 SHIELD - PLASTIC.....27
 SHIELD, EXHAUST.....13
 SHIELD, INTAKE.....7
 SHORT BLOCK.....25
 SOCKET WRENCH.....45
 SOCKET WRENCH/SCREWDRIVER.....45
 SPACER.....19, 29
 SPACER, PISTON PIN.....25
 SPARK PLUG -- BPM-8Y.....23
 SPARK PLUG -- BPMR-8Y.....23
 SPRING, DAMPER.....17
 SPRING, METERING LEVER.....9, 11
 SPRING, PAWL RETURN.....17
 SPRING, RETURN.....15
 SPRING, REWIND.....15, 17
 SPRING, THROTTLE LOCKOUT.....33
 SPRING, THROTTLE RETURN.....33
 STARTER ASY.....15, 17
 STARTER PAWL ASY.....15, 17
 STOPPER.....31
 STRAINER.....9, 11
 SWIVEL.....9, 11

T

TERMINAL, SPARK PLUG CAP.....23
 TORX KEY.....45
 TRIGGER, THROTTLE.....33
 TUBE, INSULATOR.....23
 TUBE, VINYL.....33
 TUNE-UP KIT.....43

V

VALVE, INLET NEEDLE.....9, 11
 VENT ASY.....19

W

WASHER.....13
 WASHER 5.....19, 29, 35
 WASHER, SHIM.....29
 WING BOLT.....7

NOTES



ECHO, INCORPORATED

400 Oakwood Road
Lake Zurich, IL 60047 USA

WWW.ECHO-USA.COM
