



---

## OPTIONAL ATTACHMENTS & ACCESSORIES

### Accessories

35130454230	U-Handle Kit
99944200200	SRM Shoulder Harness Kit
99944200411	20mm Blade Conversion Kit
99944200415	Universal Blade Conversion Kit
99944200455	Barrier Bar
99944200521	U-Handle_Blade Conversion Combo Kit
SRAC-200	Tiller/Cultivator Attachment

### Cutting Heads

21560030	ECHOMATIC Pro Head
21560031	SRM ECHOMATIC Pro Head
21560050	Semi-Auto Head Assembly
21560056	2-Line Rapid Loader Head -- Echo
21560060	SRM Manual Dual Line Head
99944200900	U-Turn Head

# PARTS CATALOG

## SRM-210 Trimmer

**21.2cc**

---

### SERIAL NUMBERS

---

S/N: 10001001 - 10999999

---

**ECHO, INCORPORATED**

400 Oakwood Road Lake Zurich, Illinois 60047 USA

WWW.ECHO-USA.COM



# Table of Contents

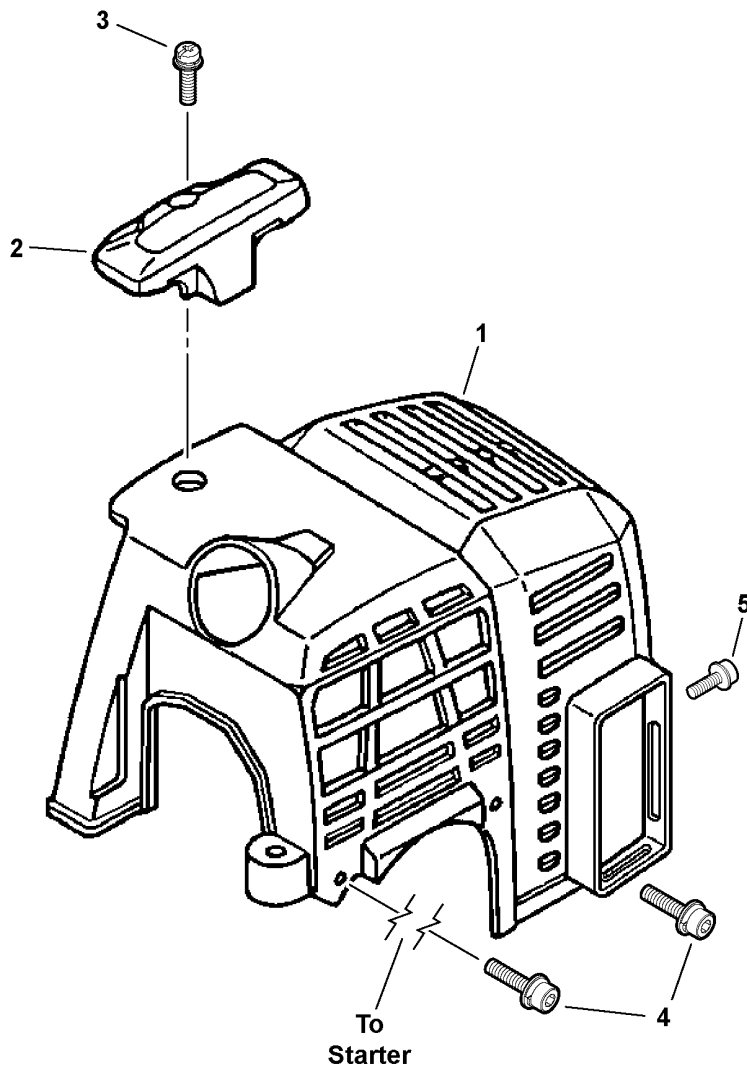
---

Click Any Diagram Description Below To View That Diagram.

## **SRM-210 S/N: 10001001 - 10999999**

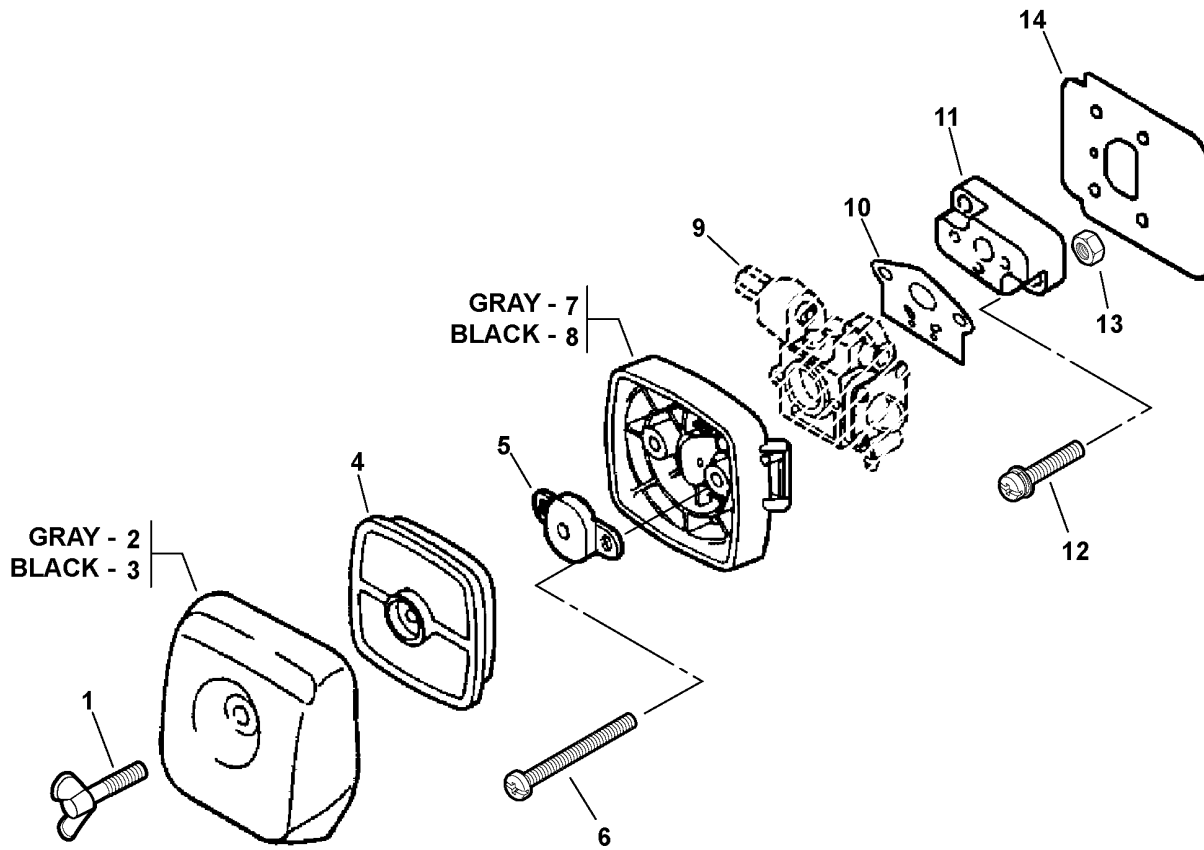
Engine Cover.....	4
Intake.....	6
Carburetor -- RB-K75.....	8
Exhaust S/N: 10001001 - 10001300.....	10
Exhaust S/N: 10001301 - 10999999.....	12
Starter -- i-30.....	14
Fuel System.....	16
Fan Case, Clutch.....	18
Ignition.....	20
Engine, Short Block -- SB1072.....	22
Plastic Shield.....	24
Gear Case S/N: 10001001 - 10001505.....	26
Gear Case S/N: 10001506 - 10011066.....	28
Gear Case S/N: 10011067 - 10999999.....	30
Main Pipe Assembly, Flexible Driveshaft.....	32
Control Handle, Throttle Cable, Ignition Switch.....	34
Front Handle.....	36
Labels.....	38
Gasket Kit.....	40
RePower Tune-Up Kit.....	42
Tools.....	44
Part Number Index.....	46
Part Description Index.....	47

***This Page Intentionally Left Blank***



001 0008 000

ITEM	PART NUMBER	QTY	DESCRIPTION	REMARKS
1	A160000570	1	COVER, ENGINE	
2	A162000050	1	GUARD, TOP	
3	90023805016	1	SCREW 5X16	
4	90016304016	1	SCREW 4X16	
5	9110704008	1	SCREW	

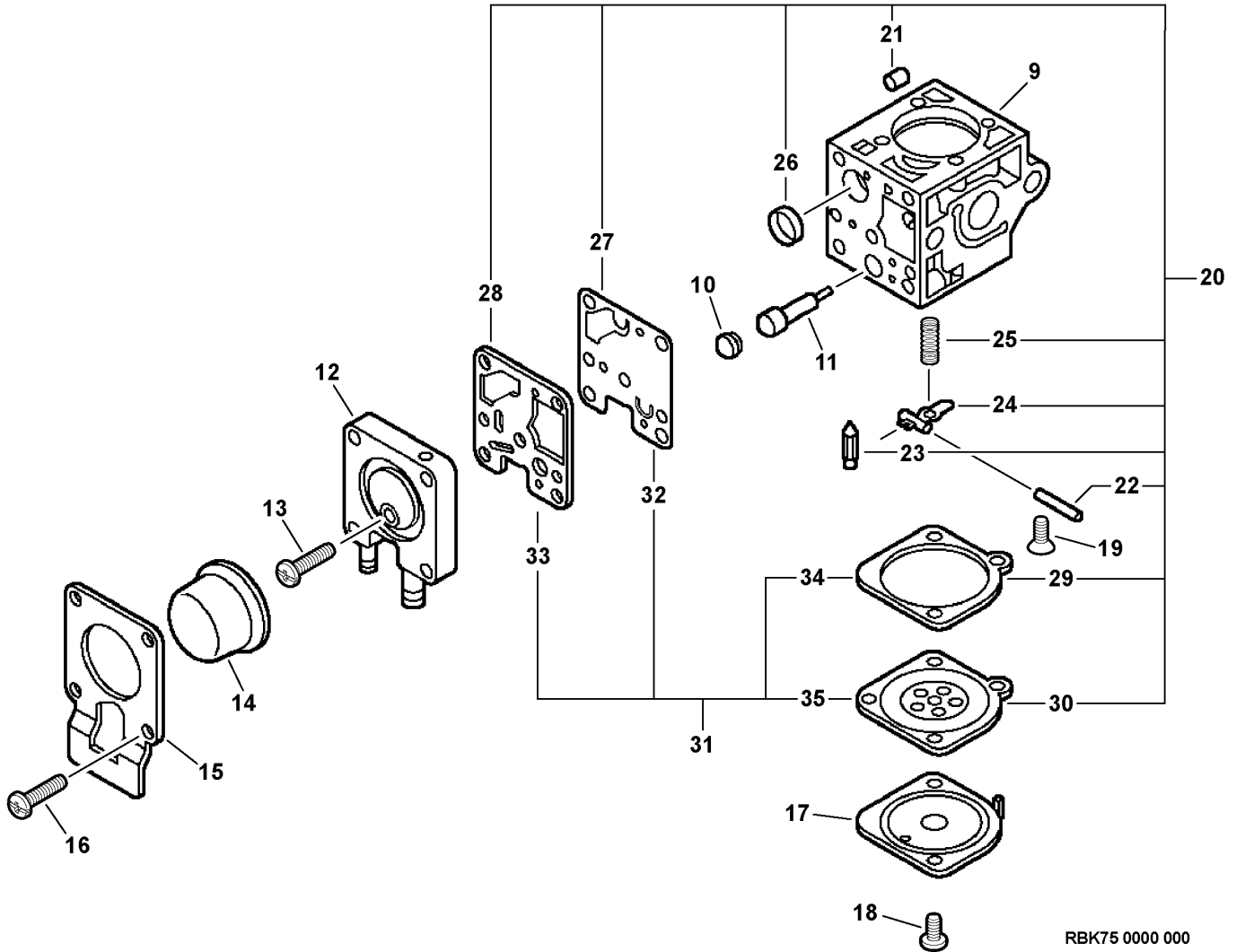
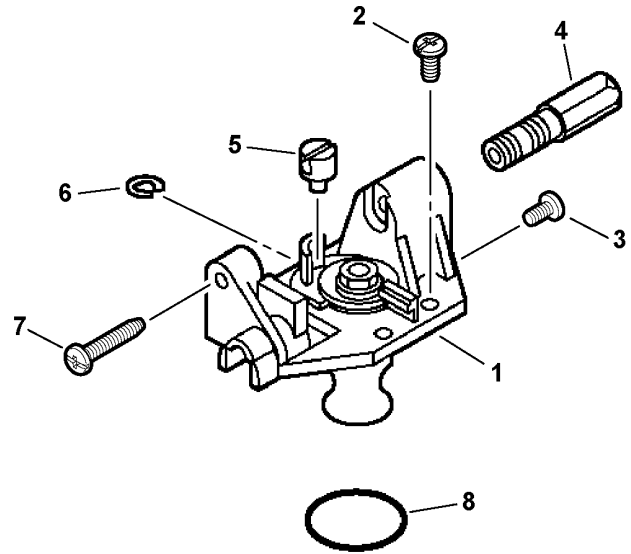


005 0007 00B

ITEM	PART NUMBER	QTY	DESCRIPTION	REMARKS
1	21041752730	1	WING BOLT	
2	13031306563	1	LID, AIR CLEANER -- GRAY	
3	13031305863	1	LID, AIR CLEANER -- BLACK	
4	13031054130	1	FILTER, AIR <sup>1</sup>	
5	12901152730	1	PLATE, PREVENT	
6	90022005065	2	SCREW 5X65	
7	P021000991	1	CASE, AIR CLEANER -- GRAY	
8	P021004480	1	CASE, AIR CLEANER -- BLACK	
9	-----	1	CARBURETOR	See Carburetor Diagram For Additional Information
10	13001013410	1	GASKET, INTAKE <sup>2</sup>	
11	13001744330	1	INSULATOR, INTAKE	
12	90023805020	2	SCREW 5X20	
13	90050000005	2	NUT 5	
14	13001042032	1	SHIELD, INTAKE <sup>2</sup>	

**Footnotes**

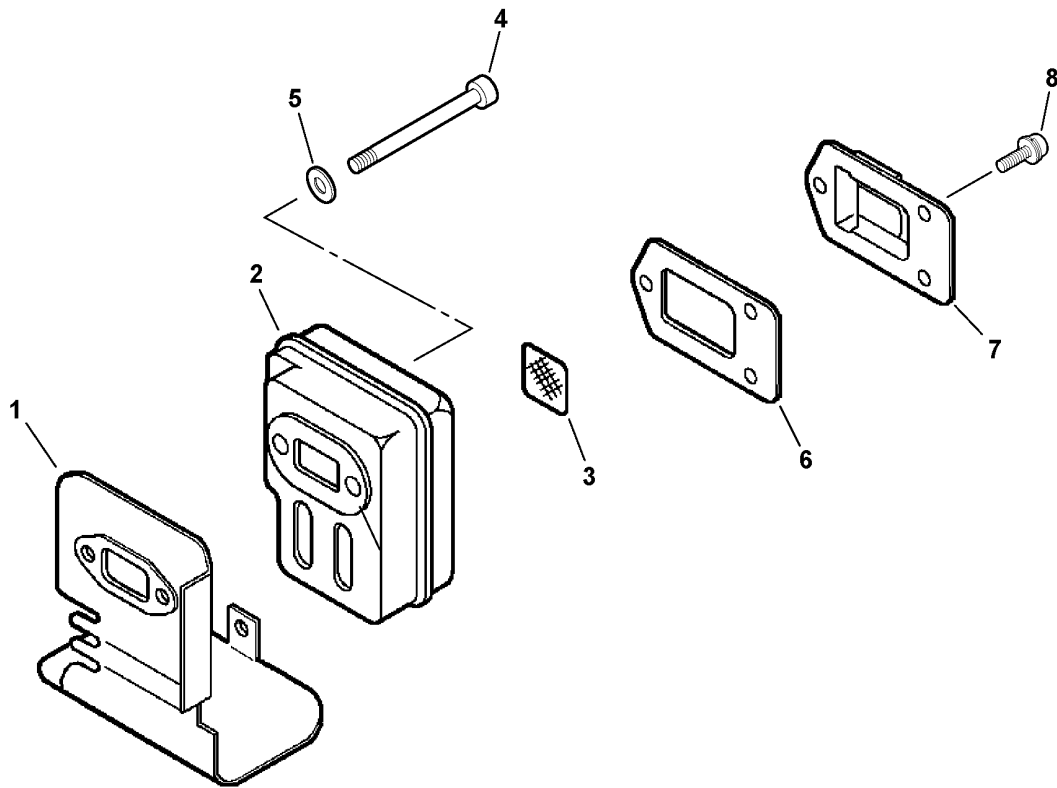
- 1:** Also Included In REPOWER TUNE-UP KIT
- 2:** Also Included In GASKET KIT



RBK75 0000 000



ITEM	PART NUMBER	QTY	DESCRIPTION	REMARKS
	A021000740	1	CARBURETOR -- RB-K75	
1	P005001320	1	ROTOR COVER ASY	
2	12534413931	3	SCREW, ROTOR COVER ASY	
3	12534452130	1	SCREW, ROTOR COVER	
4	P005001330	1	SCREW, CABLE ADJUST	
5	P005001240	1	SWIVEL	
6	P005000190	1	E-RING	
7	P005000100	1	SCREW, THROTTLE ADJUST	
8	P005000280	1	O-RING	
9	-----	1	BODY, CARBURETOR	NOT AVAILABLE SEPARATELY
10	P005001270	1	PLUG	
11	P005001260	1	NEEDLE - HIGH SPEED	
12	P005000930	1	PURGE BASE ASY	
13	P005000270	1	SCREW, PURGE BASE ASY	
14	12538108660	1	BULB, PURGE	
15	P005000250	1	RETAINER, PURGE BULB	
16	12531061830	4	SCREW, PURGE BULB RETAINER	
17	12534252130	1	COVER, DIAPHRAGM	
18	12534452130	3	SCREW, DIAPHRAGM COVER	
19	12533942030	1	SCREW, METERING LEVER PIN	
20	P005001670	1	REPAIR KIT	INCLUDES ITEMS 21-30
21	P005001000	1	ROLLER, GUIDE	
22	-----	1	PIN, METERING LEVER	
23	-----	1	VALVE, INLET NEEDLE	
24	-----	1	LEVER, METERING	
25	-----	1	SPRING, METERING LEVER	
26	-----	1	STRAINER	
27	-----	1	DIAPHRAGM, PUMP	
28	-----	1	GASKET, PUMP	
29	-----	1	GASKET, METERING	
30	-----	1	DIAPHRAGM, METERING	
31	P005001660	1	DIAPHRAGM/GASKET KIT	INCLUDES ITEMS 32-35
32	-----	1	DIAPHRAGM, PUMP	
33	-----	1	GASKET, PUMP	
34	-----	1	GASKET, METERING	
35	-----	1	DIAPHRAGM, METERING	

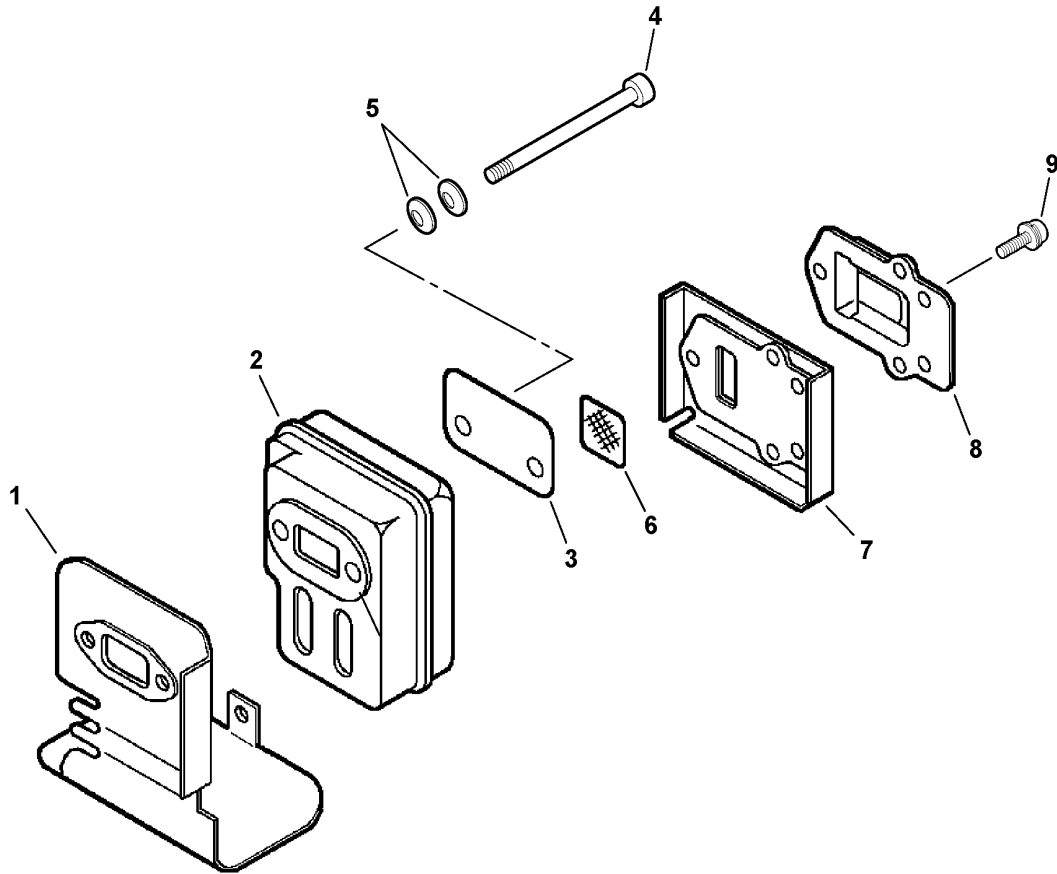


006 0010 000

ITEM	PART NUMBER	QTY	DESCRIPTION	REMARKS
1	V104000500	1	SHIELD, EXHAUST <sup>1</sup>	
2	14580642030	1	MUFFLER	
3	14586240630	1	SCREEN, MUFFLER	
4	90010505055	2	SCREW 5X55	
5	90060000005	2	WASHER	
6	14586642031	1	GASKET, EXHAUST	
7	A313000350	1	GUIDE, EXHAUST <sup>1</sup>	
8	90024204010	3	SCREW 4X10	

**Footnotes**

**1:** Also Included In GASKET KIT

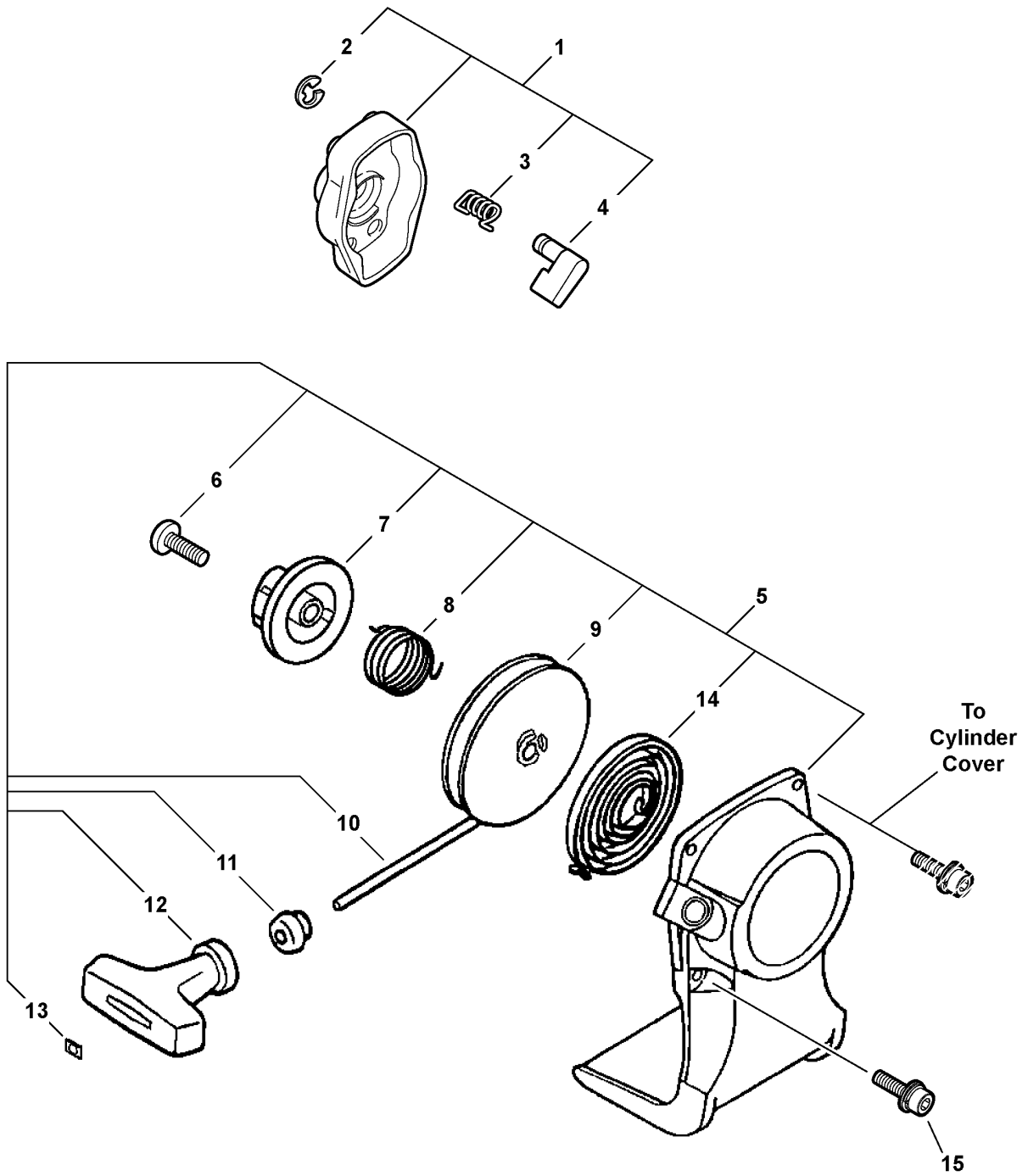


006 0030 000

ITEM	PART NUMBER	QTY	DESCRIPTION	REMARKS
1	V104000500	1	SHIELD, EXHAUST <sup>1</sup>	
2	A300000141	1	MUFFLER	
3	V150000371	1	PLATE, EYE	
4	90010505055	2	SCREW 5X55	
5	V347000000	4	CONICAL WASHER	
6	14586240630	1	SCREEN, MUFFLER	
7	V104000360	1	GASKET, EXHAUST <sup>1</sup>	
8	A313000600	1	GUIDE, EXHAUST	
9	9136704010	5	SCREW 4X10	

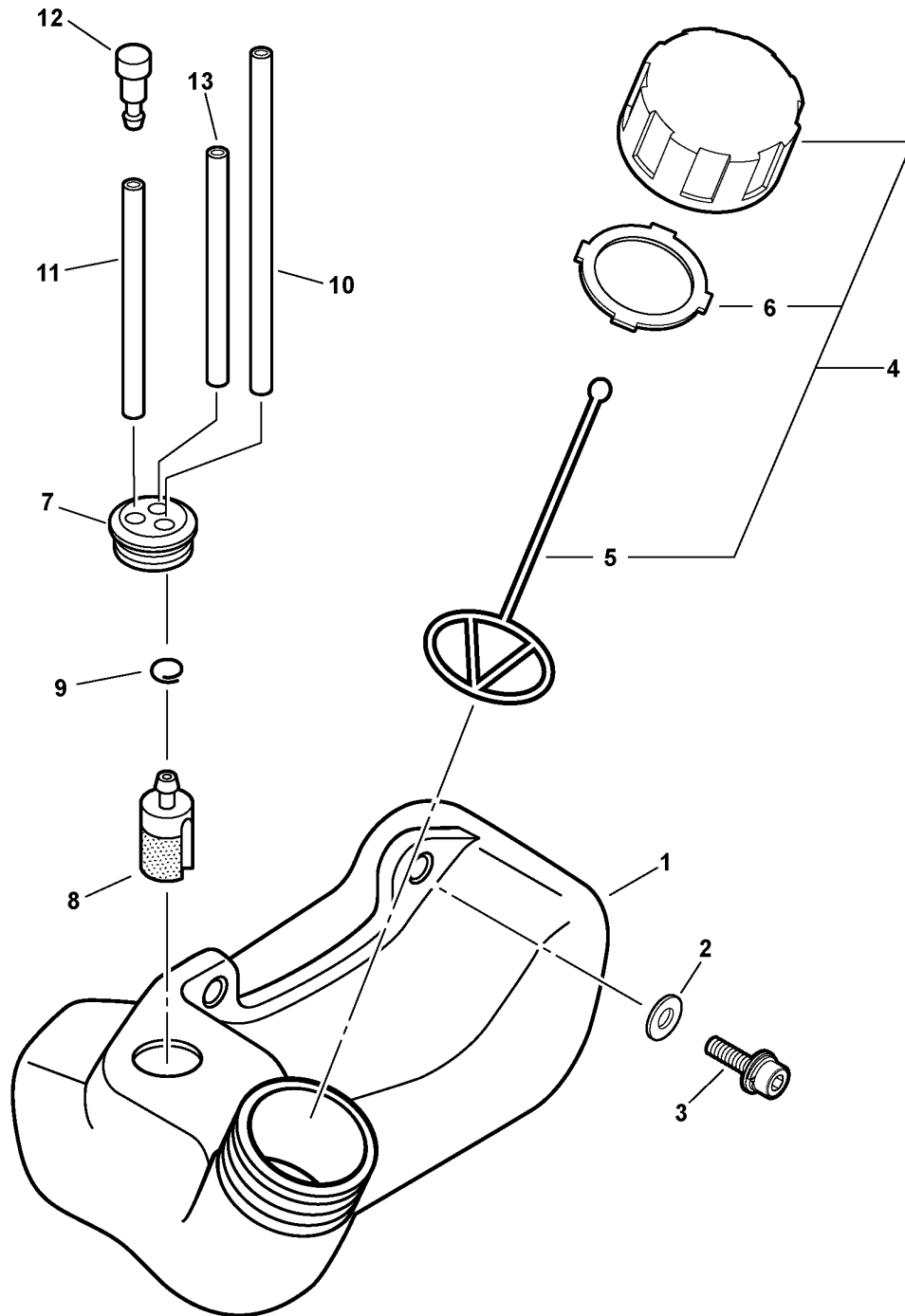
**Footnotes**

**1:** Also Included In GASKET KIT



004 0009 000

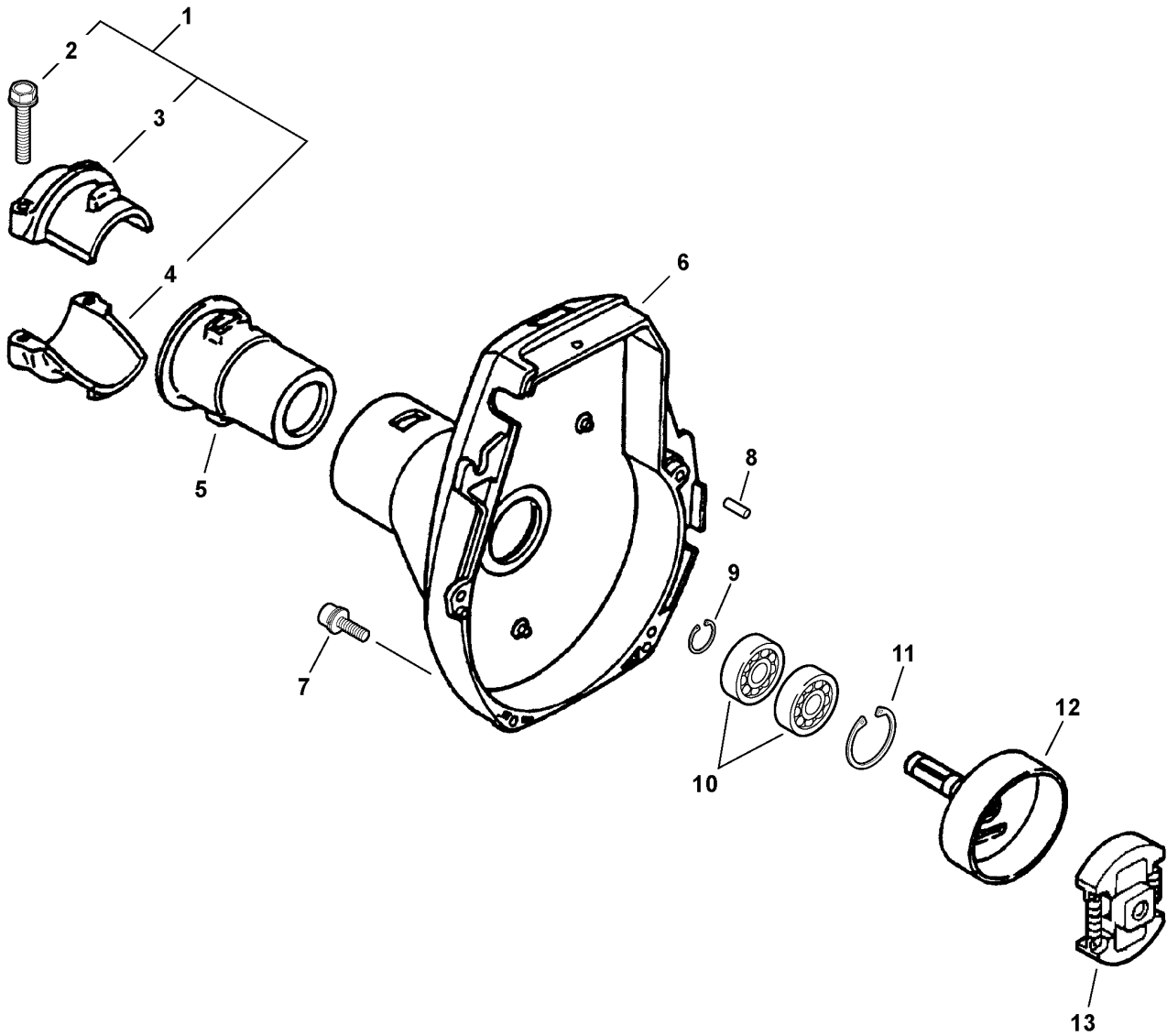
ITEM	PART NUMBER	QTY	DESCRIPTION	REMARKS
1	A052000180	1	STARTER PAWL ASY	INCLUDES ITEMS 2-4
2	P022002100	2	E-RING	
3	P022006510	2	SPRING, PAWL RETURN	
4	P022006850	2	PAWL, STARTER	
5	A051000680	1	STARTER ASY	INCLUDES ITEMS 6-14
6	17723661830	1	SCREW	
7	P022008280	1	PLATE, CAM	
8	P022008270	1	SPRING, DAMPER	
9	P022006830	1	DRUM	
10	P022008260	1	ROPE, STARTER - 3X700mm	REPOWER BULK OPTION: 99944440000
11	17722742030	1	GUIDE, ROPE	
12	17722827030	1	GRIP, STARTER	
13	17724611120	1	CLIP, STARTER ROPE	
14	17722042030	1	SPRING, REWIND	
15	90016304016	4	SCREW 4X16	



002 0006 00B

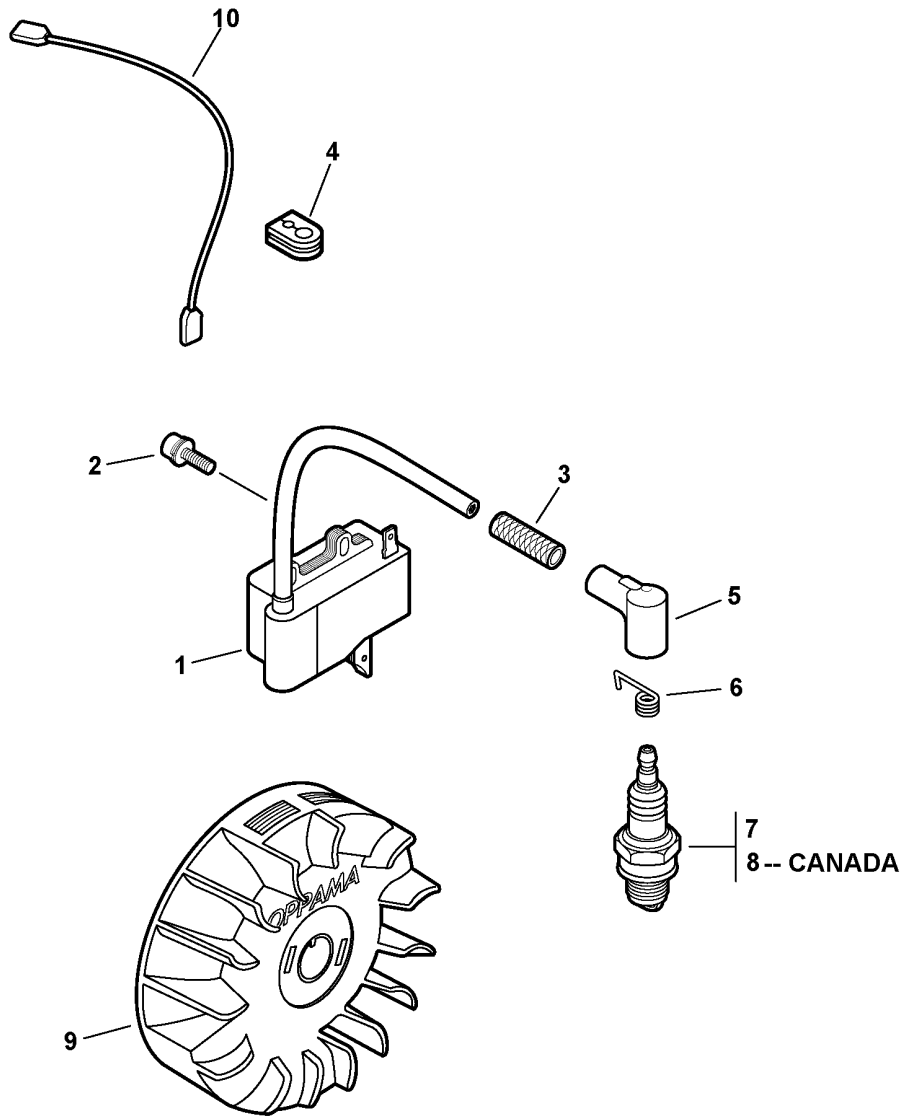


ITEM	PART NUMBER	QTY	DESCRIPTION	REMARKS
1	A35000290	1	TANK, FUEL	
2	90060300005	2	WASHER 5	
3	90016205020	2	SCREW 5X20	
4	13100455530	1	CAP ASY	INCLUDES ITEMS 5-6
5	13105156030	1	CONNECTOR, CAP	
6	13101655830	1	GASKET, CAP	
7	V137000030	1	GROMMET	
8	13120507320	1	FILTER, FUEL	
9	13201309820	1	CLIP	
10	V471001190	1	PIPE, FUEL - 3X5X180mm	REPOWER BULK OPTION: 90014
11	V471001200	1	PIPE, VENT - 3X5X70mm	REPOWER BULK OPTION: 90014
12	A356000030	1	VENT ASY	
13	13201256030	1	PIPE, RETURN - 3X6X80mm	REPOWER BULK OPTION: 90017



003 0005 000

ITEM	PART NUMBER	QTY	DESCRIPTION	REMARKS
1	61090355230	1	HOLDER KIT	INCLUDES ITEMS 2-4
2	90014205025	2	BOLT 5X25	
3	61092227432	1	HOLDER	
4	61092355230	1	HOLDER	
5	61091055230	1	CUSHION	
6	10150352131	1	FAN COVER ASY	
7	90016304016	4	SCREW 4X16	
8	V622000020	2	DOWEL PIN	
9	90070100012	1	CIRCLIP 12	
10	90080796001	2	BEARING, BALL - 6001	
11	90070200028	1	CIRCLIP 28	
12	17500548931	1	DRUM, CLUTCH	
13	17500056830	1	CLUTCH ASY	

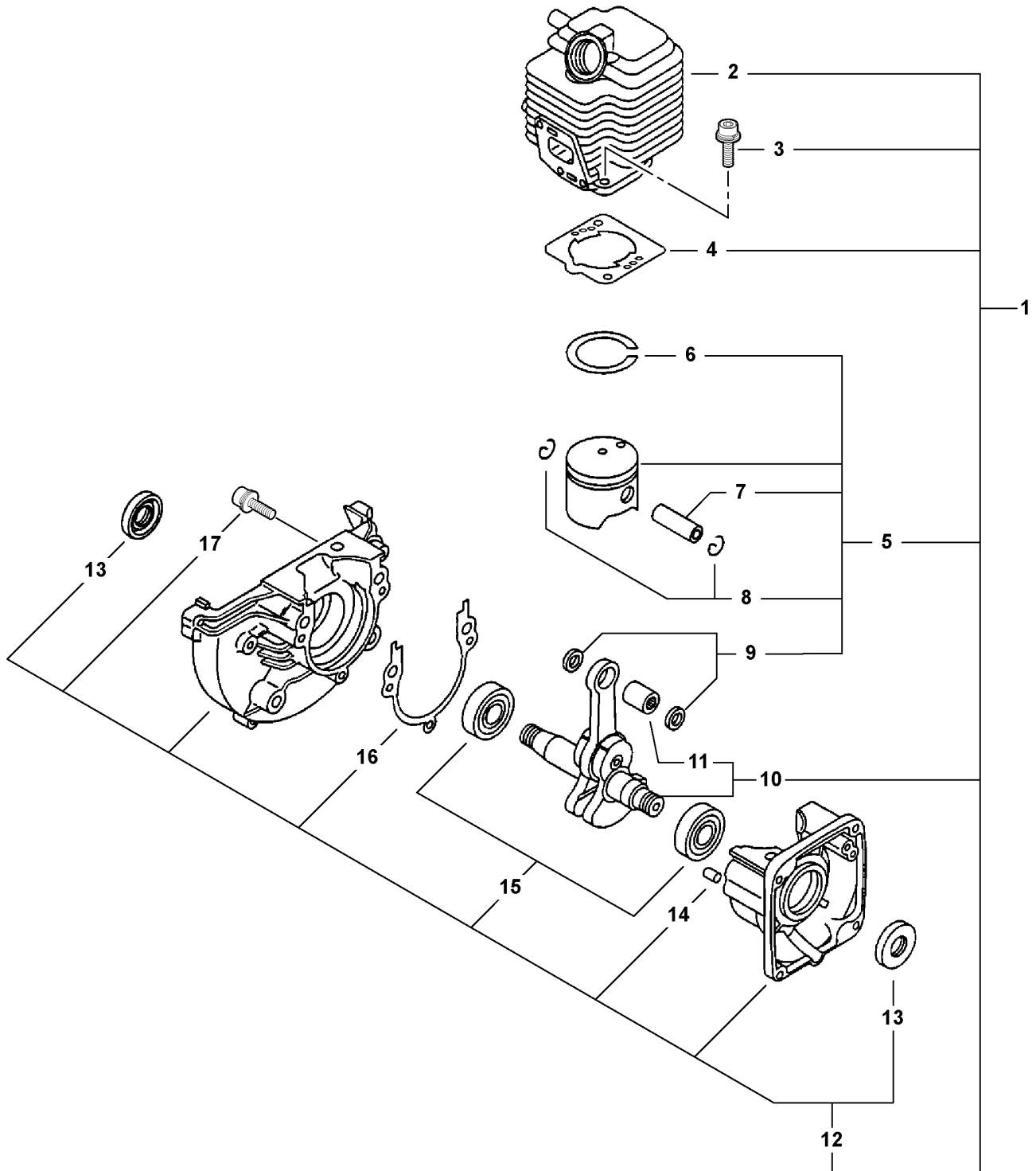


007 0043 00B

ITEM	PART NUMBER	QTY	DESCRIPTION	REMARKS
1	A411000140	1	COIL, IGNITION	
2	90016204020	2	SCREW 4X20	
3	15611054930	1	TUBE, INSULATOR	
4	15611240630	1	BUSHING	
5	15901201620	1	CAP, SPARK PLUG	
6	15901103432	1	TERMINAL, SPARK PLUG CAP	
7	15901019830	1	SPARK PLUG -- BPM-8Y <sup>1</sup>	
8	A425000000	1	SPARK PLUG -- BPMR-8Y <sup>1</sup>	CANADA MODELS
9	A409000210	1	FLYWHEEL	
10	16201052830	1	LEAD, IGNITION	

**Footnotes**

**1:** Also Included In REPOWER TUNE-UP KIT

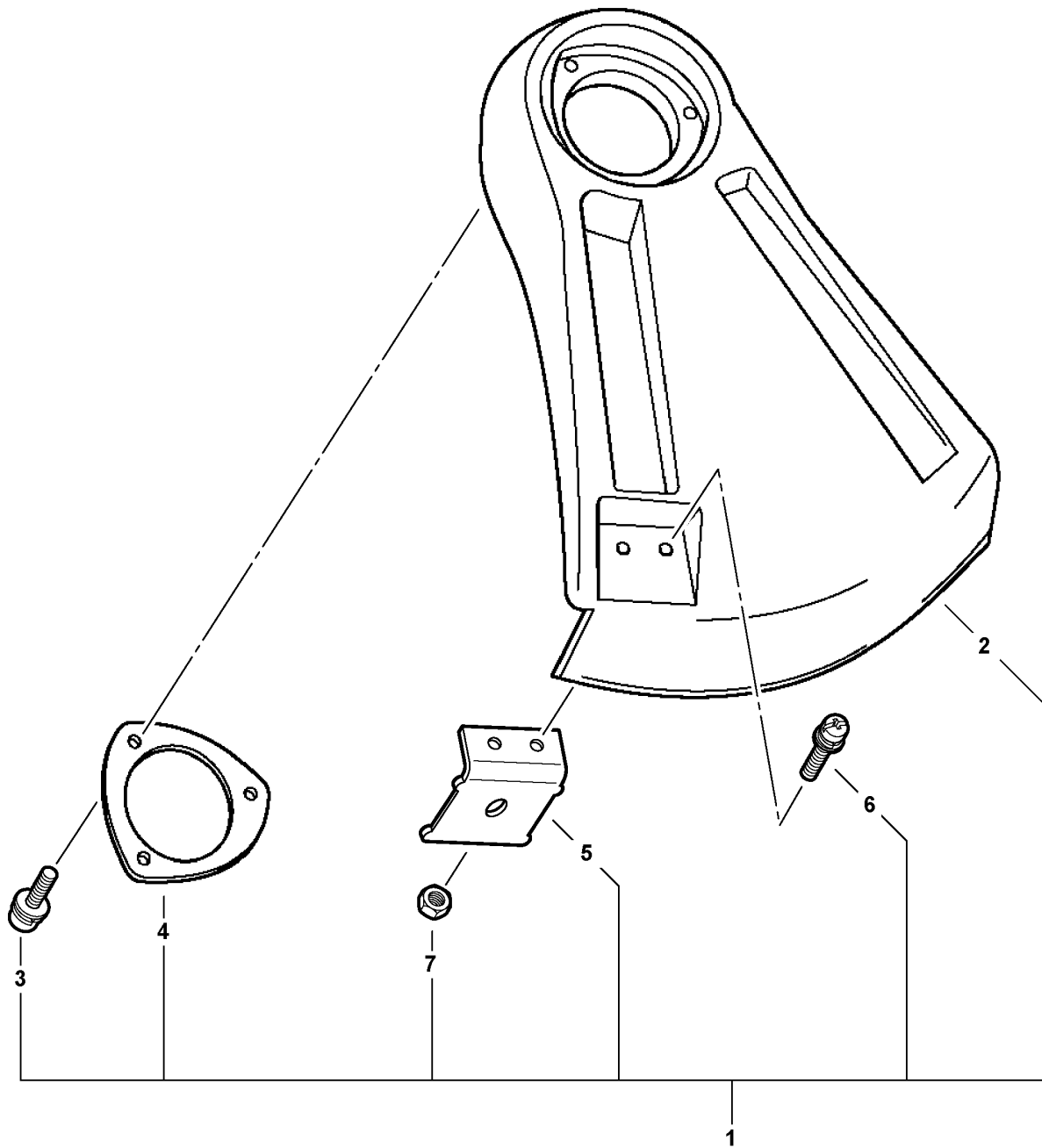


SB1072 0000 000

ITEM	PART NUMBER	QTY	DESCRIPTION	REMARKS
1	SB1072	1	SHORT BLOCK	INCLUDES ITEM 2-17
2	A130000540	1	CYLINDER	
3	90016205022	2	SCREW 5X22	
4	V100000160	1	GASKET, CYLINDER <sup>1</sup>	
5	P021007712	1	PISTON KIT	INCLUDES ITEMS 6-9
6	A101000090	1	RING, PISTON	
7	10001311520	1	PIN, PISTON	
8	10001504630	2	CIRCLIP, PISTON PIN	
9	10001411520	2	SPACER, PISTON PIN	
10	A011000101	1	CRANKSHAFT ASY	INCLUDES ITEM 11
11	V553000010	1	BEARING, NEEDLE	
12	10020452132	1	CRANKCASE KIT	INCLUDES ITEMS 13-17
13	10021242031	2	OIL SEAL	
14	V622000020	2	DOWEL PIN	
15	9403536201	2	BEARING, BALL - 6201	
16	10024242030	1	GASKET, CRANKCASE <sup>1</sup>	
17	90016205028	3	SCREW 5X28	

**Footnotes**

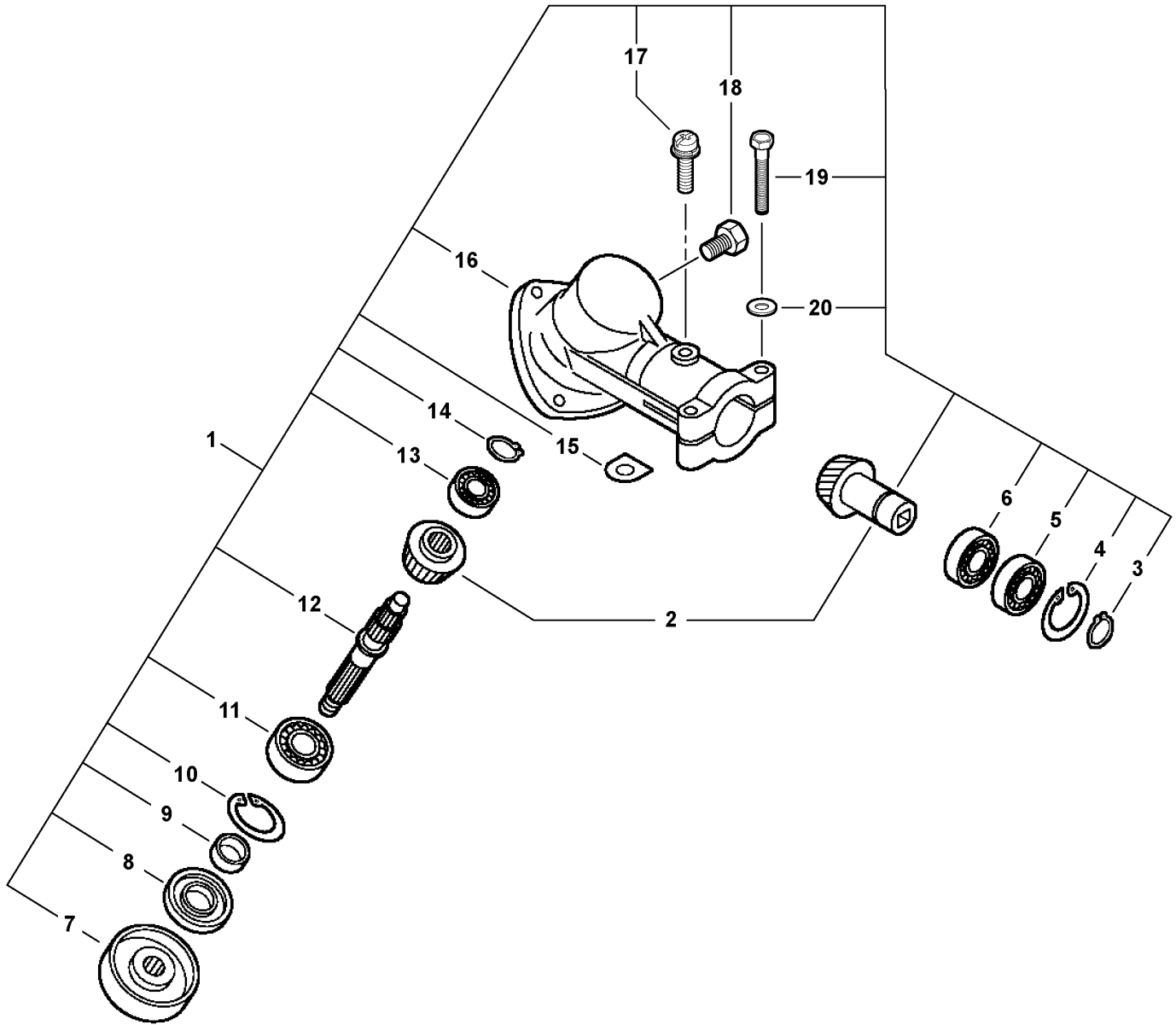
<sup>1</sup>: Also Included In GASKET KIT



034 0001 000

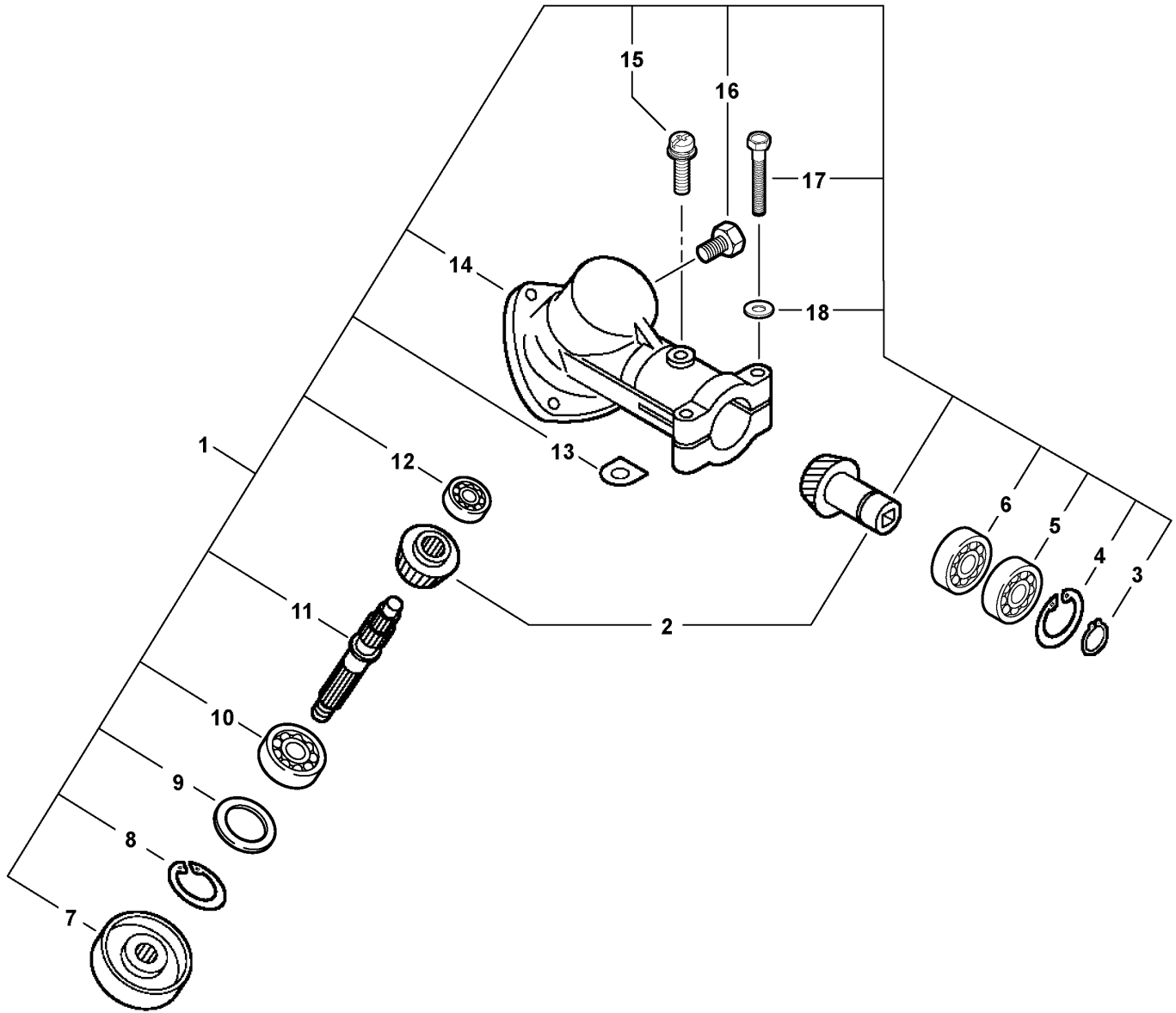


ITEM	PART NUMBER	QTY	DESCRIPTION	REMARKS
1	P021001392	1	PLASTIC SHIELD KIT	INCLUDES ITEMS 2-7
2	C550000031	1	SHIELD - PLASTIC	
3	90023805020	3	SCREW 5X20	
4	C552000110	1	FLANGE, SHIELD	
5	69901644330	1	CUTTER, LINE	
6	90023805016	2	SCREW 5X16	
7	90050000005	2	NUT 5	



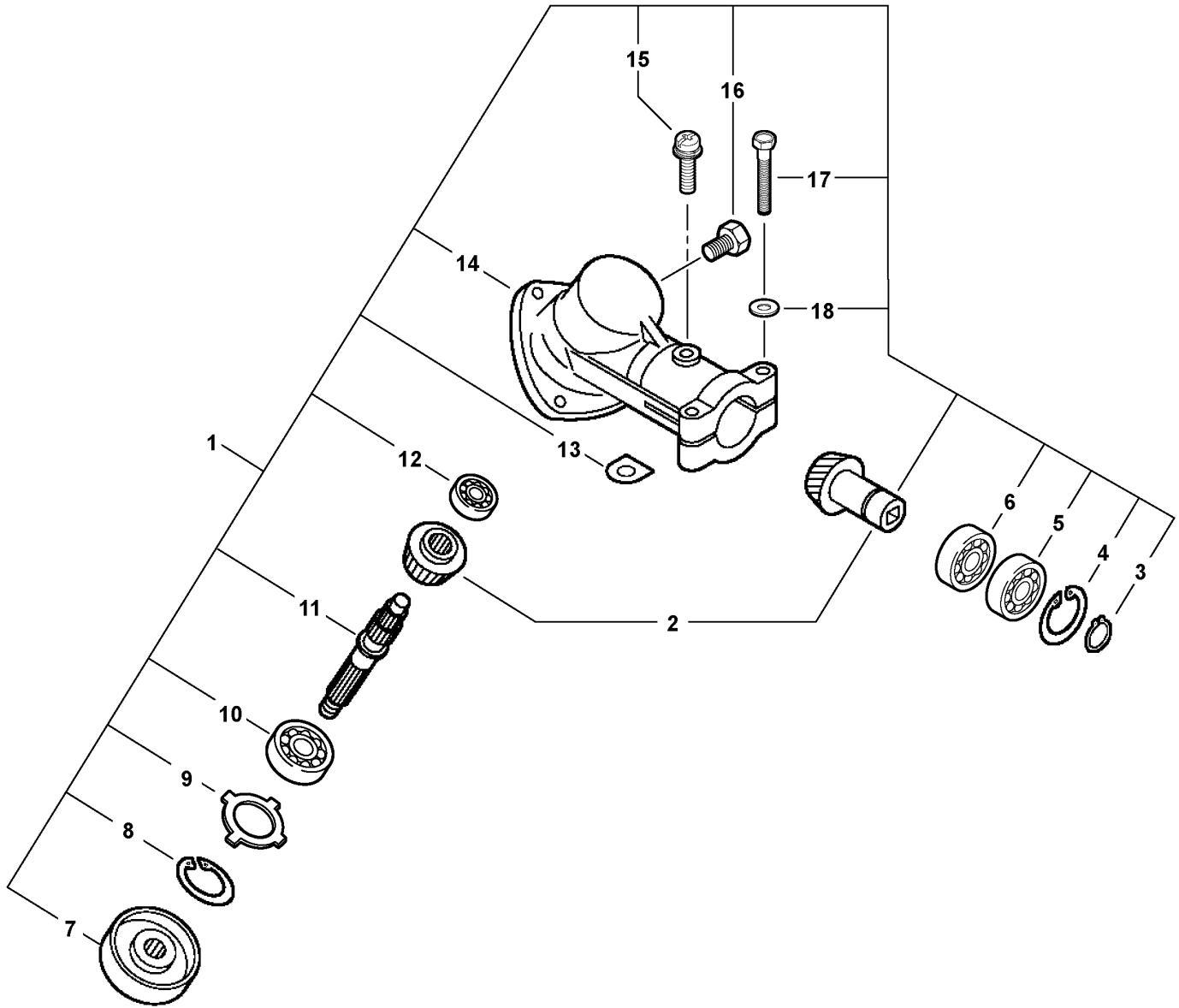
032 0001 000

ITEM	PART NUMBER	QTY	DESCRIPTION	REMARKS
1	61040247732	1	GEAR CASE ASY	INCLUDES ITEMS 2-20
2	61030044830	1	GEAR SET	
3	90070600010	1	CIRCLIP 10	
4	90070200022	1	CIRCLIP 22	
5	90085806900	1	BEARING, BALL - 6900Z	
6	90085506900	1	BEARING, BALL - 6900	
7	61031347731	1	PLATE, ADAPTER (UPPER)	
8	61041307130	1	OIL SEAL	
9	61031507130	1	SPACER	
10	90070200032	1	CIRCLIP 32	
11	9403536201	1	BEARING, BALL - 6201	
12	61036008931	1	SHAFT, P.T.O.	
13	90080000609	1	BEARING, BALL - 609	
14	90070600012	1	CIRCLIP 12	
15	61023904130	2	WASHER, SHIM	
16	61046027431	1	HOUSING, GEAR	
17	90024205010	1	SCREW 5X10	
18	61043450031	1	BOLT 8X8	
19	90010005035	2	BOLT 5X35	
20	90060000005	2	WASHER 5	



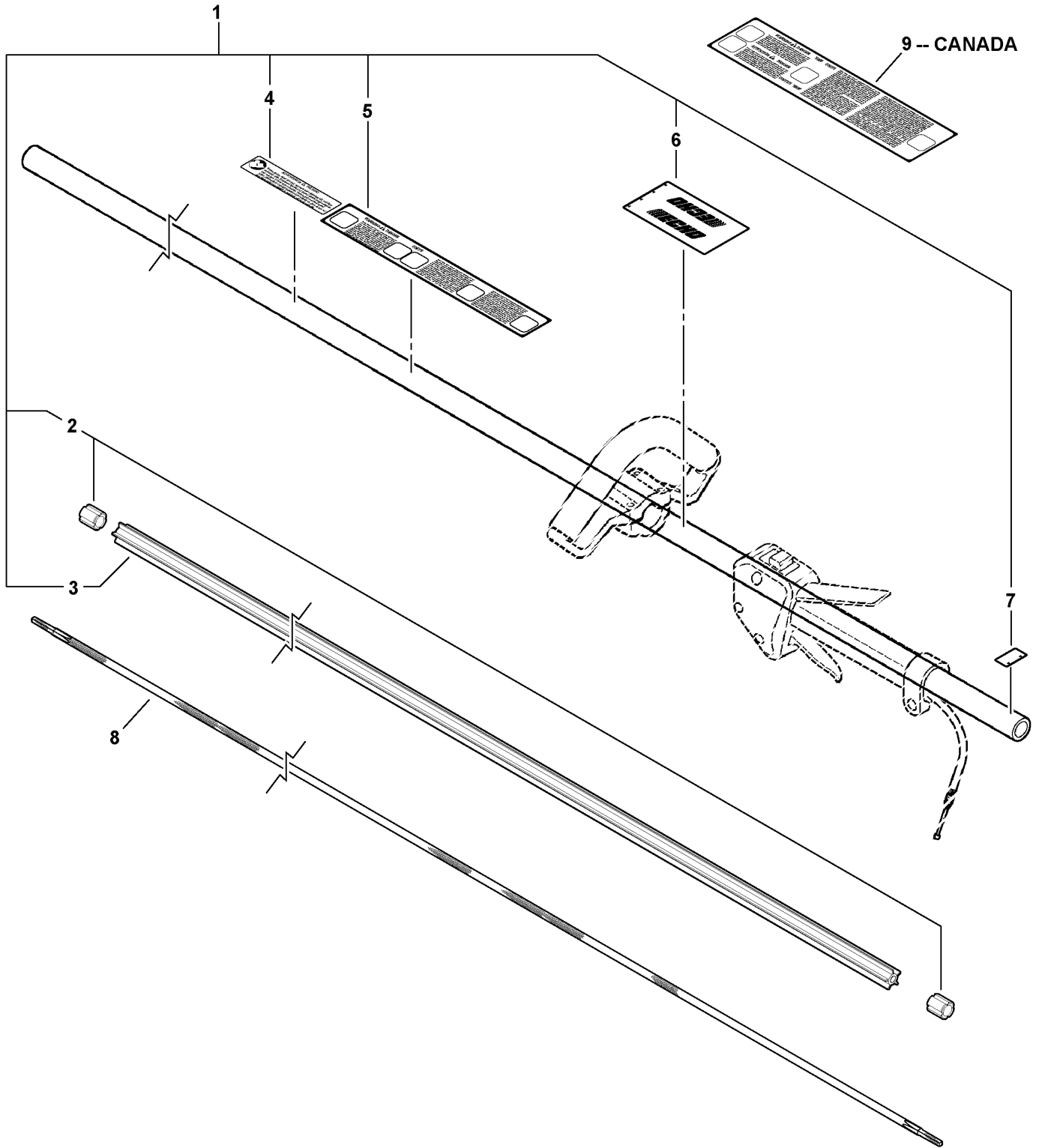
032 0010 BVA

ITEM	PART NUMBER	QTY	DESCRIPTION	REMARKS
1	P021008180	1	GEAR HOUSING ASY	INCLUDES ITEMS 2-18
2	61030044830	1	GEAR SET	
3	90070600010	1	CIRCLIP 10	
4	90070200022	1	CIRCLIP 22	
5	9406306900	1	BEARING, BALL 6900Z	
6	9406006900	1	BEARING, BALL 6900	
7	C535000210	1	PLATE, ADAPTER - UPPER	
8	90070200032	1	CIRCLIP 32	
9	V340000130	1	WASHER	
10	90081206201	1	BEARING, BALL 6201	
11	C534000270	1	SHAFT, P.T.O.	
12	9406000609	1	BEARING, BALL 609	
13	61023904130	2	SHIM WASHER	
14	C531000310	1	HOUSING, GEAR	
15	90024205010	1	SCREW 5X10	
16	61043450031	1	BOLT 8X8	
17	90010005035	2	BOLT 5X35	
18	90060000005	2	WASHER 5	



032 0010 0VA

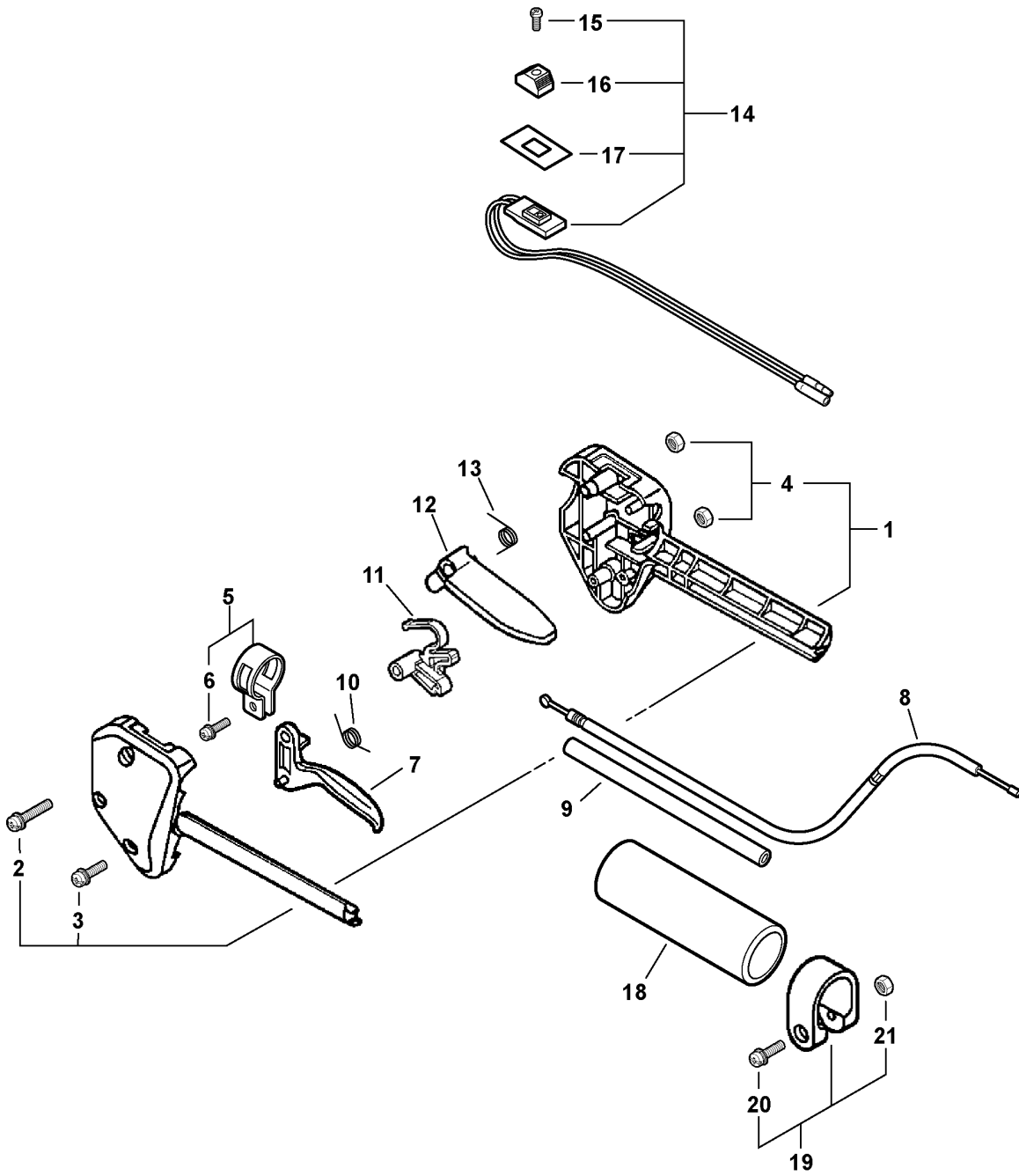
ITEM	PART NUMBER	QTY	DESCRIPTION	REMARKS
1	P021008181	1	GEAR HOUSING ASY	INCLUDES ITEMS 2-18
2	61030044830	1	GEAR SET	
3	90070600010	1	CIRCLIP 10	
4	90070200022	1	CIRCLIP 22	
5	9406306900	1	BEARING, BALL 6900Z	
6	9406006900	1	BEARING, BALL 6900	
7	C535000210	1	PLATE, ADAPTER - UPPER	
8	90070200032	1	CIRCLIP 32	
9	V340000180	1	WASHER	
10	90081206201	1	BEARING, BALL 6201	
11	C534000270	1	SHAFT, P.T.O.	
12	9406000609	1	BEARING, BALL 609	
13	61023904130	2	SHIM WASHER	
14	C531000310	1	HOUSING, GEAR	
15	90024205010	1	SCREW 5X10	
16	61043450031	1	BOLT 8X8	
17	90010005035	2	BOLT 5X35	
18	90060000005	2	WASHER 5	



031 0009 000

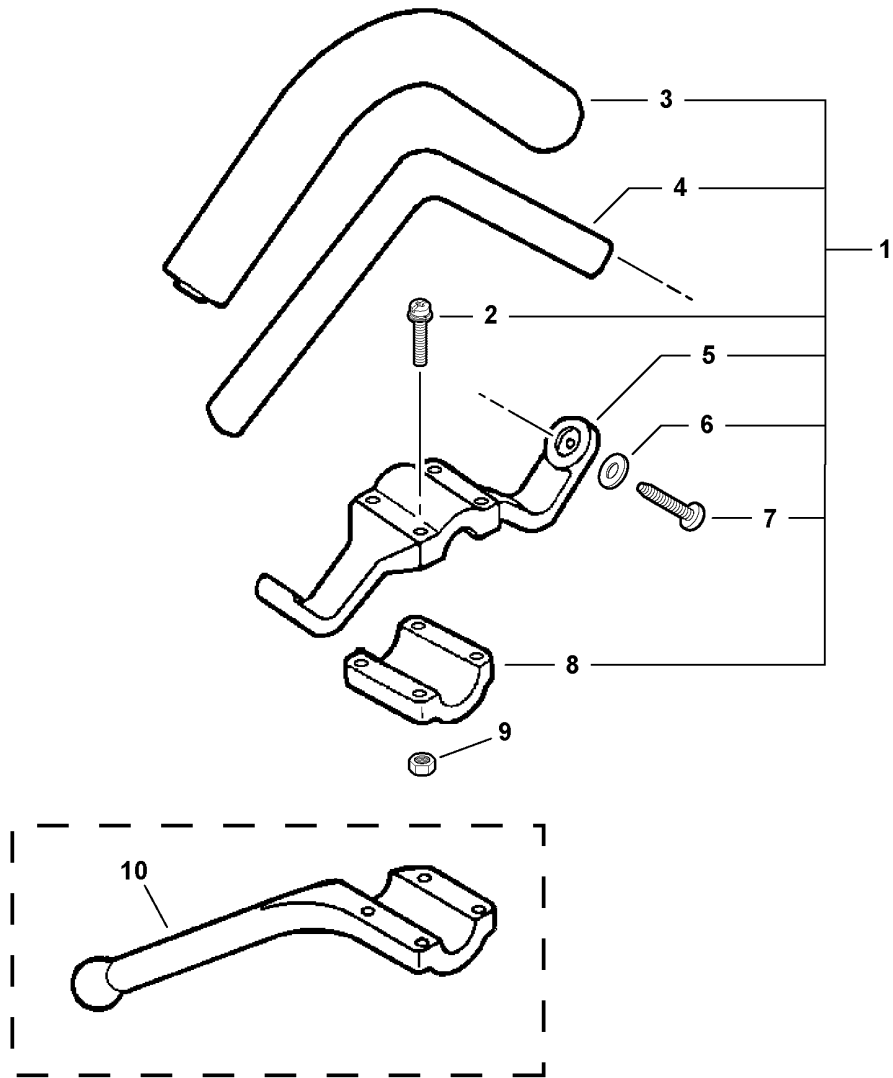


ITEM	PART NUMBER	QTY	DESCRIPTION	REMARKS
1	61060944730	1	MAIN PIPE ASY	INCLUDES ITEMS 2-7
2	61024644730	2	STOPPER	
3	61021744730	1	LINER, FLEXIBLE	
4	89022809560	1	LABEL - CAUTION -- SPANISH	
5	89016054130	1	LABEL, CAUTION - US	
6	X505001930	1	LABEL - HANDLE LOCATION	
7	89015204930	1	LABEL - PIPE LOCATION	
8	61001344730	1	DRIVESHAFT - FLEXIBLE	
9	89031749030	1	LABEL, CAUTION - CANADA	



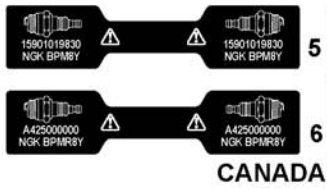
030 0035 000

ITEM	PART NUMBER	QTY	DESCRIPTION	REMARKS
1	17800352130	1	CONTROL HANDLE KIT	INCLUDES ITEMS 2-4
2	90024205035	1	SCREW 5X35	
3	90024205025	1	SCREW 5X25	
4	90050000005	2	NUT 5	
5	30120029430	1	BAND ASY	INCLUDES ITEM 6
6	90024205014	1	SCREW 5X14	
7	17801052130	1	TRIGGER, THROTTLE	
8	V430000730	1	CABLE, THROTTLE	
9	17812750330	1	TUBE, VINYL	
10	17804342230	1	SPRING, THROTTLE RETURN	
11	17801252730	1	LOCKOUT, THROTTLE TRIGGER	
12	17809052631	1	LEVER, THROTTLE TRIGGER LOCKOUT	
13	17801352630	1	SPRING, THROTTLE LOCKOUT	
14	16340155631	1	IGNITION SWITCH KIT	INCLUDES ITEMS 15-17
15	9154503010	1	SCREW 3X10	
16	16341049231	1	KNOB, SWITCH	
17	89015712330	1	COVER, SWITCH	
18	35121352130	1	GRIP, HANDLE	
19	61027252130	1	CLAMP KIT	INCLUDES ITEMS 20-21
20	90024205028	1	SCREW 5X28	
21	90050000005	1	NUT 5	



030 0008 000

ITEM	PART NUMBER	QTY	DESCRIPTION	REMARKS
1	P021000021	1	FRONT HANDLE ASY	INCLUDES ITEMS 2-9
2	90024205035	4	SCREW 5X35	
3	35121666230	1	GRIP, HANDLE	
4	35120566230	1	HANDLE, FRONT	
5	35123266230	1	BRACKET, HANDLE - UPPER	
6	90060000005	2	WASHER 5	
7	90025305020	2	SCREW 5	
8	35122507130	1	BRACKET, HANDLE - LOWER	
9	90050000005	4	NUT 5	
10	99944200455	1	BAR, BARRIER	



100 0086 00C

ITEM	PART NUMBER	QTY	DESCRIPTION	REMARKS
1	89012152730	1	LABEL - CHOKE	
2	89033252730	1	LABEL - CHOKE	CANADA MODELS
3	89016006361	1	LABEL - CAUTION -- HOT	
4	X502000150	1	LABEL - ECHO	
5	X532000671	1	LABEL - SPARK PLUG -- BPM-8Y	
6	X532000720	1	LABEL - SPARK PLUG -- BPMR-8Y	CANADA MODELS
7	X543000170	1	LABEL - MODEL -- SRM-210	
8	X543000180	1	LABEL - MODEL -- SRM-210SB	
9	X543000190	1	LABEL - MODEL -- SRM-210U	
10	X503001290	1	LABEL - MODEL -- SRM-211	
11	X503001580	1	LABEL - MODEL -- SRM-211SB	
12	X503001690	1	LABEL - MODEL -- SRM-211U	

<b>Use Gasket Kit</b>	<b>Contains:</b>	<b>Service Number</b>	<b>Description</b>
P021008260		10024242030	GASKET, CRANKCASE
		13001013410	GASKET, INTAKE
		13001042032	GASKET, INTAKE
		14586642031	GASKET, EXHAUST
		V100000160	GASKET, CYLINDER
		V104000360	GASKET, EXHAUST
		V104000500	SHIELD, EXHAUST

300 0009 000



---

<u>ITEM</u>	<u>PART NUMBER</u>	<u>QTY</u>	<u>DESCRIPTION</u>	<u>REMARKS</u>
1	P021008260	1	GASKET KIT	

---

<b>RePower Tune-Up Kit</b>	<b>Contains: Service Number</b>	<b>Description</b>
90074C	13031054130	AIR FILTER
	13120507320	FUEL FILTER
	A425000000	SPARK PLUG BPMR-8Y

---

<u>ITEM</u>	<u>PART NUMBER</u>	<u>QTY</u>	<u>DESCRIPTION</u>	<u>REMARKS</u>
1	90074C	1	TUNE-UP KIT	

---

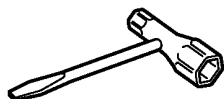
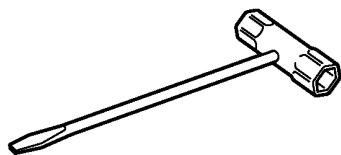
**SOCKET WRENCH W/SCREWDRIVER (Also Remove Spark Plugs)**

1 - 89541010630 -- 17X19mm

2 - X602000020 -- 17X19mm

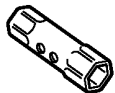
3 - 89541039131 -- 10X19mm

4 - 89541006960 -- 13X19mm



**SOCKET WRENCH**

5 - X602000031 -- 17X14.5mm



**LOCKING BAR**

6 - 89751801131 -- 5X120mm



**OPEN END WRENCH**

7 - 89511200330 -- 8X10mm



8 - 89512220960 -- 17X19mm

9 - 89501505260 -- 10mm



**HEX BAR**

10 - 89541220960 -- 10mm



**L-WRENCH**

11 - 89561203430 -- 3mm HEX KEY



12 - 89561000130 -- 4mm HEX KEY



13 - 89561100330 -- 5mm HEX KEY

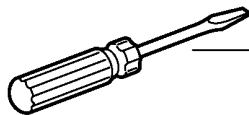


14 - X605000050 -- 3mm TORX

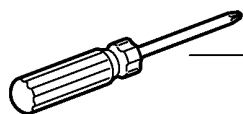


**SCREWDRIVER**

15 - 89581100130 -- 125mm SLOTTED



16 - 89581203930 -- 50mm PHILLIPS



200 0002 000

ITEM	PART NUMBER	QTY	DESCRIPTION	REMARKS
1	89541010630	1	SOCKET WRENCH/SCREWDRIVER	17X19mm
2	X602000020	1	SOCKET WRENCH/SCREWDRIVER	17X19mm
3	89541039131	1	SOCKET WRENCH/SCREWDRIVER	10X19mm
4	89541006960	1	SOCKET WRENCH/SCREWDRIVER	13X19mm
5	X602000031	1	SOCKET WRENCH	17X14.5mm
6	89751801131	1	LOCKING BAR	5X120mm
7	89511200330	1	OPEN END WRENCH	8X10mm
8	89512220960	1	OPEN END WRENCH	17X19mm
9	89501505260	1	OPEN END WRENCH	10mm
10	89541220960	1	HEX BAR	10mm
11	89561203430	1	HEX KEY	3mm
12	89561000130	1	HEX KEY	4mm
13	89561100330	1	HEX KEY	5mm
14	X605000050	1	TORX KEY	3mm
15	89581100130	1	SCREWDRIVER	SLOTTED HEAD
16	89581203930	1	SCREWDRIVER	PHILLIPS HEAD



# Part Number Index

Click The Page Number After Any Part Number To View The Diagram Containing That Part.

Part Number	Page	Part Number	Page	Part Number	Page
-----	7, 9	61090355230	19	A160000570	5
10001311520	23	61091055230	19	A162000050	5
10001411520	23	61092227432	19	A300000141	13
10001504630	23	61092355230	19	A313000350	11
10020452132	23	69901644330	25	A313000600	13
10021242031	23	89012152730	39	A350000290	17
10024242030	23	89015204930	33	A356000030	17
10150352131	19	89015712330	35	A409000210	21
12531061830	9	89016006361	39	A411000140	21
12533942030	9	89016054130	33	A425000000	21
12534252130	9	89022809560	33	C531000310	29, 31
12534413931	9	89031749030	33	C534000270	29, 31
12534452130	9	89033252730	39	C535000210	29, 31
12538108660	9	89501505260	45	C550000031	25
12901152730	7	89511200330	45	C552000110	25
13001013410	7	89512220960	45	P005000100	9
13001042032	7	89541006960	45	P005000190	9
13001744330	7	89541010630	45	P005000250	9
13031054130	7	89541039131	45	P005000270	9
13031305863	7	89541220960	45	P005000280	9
13031306563	7	89561000130	45	P005000930	9
13100455530	17	89561100330	45	P005001000	9
13101655830	17	89561203430	45	P005001240	9
13105156030	17	89581100130	45	P005001260	9
13120507320	17	89581203930	45	P005001270	9
13201256030	17	89751801131	45	P005001320	9
13201309820	17	90010005035	27, 29, 31	P005001330	9
14580642030	11	90010505055	11, 13	P005001660	9
14586240630	11, 13	90014205025	19	P005001670	9
14586642031	11	90016204020	21	P021000021	37
15611054930	21	90016205020	17	P021000991	7
15611240630	21	90016205022	23	P021001392	25
15901019830	21	90016205028	23	P021004480	7
15901103432	21	90016304016	5, 15, 19	P021007712	23
15901201620	21	90022005065	7	P021008180	29
16201052830	21	90023805016	5, 25	P021008181	31
16340155631	35	90023805020	7, 25	P021008260	41
16341049231	35	90024204010	11	P022002100	15
17500056830	19	90024205010	27, 29, 31	P022006510	15
17500548931	19	90024205014	35	P022006830	15
17722042030	15	90024205025	35	P022006850	15
17722742030	15	90024205028	35	P022008260	15
17722827030	15	90024205035	35, 37	P022008270	15
17723661830	15	90025305020	37	P022008280	15
17724611120	15	90050000005	7, 25, 35, 37	SB1072	23
17800352130	35	90060000005	11, 27, 29, 31, 37	V100000160	23
17801052130	35	90060300005	17	V104000360	13
17801252730	35	90070100012	19	V104000500	11, 13
17801352630	35	90070200022	27, 29, 31	V137000030	17
17804342230	35	90070200028	19	V150000371	13
17809052631	35	90070200032	27, 29, 31	V340000130	29
17812750330	35	90070600010	27, 29, 31	V340000180	31
21041752730	7	90070600012	27	V347000000	13
30120029430	35	90074C	43	V430000730	35
35120566230	37	90080000609	27	V471001190	17
35121352130	35	90080796001	19	V471001200	17
35121666230	37	90081206201	29, 31	V553000010	23
35122507130	37	90085506900	27	V622000020	19, 23
35123266230	37	90085806900	27	X502000150	39
61001344730	33	9110704008	5	X503001290	39
61021744730	33	9136704010	13	X503001580	39
61023904130	27, 29, 31	9154503010	35	X503001690	39
61024644730	33	9403536201	23, 27	X505001930	33
61027252130	35	9406000609	29, 31	X532000671	39
61030044830	27, 29, 31	9406006900	29, 31	X532000720	39
61031347731	27	9406306900	29, 31	X543000170	39
61031507130	27	99944200455	37	X543000180	39
61036008931	27	A011000101	23	X543000190	39
61040247732	27	A021000740	9	X602000020	45
61041307130	27	A051000680	15	X602000031	45
61043450031	27, 29, 31	A052000180	15	X605000050	45
61046027431	27	A101000090	23		
61060944730	33	A130000540	23		



# Part Description Index

Click The Page Number After Any Part Description To View The Diagram Containing That Part.

## B

BAND ASY.....35  
 BAR, BARRIER.....37  
 BEARING, BALL - 6001.....19  
 BEARING, BALL - 609.....27  
 BEARING, BALL - 6201.....23, 27  
 BEARING, BALL - 6900.....27  
 BEARING, BALL - 6900Z.....27  
 BEARING, BALL 609.....29, 31  
 BEARING, BALL 6201.....29, 31  
 BEARING, BALL 6900.....29, 31  
 BEARING, BALL 6900Z.....29, 31  
 BEARING, NEEDLE.....23  
 BODY, CARBURETOR.....9  
 BOLT 5X25.....19  
 BOLT 5X35.....27, 29, 31  
 BOLT 8X8.....27, 29, 31  
 BRACKET, HANDLE - LOWER.....37  
 BRACKET, HANDLE - UPPER.....37  
 BULB, PURGE.....9  
 BUSHING.....21

## C

CABLE, THROTTLE.....35  
 CAP ASY.....17  
 CAP, SPARK PLUG.....21  
 CARBURETOR.....7  
 CARBURETOR -- RB-K75.....9  
 CASE, AIR CLEANER -- BLACK.....7  
 CASE, AIR CLEANER -- GRAY.....7  
 CIRCLIP 10.....27, 29, 31  
 CIRCLIP 12.....19, 27  
 CIRCLIP 22.....27, 29, 31  
 CIRCLIP 28.....19  
 CIRCLIP 32.....27, 29, 31  
 CIRCLIP, PISTON PIN.....23  
 CLAMP KIT.....35  
 CLIP.....17  
 CLIP, STARTER ROPE.....15  
 CLUTCH ASY.....19  
 COIL, IGNITION.....21  
 CONICAL WASHER.....13  
 CONNECTOR, CAP.....17  
 CONTROL HANDLE KIT.....35  
 COVER, DIAPHRAGM.....9  
 COVER, ENGINE.....5  
 COVER, SWITCH.....35  
 CRANKCASE KIT.....23  
 CRANKSHAFT ASY.....23  
 CUSHION.....19  
 CUTTER, LINE.....25  
 CYLINDER.....23

## D

DIAPHRAGM, METERING.....9  
 DIAPHRAGM, PUMP.....9  
 DIAPHRAGM/GASKET KIT.....9  
 DOWEL PIN.....19, 23  
 DRIVESHAFT - FLEXIBLE.....33  
 DRUM.....15  
 DRUM, CLUTCH.....19

## E

E-RING.....9, 15

## F

FAN COVER ASY.....19  
 FILTER, AIR.....7  
 FILTER, FUEL.....17  
 FLANGE, SHIELD.....25  
 FLYWHEEL.....21  
 FRONT HANDLE ASY.....37

## G

GASKET KIT.....41  
 GASKET, CAP.....17  
 GASKET, CRANKCASE.....23  
 GASKET, CYLINDER.....23  
 GASKET, EXHAUST.....11, 13  
 GASKET, INTAKE.....7  
 GASKET, METERING.....9  
 GASKET, PUMP.....9  
 GEAR CASE ASY.....27  
 GEAR HOUSING ASY.....29, 31  
 GEAR SET.....27, 29, 31  
 GRIP, HANDLE.....35, 37  
 GRIP, STARTER.....15  
 GROMMET.....17  
 GUARD, TOP.....5  
 GUIDE, EXHAUST.....11, 13  
 GUIDE, ROPE.....15

## H

HANDLE, FRONT.....37  
 HEX BAR.....45  
 HEX KEY.....45  
 HOLDER.....19  
 HOLDER KIT.....19  
 HOUSING, GEAR.....27, 29, 31

## I

IGNITION SWITCH KIT.....35  
 INSULATOR, INTAKE.....7

## K

KNOB, SWITCH.....35

## L

LABEL - CAUTION -- HOT.....39  
 LABEL - CAUTION -- SPANISH.....33  
 LABEL - CHOKE.....39  
 LABEL - ECHO.....39  
 LABEL - HANDLE LOCATION.....33  
 LABEL - MODEL -- SRM-210.....39  
 LABEL - MODEL -- SRM-210SB.....39  
 LABEL - MODEL -- SRM-210U.....39  
 LABEL - MODEL -- SRM-211.....39  
 LABEL - MODEL -- SRM-211SB.....39  
 LABEL - MODEL -- SRM-211U.....39  
 LABEL - PIPE LOCATION.....33  
 LABEL - SPARK PLUG -- BPM-8Y.....39  
 LABEL - SPARK PLUG -- BPMR-8Y.....39  
 LABEL, CAUTION - CANADA.....33  
 LABEL, CAUTION - US.....33

LEAD, IGNITION.....21  
 LEVER, METERING.....9  
 LEVER, THROTTLE TRIGGER LOCKOUT.....35  
 LID, AIR CLEANER -- BLACK.....7  
 LID, AIR CLEANER -- GRAY.....7  
 LINER, FLEXIBLE.....33  
 LOCKING BAR.....45  
 LOCKOUT, THROTTLE TRIGGER.....35

## M

MAIN PIPE ASY.....33  
 MUFFLER.....11, 13

## N

NEEDLE - HIGH SPEED.....9  
 NUT 5.....7, 25, 35, 37

## O

OIL SEAL.....23, 27  
 OPEN END WRENCH.....45  
 O-RING.....9

## P

PAWL, STARTER.....15  
 PIN, METERING LEVER.....9  
 PIN, PISTON.....23  
 PIPE, FUEL - 3X5X180mm.....17  
 PIPE, RETURN - 3X6X80mm.....17  
 PIPE, VENT - 3X5X70mm.....17  
 PISTON KIT.....23  
 PLASTIC SHIELD KIT.....25  
 PLATE, ADAPTER - UPPER.....29, 31  
 PLATE, ADAPTER (UPPER).....27  
 PLATE, CAM.....15  
 PLATE, EYE.....13  
 PLATE, PREVENT.....7  
 PLUG.....9  
 PURGE BASE ASY.....9

## R

REPAIR KIT.....9  
 RETAINER, PURGE BULB.....9  
 RING, PISTON.....23  
 ROLLER, GUIDE.....9  
 ROPE, STARTER - 3X700mm.....15  
 ROTOR COVER ASY.....9

## S

SCREEN, MUFFLER.....11, 13  
 SCREW.....5, 15  
 SCREW 3X10.....35  
 SCREW 4X10.....11, 13  
 SCREW 4X16.....5, 15, 19  
 SCREW 4X20.....21  
 SCREW 5.....37  
 SCREW 5X10.....27, 29, 31  
 SCREW 5X14.....35  
 SCREW 5X16.....5, 25  
 SCREW 5X20.....7, 17, 25  
 SCREW 5X22.....23  
 SCREW 5X25.....35  
 SCREW 5X28.....23, 35  
 SCREW 5X35.....35, 37



# Part Description Index (continued)

---

SCREW 5X55.....11, 13  
 SCREW 5X65.....7  
 SCREW, CABLE ADJUST.....9  
 SCREW, DIAPHRAGM COVER.....9  
 SCREW, METERING LEVER PIN.....9  
 SCREW, PURGE BASE ASY.....9  
 SCREW, PURGE BULB RETAINER.....9  
 SCREW, ROTOR COVER.....9  
 SCREW, ROTOR COVER ASY.....9  
 SCREW, THROTTLE ADJUST.....9  
 SCREWDRIVER.....45  
 SHAFT, P.T.O.....27, 29, 31  
 SHIELD - PLASTIC.....25  
 SHIELD, EXHAUST.....11, 13  
 SHIELD, INTAKE.....7  
 SHIM WASHER.....29, 31  
 SHORT BLOCK.....23  
 SOCKET WRENCH.....45  
 SOCKET WRENCH/SCREWDRIVER.....45  
 SPACER.....27  
 SPACER, PISTON PIN.....23  
 SPARK PLUG -- BPM-8Y.....21  
 SPARK PLUG -- BPMR-8Y.....21  
 SPRING, DAMPER.....15  
 SPRING, METERING LEVER.....9  
 SPRING, PAWL RETURN.....15  
 SPRING, REWIND.....15  
 SPRING, THROTTLE LOCKOUT.....35  
 SPRING, THROTTLE RETURN.....35  
 STARTER ASY.....15  
 STARTER PAWL ASY.....15  
 STOPPER.....33  
 STRAINER.....9  
 SWIVEL.....9

## T

TANK, FUEL.....17  
 TERMINAL, SPARK PLUG CAP.....21  
 TORX KEY.....45  
 TRIGGER, THROTTLE.....35  
 TUBE, INSULATOR.....21  
 TUBE, VINYL.....35  
 TUNE-UP KIT.....43

## V

VALVE, INLET NEEDLE.....9  
 VENT ASY.....17

## W

WASHER.....11, 29, 31  
 WASHER 5.....17, 27, 29, 31, 37  
 WASHER, SHIM.....27  
 WING BOLT.....7



## **NOTES**



**ECHO, INCORPORATED**

400 Oakwood Road  
Lake Zurich, IL 60047 USA

[WWW.ECHO-USA.COM](http://WWW.ECHO-USA.COM)

---