



**CHIPPER/SHREDDER
PARTS CATALOG**

MODELS: SH-3000

SH-5000

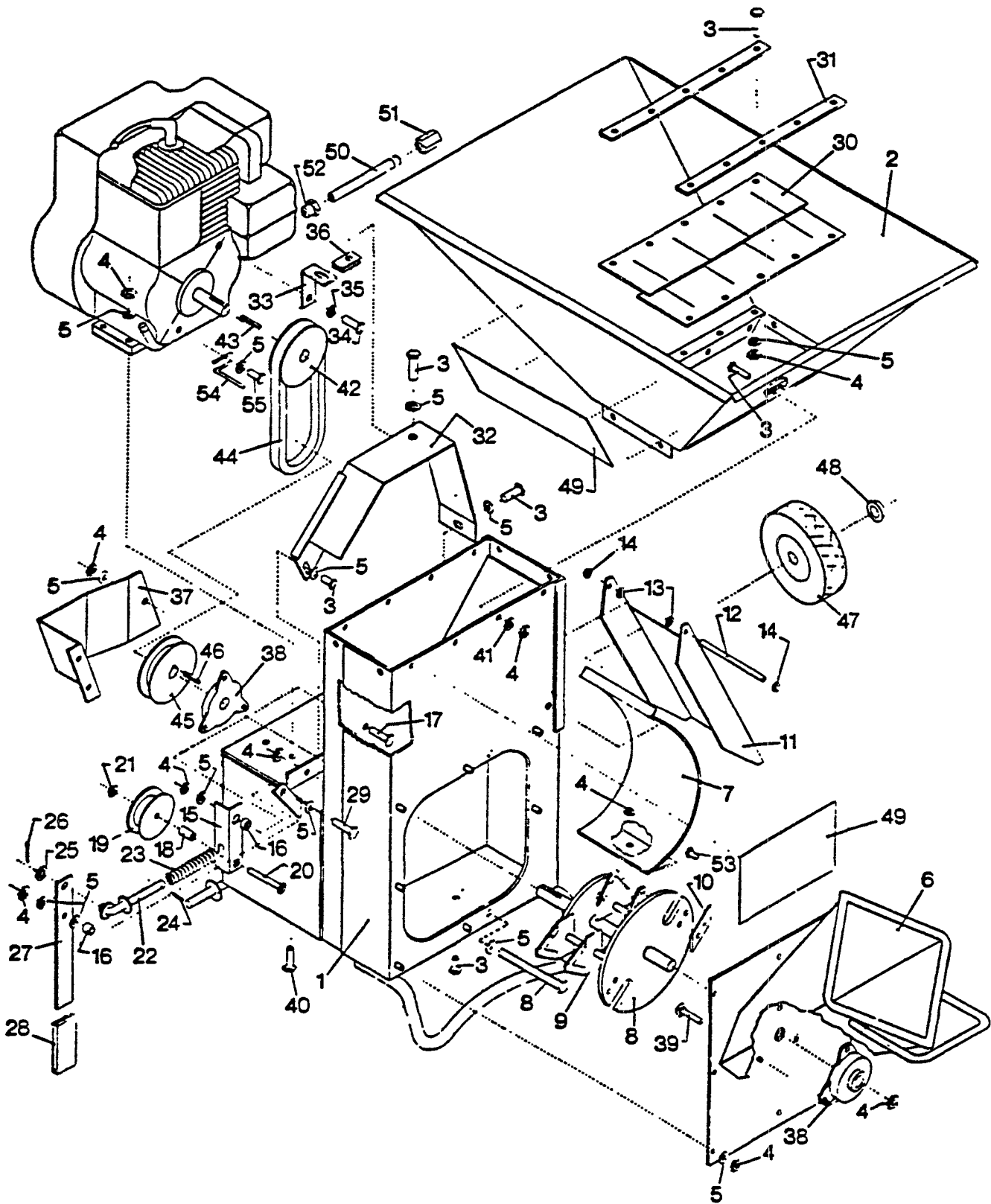
SH-8000

SH-8000E
(1991/1992 MODELS)

ECHO, INCORPORATED
400 OAKWOOD ROAD
LAKE ZURICH, IL 60047

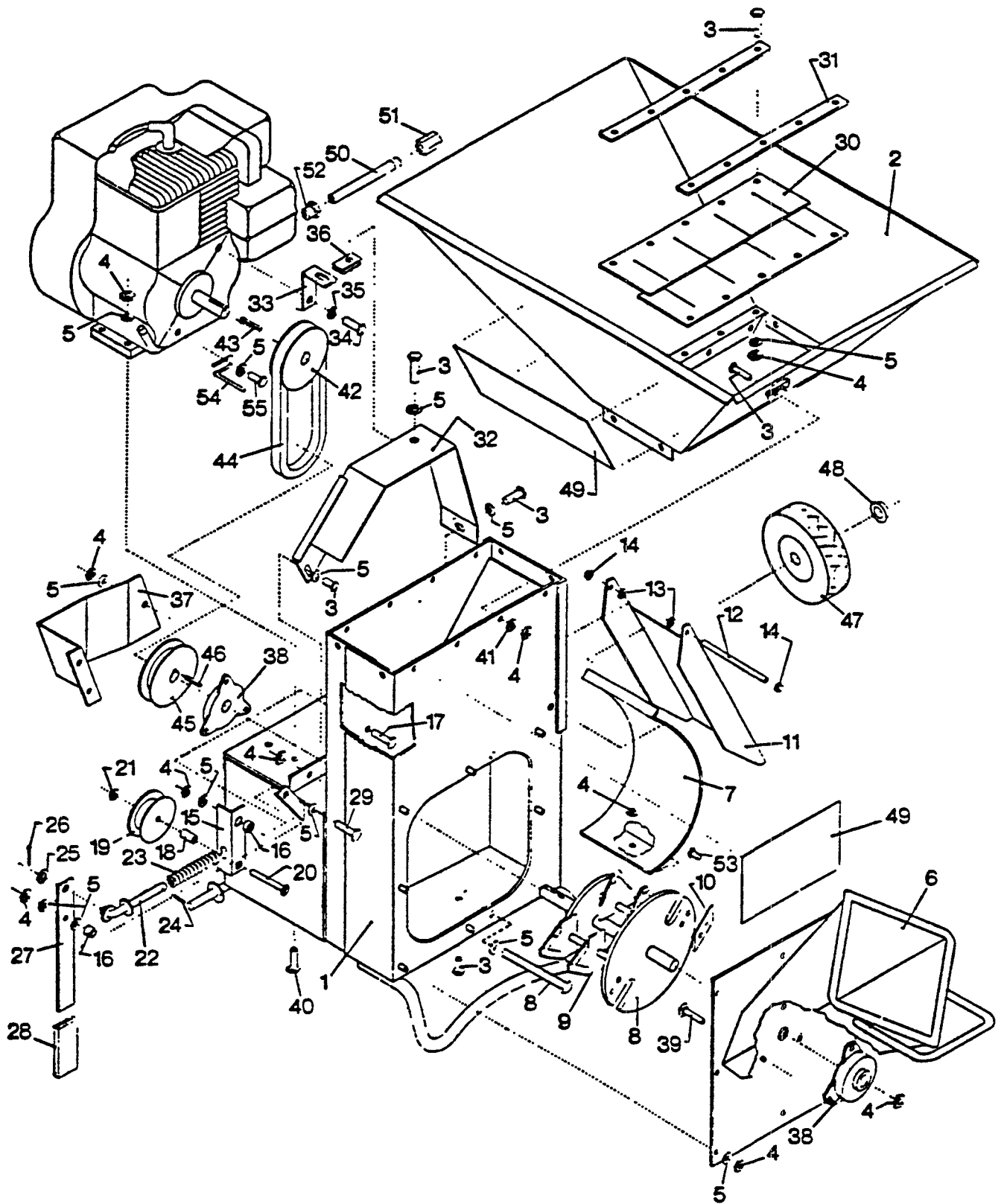
999222 01934

10/92



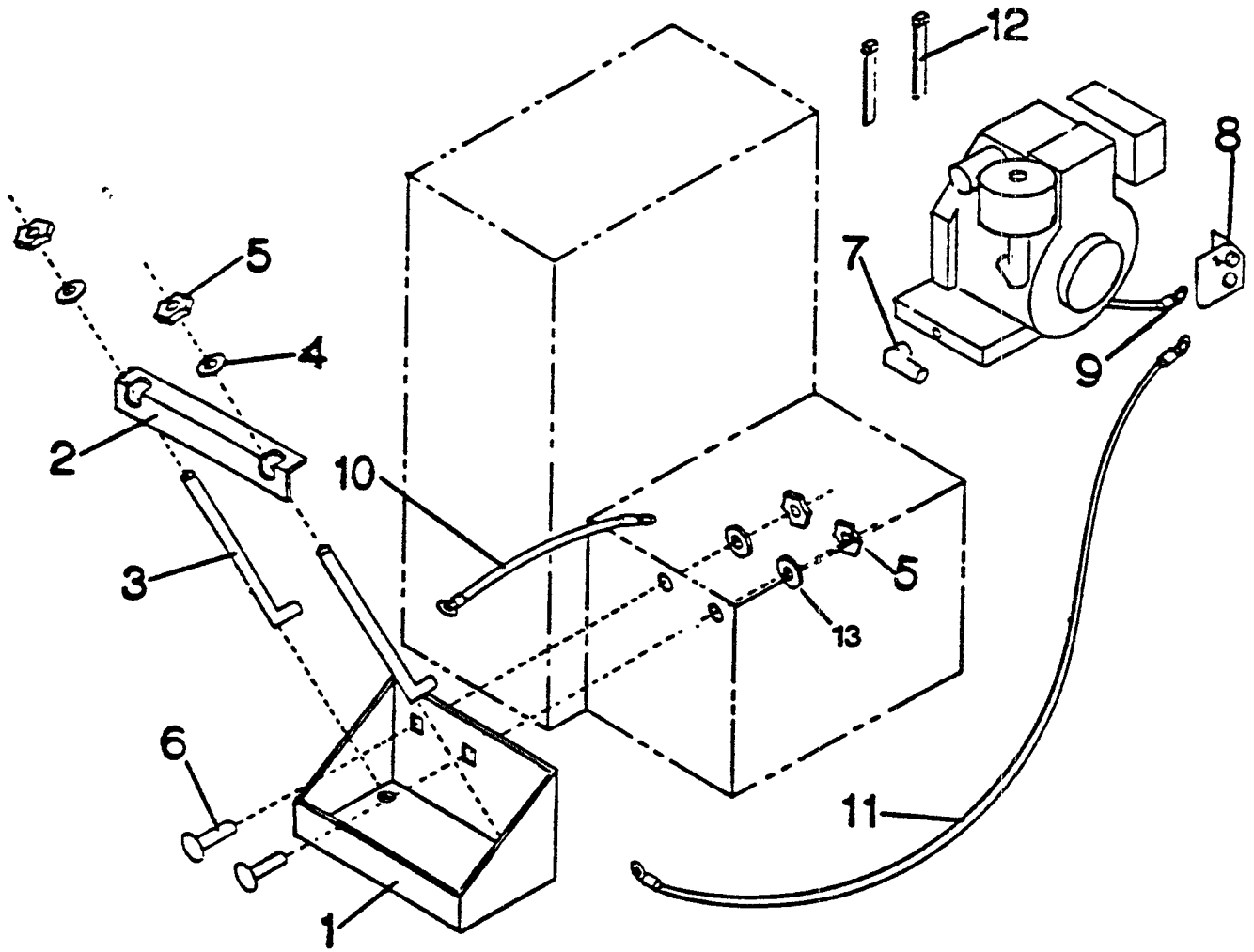
ECHO CHIPPER/SHREDDER PARTS LIST

KEY	PART NO.	QTY.	DESCRIPTION	
1	700 70196	1	Shredder Frame, 3 HP	
	700 70197	1	Shredder Frame, 5 HP	
	700 70198	1	Shredder Frame, 8 HP	
2	700 70191	1	Hopper, 3 HP	
	700 70192	1	Hopper, 5 HP	
	700 70193	1	Hopper, 8 HP	
3	700 15003	26	Bolt, 5/16 x 3/4	
4	700 15356	47	Nut, 5/16 Nylock	
5	700 15416	25	Washer, 5/16 SAE Flat	
6	700 70190	1	Chipper Chute (3 HP)	
	700 70189	1	Chipper Chute (5 & 8 HP)	
7			Grates (See Accessories)	
8	700 70044	1	Rotor, 3 HP	
	700 70044	1	Rotor, 5 HP	
	700 70427	1	Rotor, 8 HP	
9	700 70119	1	Shredder Kit, 3 & 5 HP consists of:	
	700 70047	16	Shredder Section	
	700 70115	4	Spacer, .75 x 1.55	
	700 70114	4	Spacer, .75 x 2.45	
	700 70031	4	Shaft, Knife	
	700 17898	4	Bolt, #10-24 Socket Head	
	700 15397	4	Nut, #10-24 Nylock	
	700 70120	1	Shredder Kit, 8 HP consists of:	
	700 70047	24	Shredder Section	
	700 70115	8	Spacer, .75 x 1.55	
	700 70116	4	Spacer, .75 x 2.77	
	700 70064	4	Shaft, Knife	
	700 17898	4	Bolt, #10-24 Socket Head	
	700 15397	4	Nut, #10-24 Nylock	
	10	700 70121	1	Chipper Knives (set of 2)
	11	700 70194	1	Discharge Door (3 & 5 HP)
700 70195		1	Discharge Door (8 HP)	
12	700 70087	1	Shaft, Door Pivot (3 & 5 HP)	
	700 70088	1	Shaft, Door Pivot (8 HP)	
13	700 15409	2	Washer, 5/16 Nylon Flat	
14	700 15411	2	Pushnut, 5/16	
15	700 70038	1	Angle, Clutch Pivot	
16	700 69126	2	Spacer, Idler Pivot	
17	700 15219	1	Bolt, 5/16 x 1	
18	700 70046	1	Spacer, Idler	
19	700 17740	1	Pulley, 3-1/2 Idler	
20	700 15102	1	Bolt, 3/8 x 2-3/4 CRG	
21	700 15388	1	Nut, 3/8 Nylock	
22	700 70068	1	Clutch Rod	
23	700 17833	1	Spring, Clutch	
24	700 15354	1	Roll Pin, 5/32 x 3/4	
25	700 15097	1	Washer, 1/2 SAE Flat	
26	700 15375	1	Cotter Pin, 1/8 x 1	



ECHO CHIPPER/SHREDDER PARTS LIST (Cont.)

KEY	PART NO.	QTY.	DESCRIPTION
27	700 70040	1	Arm, Clutch Engagement
28	700 17524	1	Grip, Clutch Arm
29	700 15436	1	Bolt, 5/16 x 1-1/4
30	700 70070	2	Guard, Shredder Inlet (3 & 5 HP)
	700 70071	2	Guard, Shredder Inlet (8 HP)
31	700 70069	2	Strip, Guard Retaining
32	700 70078	1	Belt Guard, Upper
33	700 70082	1	Angle, (Guard Support)
34	700 15413	1	Bolt, 1/2 x 3/4 NF
35	700 15097	1	Washer, 1/2 SAE Flat
36	700 15402	1	Nut, 5/16 Tinnerman
37	700 70083	1	Guard, Lower Belt
38	700 17831	2	Bearing, 1" Flushmount
39	700 15301	6	Bolt, 5/16 x 1 CRG
40	700 15250	4	Bolt, 5/16 x 1-3/4
41	700 15416	12	Washer, 5/16 Flat
42	700 17959	1	Pulley, 4 x 3/4 B (3 & 5 HP)
	700 17958	1	Pulley, 4 x 1 B (8 HP)
43	700 15434	1	Key, 3/16 x 1-1/2 Sq. (3 & 5 HP)
	700 15418	1	Key, 1/4 x 1-1/2 Sq. (8 HP)
44	700 17829	1	Belt, 5L27 (3 & 5 HP)
	700 17830	1	Belt 5L29 (8 HP)
45	700 17828	1	Pulley, 4 x 1 B
46	700 15418	1	Key, 1/4 x 1-1/2 Sq.
47	700 17867	2	Wheel, 8.0 x 2.25 (3 HP)
	700 17832	2	Wheel, 10.5 x 3.5 Turf (5 & 8 HP)
48	700 15406	2	Pushnut, 5/8
49	999450 00300	3	Decal, Model SH-3000
	999450 00310	3	Decal, Model SH-5000
	999450 00320	3	Decal, Model SH-8000
	999450 00320	3	Decal, Model SH-8000E
50	700 17497	1	Pipe, 1/4 x 4
51	700 17496	1	Cap, 1/4 Pipe
52	700 17865	1	Bushing, 1/4 x 3/8 NPT (8 HP)
53	700 15300	4	Bolt, 5/16 x 5/8
54	700 17794	1	Belt Guide
55	700 15381	1	Bolt, 5/16 x 3/4 UNF





SH-8000E

KEY	PART NO. -	QTY.	DESCRIPTION
1	70070141	1	Battery Box
2	70070144	1	Angle, Battery Hold Down
3	70015419	2	Bolt, 5/16 x 8-3/4 L
4	70015250	2	Washer, 5/16 Flat
5	70015356	4	Nut, 5/16 Nylock
6	70015301	2	Bolt, 5/16 x 1 Carr.
7	70017771	1	Elbow, 1/4 NPT
8	70017863	1	Panel, Starter Control
9	70017890	1	Terminal, 3/8 Ring
10	70017889	1	Cable, Battery Negative
11	70017888	1	Cable, BAttery Positive
12	70017320	2	Tie, Nylon Cable
13	70015416	2	Washer, 5/16 SAE Flat

DECALS

WARNING ⚠ DANGER


Always use the tamper provided with the unit to push material through the inlet flaps into the hopper. Do not use sticks or rakes. Never use your hand to push material through the inlet flaps. Always wear eye protection which meets A.N.S.I. Z 87.1 standard. Goggles are provided with the unit.

999450-00210

1

999450-00210

WARNING ⚠ DANGER



- Rotating blades will cause serious personal injury.
- Keep hands and feet out of discharge opening and away from discharge area.
- Do not operate unless shield is properly in place. Blades coast to a stop. Keep bystanders at least 33 feet away.
- To avoid serious personal injury, stop engine, remove spark plug wire and allow machine to come to a complete stop before clearing obstructions or making adjustments.

999450-00170

3

999450-00170

WARNING ⚠ DANGER

- Read the operator manual before starting and using this equipment. If you need a replacement manual or decals, contact your Echo dealer or Echo, Incorporated, 400 Carwood Fess, Lake Zurich, IL 60047.
- Keep hands, feet, face and clothing out of shoulder hopper inlet and chopper chute inlet and away from discharge area and moving parts to avoid serious injury.
- Keep hands and feet out of discharge opening when machine is running. Rotating cutting blades inside opening will cause serious personal injury.
- Wear ANSI approved safety goggles and ear protection.
- Do not wear loose fitting clothing, pants.
- Wear durable footwear.
- Keep bystanders, children and pets at least 33 feet away from operating and discharge areas.
- If unit jams or becomes clogged, shut engine off right away and let all moving parts come to a complete stop. Disconnect the spark plug wire. Use only a wooden stick to clear away discharged material or blockage.
- Keep all shields and service door in place and securely attached.
- Do not use hands or feet to clear material from the discharge area.
- Do not install parts, or remove, adjust or service the discharge screen or any other part while the machine is running. Do not operate unit on uneven ground or on a paved, gravel or hard surface. Do not run engine in an enclosed area - exhaust gas contains poisonous carbon monoxide fumes.

TO START

1. MOVE ENGINE CHOKE LEVER TO "FULL CHOKE" POSITION. IF ENGINE HAS ALREADY BEEN RUNNING, DO NOT USE CHOKE LEVER.
2. MOVE ON-OFF SWITCH TO "ON" POSITION.
3. MOVE CLUTCH LEVER ALL THE WAY DOWN.
4. PULL START ROPE OUT FIRMLY TO START ENGINE. ON ELECTRIC START MODELS, TURN KEY TO START POSITION. MOVE ENGINE CHOKE LEVER TO "PARTIAL CHOKE" POSITION ONCE ENGINE STARTS. AFTER A FEW SECONDS, MOVE CHOKE LEVER TO "NO CHOKE" POSITION.
5. SLOWLY MOVE CLUTCH LEVER UP TO TRANSFER POWER TO THE INTERNAL ROTATING CUTTING BLADES.

TO STOP

1. MOVE ON-OFF SWITCH TO "OFF"
2. KEEP CLUTCH LEVEL UP UNTIL ALL MOVING PARTS HAVE COME TO A COMPLETE STOP

999450-00160

2

999450-00160

WARNING ⚠ DANGER

Rotating cutter blades. Do not operate unless discharge screen is bolted in place. →

999450-00180

999450-00180

4

WARNING ⚠ DANGER

If this shaft is turning, rotating blades can injure. Look at white mark on the bearing. ↓

999450-00190

5

999450-00190

WARNING ⚠ DANGER

Risks / Serious Injury - Violent reaction may occur

PULL IN - Branches may be quickly pulled by moving blade. Stubs on branches can catch on gloves, clothing, etc. and can pull hand into machine.

WHIPPING - Blade may cause violent whipping of material. Do not use rakes or sticks to push material into hopper. Use tamper supplied with unit.

THROWN OBJECTS - Pieces of material can be thrown back at operator or bystander. Stay in operator zone. Wear eye protection.

CLOGGING - Feeding oversized or excessively wet material will jam rotor blades and clog machine. Be sure blade has come to a complete stop, shut ignition, remove spark wire before cleaning clog.

INLET FLAPS - Do not use the unit unless inlet flaps are in position. If flaps are broken or missing, do not use the unit until they are replaced.

999450-00150

6

999450-00150

WARNING ⚠ DANGER

CLUTCH LEVER


TO USE


1. Move lever down.
2. Start engine.
3. Slowly move lever up to make blades rotate.

IMPORTANT: MOVING LEVER DOWN WILL NOT STOP BLADE MOTION.

TO STOP BLADE MOTION

1. Lever must be up.
2. Shut engine off – blades slow gradually.
3. Let all parts completely stop.

To engage power to shredder:  UP


To disengage power to shredder:  DOWN

999450-00220

9

999450-00220

WARNING ⚠ DANGER



ROTATING CUTTING BLADES
Keep hands and feet out of inlet and discharge opening while machine is operating. To avoid serious personal injury, stop engine, remove spark plug wire allow machine to come to a complete stop before clearing obstruction or making adjustments.

999450-00230

7

999450-00230

WARNING ⚠ DANGER

Do not start engine unless belt cover is securely attached. Failure to comply could result in personal injury from moving belt and pulleys. See operator manual for full safety and maintenance instructions.

999450-00250

10

999450-00250

WARNING ⚠ DANGER

If you need replacement manual or decals, contact your ECHO dealer or ECHO, INCORPORATED, 400 Oakwood Road, Lake Zurich, Illinois 60047.

999450-00240

8

999450-00240

WARNING ⚠ DANGER

To avoid a fire, keep leaves, grass and other combustible materials away from hot engine muffler. Always wipe up fuel spills. Do not start within ten feet of fueling location. Use long neck flexible fuel filler spout.

999450-00200

11

999450-00200

KEY	PART NO.	QTY.	DESCRIPTION
1	999450-00210	1	Decal
2	999450-00160	1	Deacl
3	999450-00170	1	Decal
4	999450-00180	1	Decal
5	999450-00190	1	Decal
6	999450-00150	1	Decal
7	999450-00230	1	Decal
8	999450-00240	1	Decal
9	999450-00220	1	Decal
10	999450-00250	1	Decal
11	999450-00200	1	Decal