



**CHIPPER/SHREDDER
PARTS CATALOG**

MODELS: SH-3000

SH-5000 S/N E081543

SH-8000 S/N E081543

SH-8000E S/N E081543

SH-8000 I.C. S/N E081543

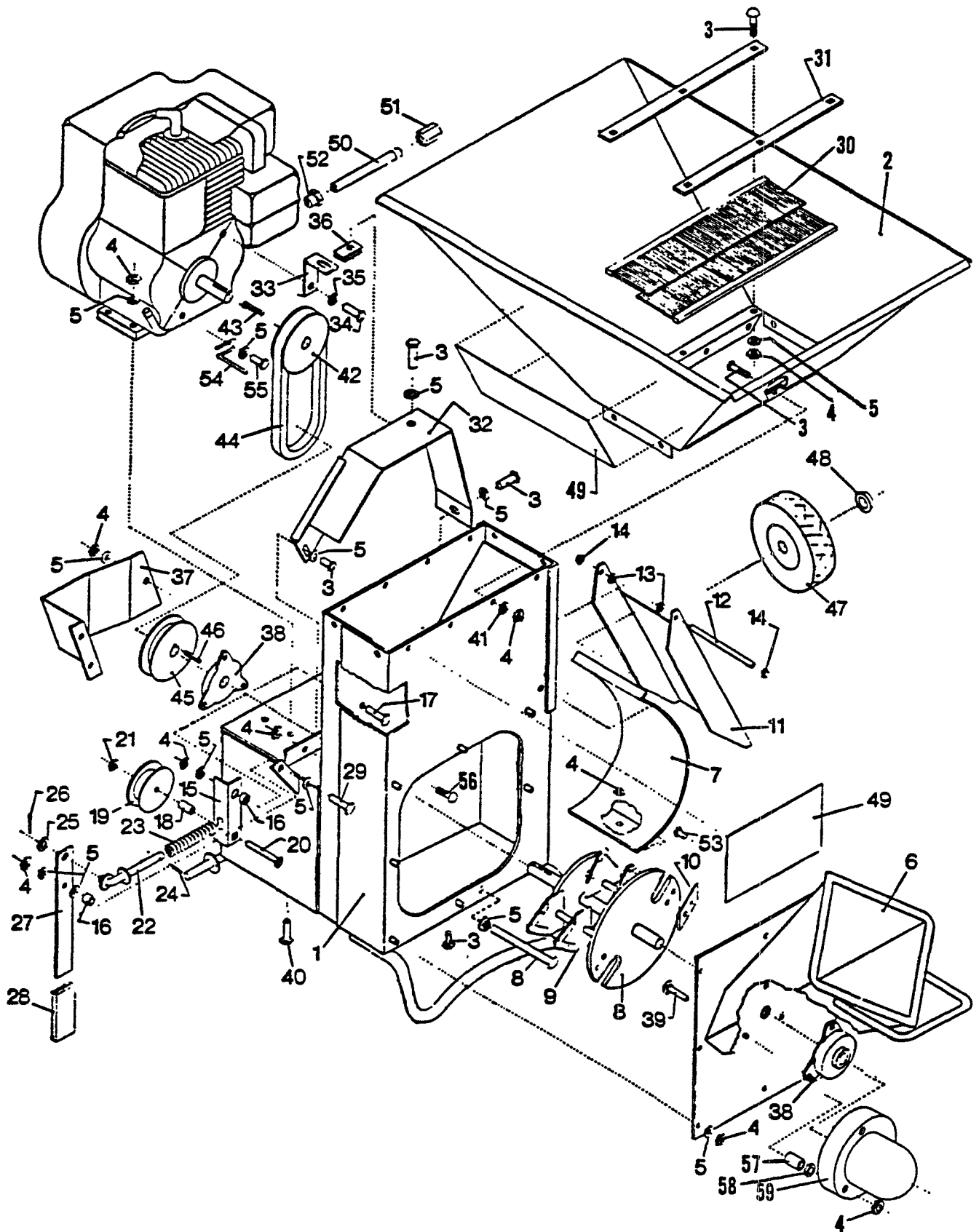
SH-8000 R. S/N E081612

(1992/1993 MODELS)

**ECHO, INCORPORATED
400 OAKWOOD ROAD
LAKE ZURICH, IL 60047**

999222 02243

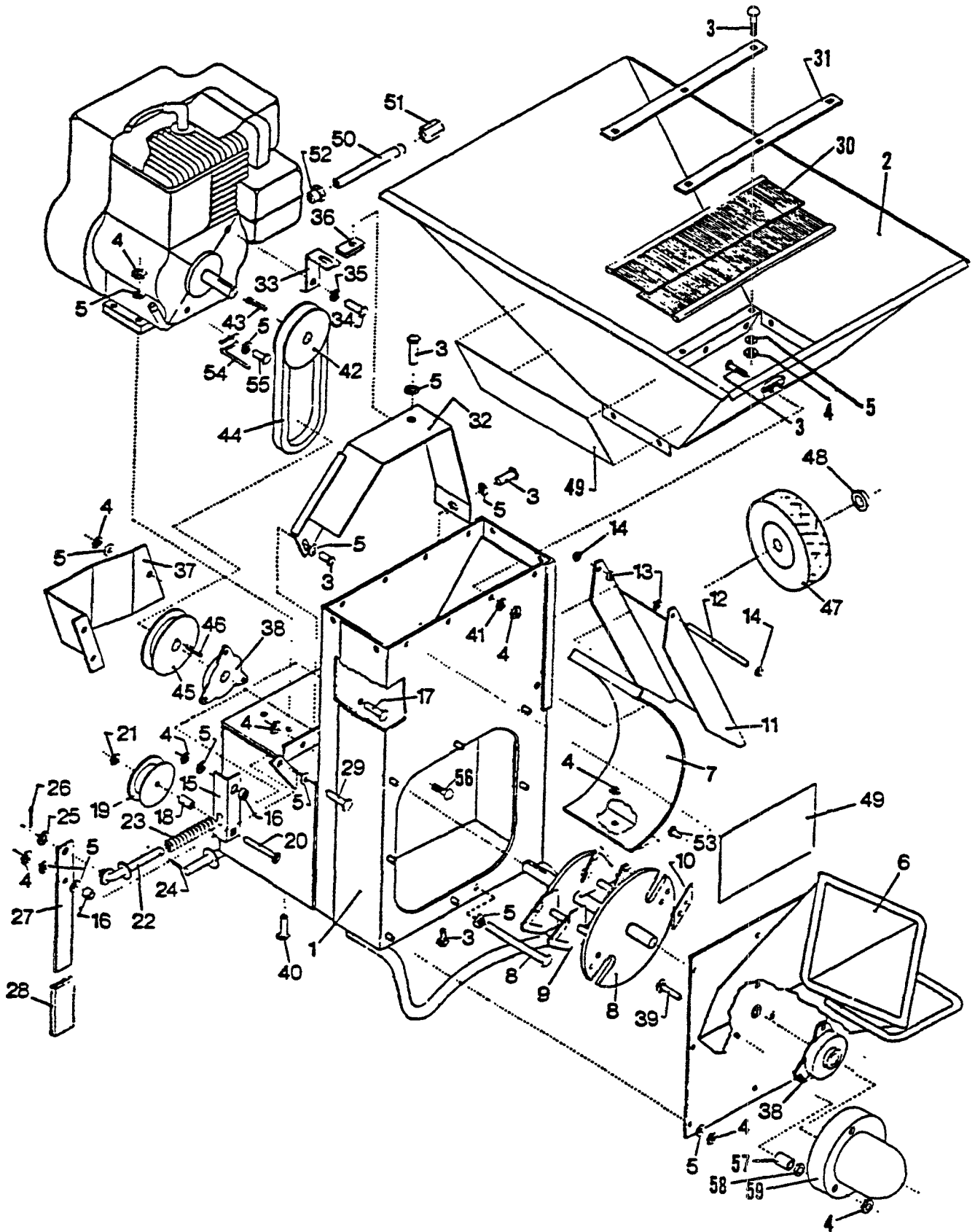
10/92



SH-3000, 5000, 8000/E/I.C./R.

KEY	PART NUMBER	QTY	DESCRIPTION	REMARKS
1	700 70196	1	SHREDDER FRAME, 3 HP	
	700 70197	1	SHREDDER FRAME, 5 HP	
	700 70198	1	SHREDDER FRAME, 8 HP	
2	700 70191	1	HOPPER, 3 HP	
	700 70192	1	HOPPER, 5 HP	
	700 70193	1	HOPPER, 8 HP	
3	700 15003	16	BOLT, 5/16 X 3/4	
4	700 15356	47	NUT, 5/16 NYLOCK	
5	700 15416	25	WASHER, 5/16 SAE FLAT	
6	700 70190	1	CHIPPER CHUTE, (3 HP)	
	700 70189	1	CHIPPER CHUTE, (5 & 8 HP)	
7			GRATES	(SEE ACCESSORIES)
8	700 70044	1	ROTOR, 3 HP	
	700 70277	1	ROTOR, 5 HP	
	700 70062	1	ROTOR, 8 HP	
9	700 70547	1	SHREDDER KIT, (3 & 5 HP)	CONSISTS OF THE FOLLOWING:
	700 70047	18	SHREDDER SECTION	
	700 15445	4	BOLT, 10-24 X 1-1/2 SKT	
	700 15397	4	NUT, 10-24 NYLOCK	
	700 70031	4	SHAFT, KNIFE	
	700 70533	4	SPACER, 0.75 X 2.170	
	700 70537	2	SPACER, 1.0 X 1.70 (W/HOLE)	
	700 70534	2	SPACER, 0.75 X 0.620	
	700 70538	2	SPACER, 1.0 X 1.240 (W/HOLE)	
	999222 02250	1	INSTRUCTIONS, SHREDDER KIT	
9	700 70546	1	SHREDDER KIT, (8 HP)	CONSISTS OF THE FOLLOWING:
	700 70047	26	SHREDDER SECTION	
	700 15445	4	BOLT, 10-24 X 1-1/2 SKT	
	700 15397	4	NUT, 10-24 NYLOCK	
	700 70064	4	SHAFT, KNIFE	
	700 70533	4	SPACER, 0.75 X 2.170	
	700 70537	2	SPACER, 1.0 X 1.70 (W/HOLE)	
	700 70534	4	SPACER, 0.75 X 0.620	
	700 70538	2	SPACER, 1.0 X 1.24 (W/HOLE)	
	999222 02249	1	INSTRUCTIONS, SHREDDER KIT	
	700 70536	2	SPACER, 0.75 X 1.24	
	700 70535	2	SPACER, 0.75 X 1.85	
10	700 70121	1	CHIPPER KNIVES (SET OF 2)	
11	700 70194	1	DISCHARGE DOOR (3 & 5 HP)	
	700 70195	1	DISCHARGE DOOR (8 HP)	
12	700 70087	1	SHAFT, DOOR PIVOT (3 & 5 HP)	
	700 70088	1	SHAFT, DOOR PIVOT (8 HP)	
13	700 15409	2	WASHER, 5/16 NYLON FLAT	
14	700 15411	2	PUSHNUT, 5/16	
15	700 70038	1	ANGLE, CLUTCH PIVOT	
16	700 69126	2	SPACER, IDLER PIVOT	
17	700 15219	1	BOLT, 5/16 X 1	
18	700 70046	1	SPACER, IDLER	
19	700 17740	1	PULLEY, 3-1/2 IDLER	
20	700 15102	1	BOLT, 3/8 X 2-3/4 CRG	
21	700 15388	1	NUT, 3/8 NYLOCK	
22	700 70068	1	CLUTCH ROD	
23	700 17833	1	SPRING, CLUTCH	
24	700 15354	1	ROLL PIN, 5/32 X 3/4	
25	700 15097	1	WASHER, 1/2 SAE FLAT	
26	700 15375	1	COTTER PIN, 1/8 X 1	

SH-3000, 5000, 8000/E/I.C./R.

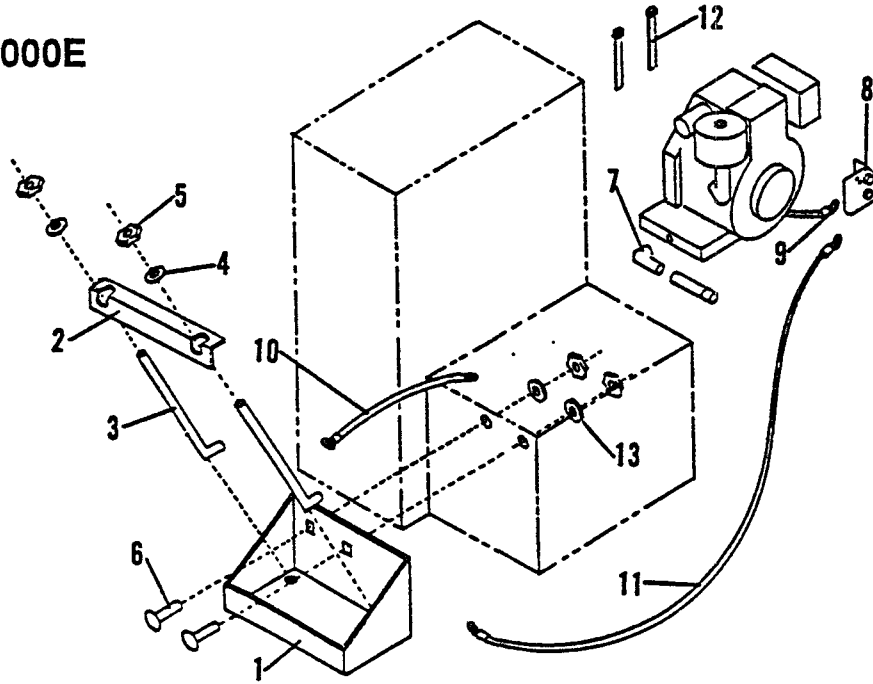


SH-3000, 5000, 8000/E/I.C./R.

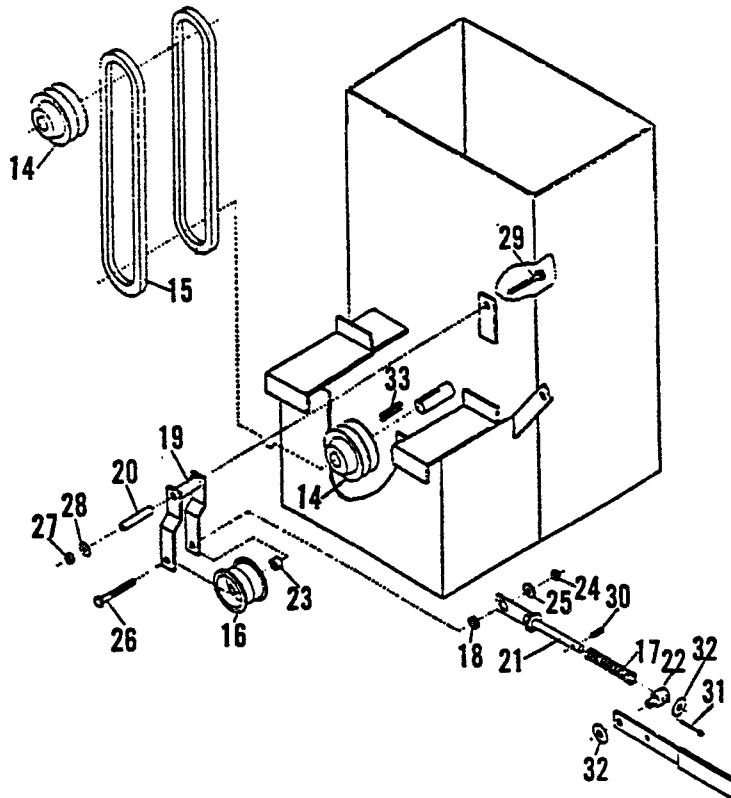
KEY	PART NUMBER	QTY	DESCRIPTION	REMARKS
27	700 70040	1	ARM, CLUTCH ENGAGEMENT	
28	700 17524	1	GRIP, CLUTCH ARM	
29	700 15436	1	BOLT, 5/16 X 1-1/4	
30	700 16088	2	BRUSH, (3 & 5 HP)	
	700 16089	2	BRUSH, (8 HP)	
31	700 70488	2	STRIP, BRUSH RETAINING	
32	700 70078	1	BELT GUARD, UPPER	
33	700 70082	1	ANGLE, (GUARD SUPPORT)	
	700 70256	1	ANGLE, (HONDA GUARD SUPPORT)(8 HP)	
34	700 15413	1	BOLT, 1/2 X 3/4 NF	
35	700 15097	1	WASHER, 1/2 SAE FLAT	
36	700 15402	1	NUT, 5/16 TINNERMAN	
37	700 70083	1	GUARD, LOWER BELT	
38	700 17831	2	BEARING, 1" FLUSHMOUNT	
	700 16234	2	BEARING, CAST FLANGE (8000 R ONLY)	
39	700 15349	3	BOLT, 5/16 X 7/8 CRG (3 HP)	
	700 15350	3	BOLT, 5/16 1-3/4 CRG (5 & 8 HP)	
40	700 15403	4	BOLT, 5/16 X 1-3/4	
41	700 15250	12	WASHER, 5/16 FLAT	
42	700 17959	1	PULLEY, 4 X 3/4 B (3 & 5 HP)	
	700 17958	1	PULLEY, 4 X 1 B (8 HP)	
43	700 15434	1	KEY, 3/16 X 1-1/2 SQ. (3 & 5 HP)	
	700 15418	1	KEY, 1/4 X 1-1/2 SQ. (8 HP)	
44	700 16081	1	BELT, 5L27 (3 & 5 HP)	
	700 16043	1	BELT, 5L29 (8 HP)	
45	700 17958	1	PULLEY, 4 X 1 B	
46	700 15418	1	KEY, 1/4 X 1-1/2 SQ.	
47	700 17867	2	WHEEL, 8.0 X 2.25 (3 HP)	
	700 17832	2	WHEEL, 10.5 X 3.5 TURF (5 & 8 HP)	
48	700 15406	2	PUSHNUT, 5/8	
49	999450 00300	3	DECAL, MODEL SH-3000	
	999450 00310	3	DECAL, MODEL SH-5000	
	999450 00320	3	DECAL, MODEL SH-8000	
	999450 00330	3	DECAL, MODEL SH-8000 E	
	999450 00340	3	DECAL, MODEL SH-8000 I.C.	
	999450 00350	3	DECAL, MODEL SH-8000 R	
50	700 17497	1	PIPE, 1/4 X 4	
51	700 17496	1	CAP, 1/4 PIPE	
52	700 17865	1	BUSHING, 1/4 X 3/8 NPT (8 HP)]	
53	700 15300	4	BOLT, 5/16 X 5/8	
54	700 17794	1	BELT, GUIDE	
55	700 15381	1	BOLT, 5/16 X 3/4 UNF	
56	700 15349	9	BOLT, 5/16 X 7/8 CRG	
	700 15398	3	BOLT, 5/16 X 1-1/4 CRG (8000 R ONLY)	
57	700 70495	3	SPACER	
	700 70285	3	SPACERS (8000 R ONLY)	
58	700 15178	3	NUT, 5/16 CENTERLOCK	
59	700 17981	1	CAP, ROTOR SHAFT END	
	700 70760	1	CAP, ROTOR SHAFT END (8000 R ONLY)	

SH-8000E/R.

SH-8000E



SH-8000 R



KEY	PART NUMBER	QTY	DESCRIPTION	REMARKS
-----	-------------	-----	-------------	---------

SH-8000E

1	700 70141	1	BATTERY BOX	
2	700 70144	1	ANGLE, BATTERY HOLD DOWN	
3	700 15419	2	BOLT, 5/16 X 8-3/4 L	
4	700 15250	2	WASHER, 5/16 FLAT	
5	700 15356	4	NUT, 5/16 NYLOCK	
6	700 15349	2	BOLT, 5/16 X 7/8 CRG	
7	700 17771	1	ELBOW, 1/4 NPT	
8	700 17863	1	PANEL, STARTER CONTROL	
9	700 17890	1	TERMINAL, 3/8 RING	
10	700 17889	1	CABLE, BATTERY NEGATIVE	
11	700 17888	1	CABLE, BATTERY POSITIVE	
12	700 17320	2	TIE, NYLON CABLE	
13	700 15416	2	WASHER, 5/16 SAE FLAT	

SH-8000 R./Dual Belt Kit

999451 00170	1	Dual Belt Kit	Includes Items 14 -32
---------------------	----------	----------------------	------------------------------

14	700 17995	2	PULLEY, 4 X 12 A GROOVE	
15	700 17996	1	BELTS, (2) MATCHED SET	
16	700 17997	1	PULLEY, 3-1/4 FLAT IDLER	
17	700 17833	1	SPRING, 0.72 O.D., 3.50 LENGTH	
18	700 69239	1	SPACER, IDLER PIVOT	
19	700 70287	1	WELDMENT, 2 BELT IDLER	
20	700 70357	1	PIVOT TUBE	
21	700 70358	1	PUSH ROD WELDMENT	
22	700 70361	1	SWIVEL, PUSH ROD	
23	700 70362	1	SPACER, 0.63 X 0.75	
24	700 15047	1	NUT, 3/8 CENTERLOCK	
25	700 15031	1	WASHER, 3/8 FLAT	
26	700 15437	1	BOLT 3/8 X 2-3/4	
27	700 15356	1	NUT, 5/16 NYLOCK	
28	700 15416	1	WASHER, 5/16 FLAT	
29	700 15103	1	BOLT, 5/16 X 3	
30	700 15354	1	ROLL PIN, 5/32 X 3/4	
31	700 15375	1	COTTER PIN, 1/8 X 1	
32	700 15097	2	WASHER, 1/2 FLAT	

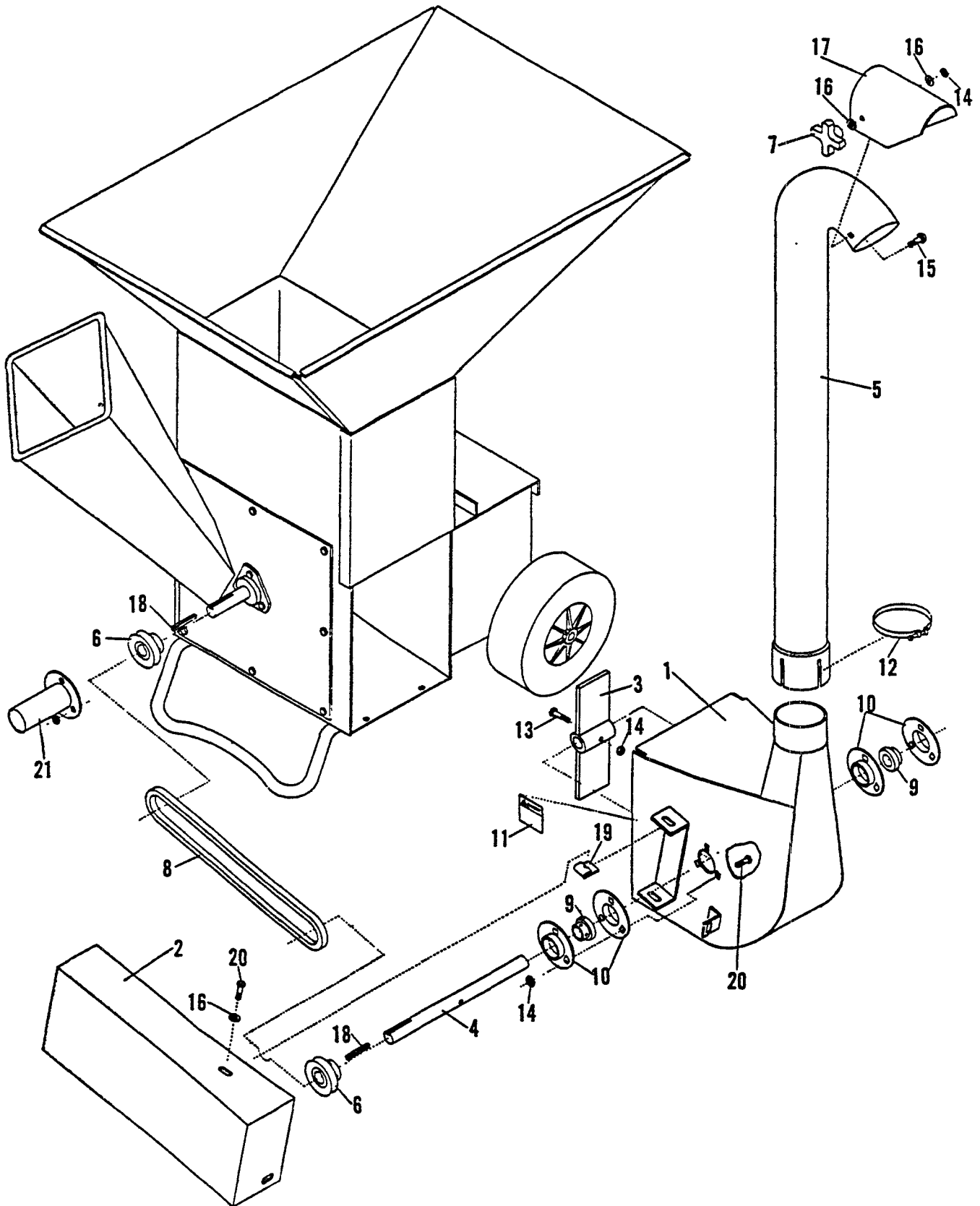
SH-8000 R. ONLY

33	700 15418	1	KEY, 1/4 X 1-1/2	
*34	700 16003	2	WHEEL ASSEMBLY	
*35	999451 00180	1	TOOL STEEL CHIPPER BLADE KIT	

***ITEMS NOT SHOWN**

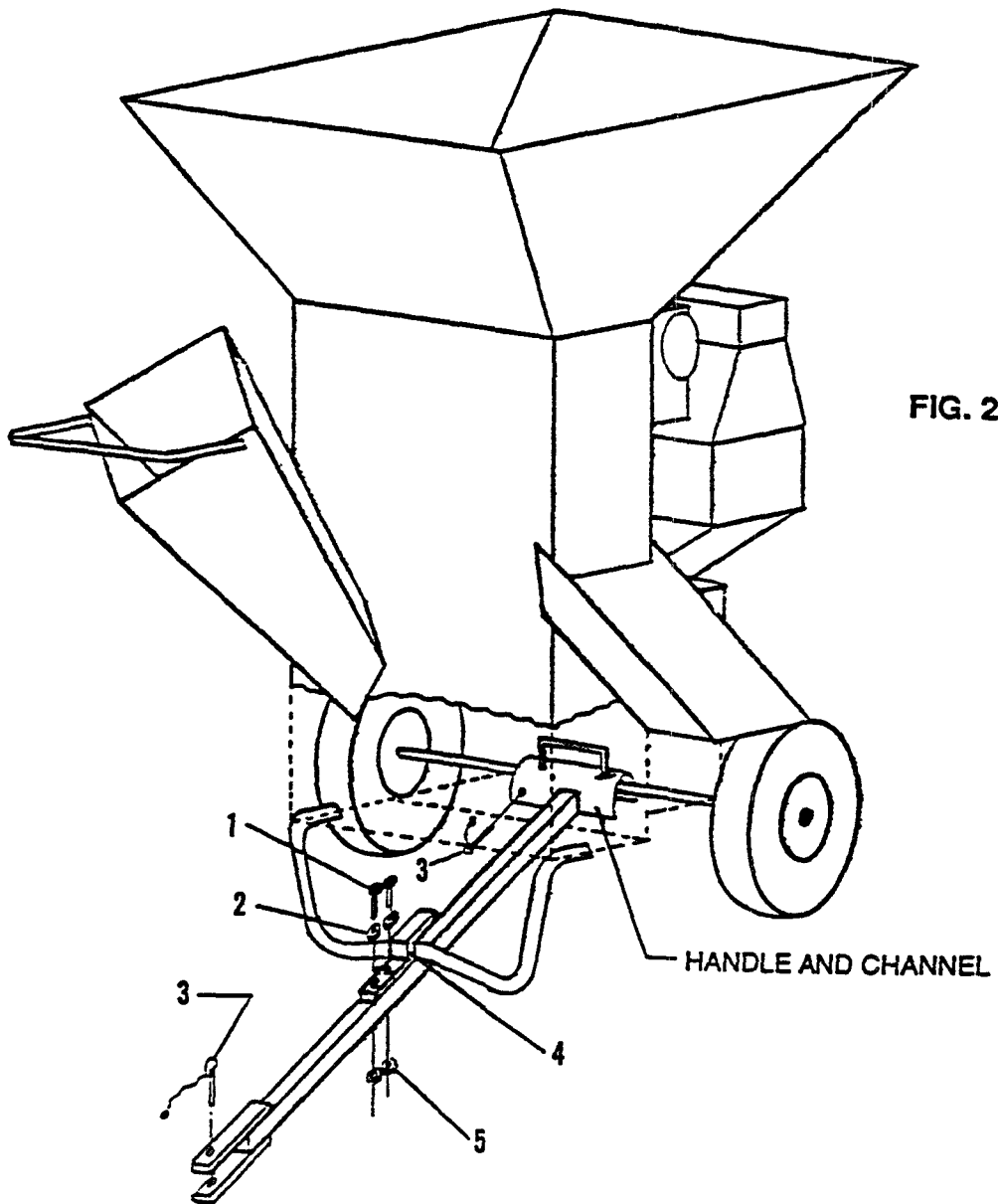
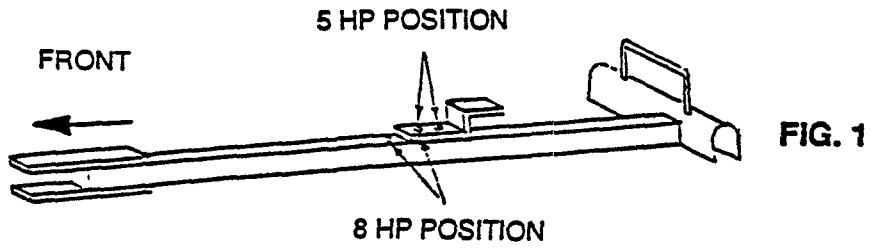
SH-5000, 8000/E/I.C./R.

999451 00190 (5 HP) & 999451 00200 (8 HP) BLOWER ATTACHMENT



KEY	PART NUMBER	QTY	DESCRIPTION	REMARKS
	999451 00190	1	(5 HP) BLOWER ATTACHMENT	
	999451 00200	1	(8 HP) BLOWER ATTACHMENT	
1	700 70223	1	WELDMENT, BLOWER ATTACHMENT (5 HP)	
	700 70213	1	WELDMENT, BLOWER ATTACHMENT (8 HP)	
2	700 70244	1	WELDMENT, BLOWER BELT GUARD (5 HP)	
	700 70236	1	WELDMENT, BLOWER BELT GUARD (8 HP)	
3	700 70217	1	WELDMENT, BLOWER IMPELLER	
4	700 70224	1	SHAFT, BLOWER IMPELLER (5 HP)	
	700 70218	1	SHAFT, BLOWER IMPELLER (8 HP)	
5	700 70249	1	BLOWER TUBE	
6	700 17923	2	PULLEY, 3" A GROOVE	
7	700 15321	1	SPOUT KNOB	
8	700 17558	1	BELT, 4L38	
9	700 17561	2	BEARING, 1" I.D.	
10	700 17488	4	FLANGETTE, BEARING	
11	700 17423	1	DECAL, DANGER	
12	700 17960	1	CLAMP, T-BOLT 4" I.D.	
13	700 15140	1	BOLT, 5/16 X 2	
14	700 15356	8	LOCKNUT, 5/16	
15	700 15367	2	BOLT, CRG 5/16" X 3/4"	
16	700 15403	5	WASHER, 5/16 FLAT	
17	700 70253	1	SPOUT, BLOWER TUBE	
18	700 15418	2	KEY, SQ. , 1/4" X 1-1/2"	
19	700 15402	3	NUT, TINNEMAN, 5/16 - 18	
20	700 15003	9	BOLT, 5/16 X 3/4"	
21	700 17981	1	ROTOR SHAFT END CAP (PLASTIC)	

999450 00080 TOW HITCH (NOT FOR HIGHWAY)



SH-5000, 8000

KEY	PART NUMBER	QTY	DESCRIPTION	REMARKS
-----	-------------	-----	-------------	---------

CHIPPER/SHREDDER TOW HITCH 999450 00080 PARTS LIST

1	700 15403	2	5/16" HEX BOLT
2	700 15250	2	5/16" FLAT WASHER
3	700 17879	2	SNAP PIN
4	700 70107	1	BRACKET, SLIDING HITCH
5	700 15356	2	NUT, 5/16 NYLOCK

999450 00080 CHIPPER/SHREDDER TOW HITCH INSTALLATION INSTRUCTIONS

WARNING DANGER

This tow hitch is designed to be used to tow your Chipper/Shredder behind a riding lawn mower or garden tractor **ONLY**. Do not use the hitch for highway towing. Do not operate the Chipper/Shredder with tow hitch attached.

Before operating machine, disconnect hitch from the tractor and Chipper/Shredder. Before using tow hitch, the Hitch Bracket (4) must be properly positioned. Place Hitch Bracket (4) in front two holes with a 8 HP model, rear two holes for 5 HP model. Holes in the Hitch Bracket (4) are slotted to provide adjustment. Tighten bolts (1) to 20 ft. lbs. (SEE FIG. 1)

To install tow hitch, proceed as follows: (SEE FIG. 2)

1. Lay tow hitch on flat, level ground with handle facing up. Remove both Snap Pins (3) from hitch.
2. Roll Chipper/Shredder over hitch and set front leg on tow bar one inch behind the open end of the Hitch Bracket (4).
3. From the rear of the machine, pull hitch back and drop hitch channel over axle. Secure to axle with snap pin (3). (As an alternative, the front of the Chipper/Shredder can be lifted and if needed placed on a block so that the hitch can be listed and placed under the machine, hooking over the rear axle.

IMPORTANT

CHECK THAT FRONT LEG IS SECURELY HELD UNDER HITCH BRACKET (4). IF NECESSARY, LOOSEN BOLTS (1) AND MOVE HITCH BRACKET (4) LEG. RETIGHTEN BOLTS (1).

4. Place tractor tongue between plates of Chipper/Shredder hitch. Install snap pin (3) through the holes in the Chipper/Shredder hitch and tractor tongue. The machine can now be towed where needed.

Before operating machine, disconnect hitch from the tractor and Chipper/Shredder.

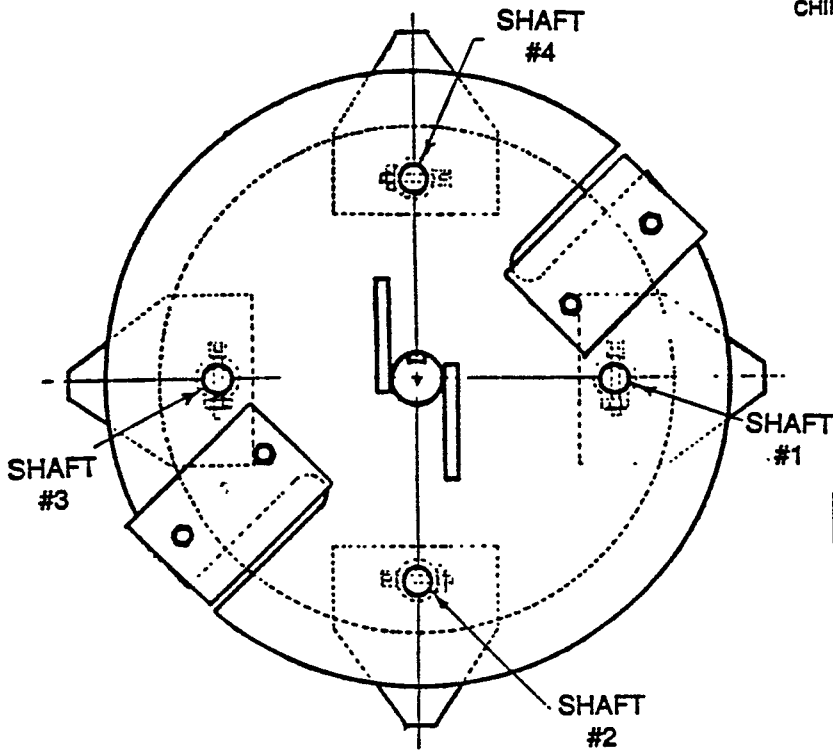


FIG. 1

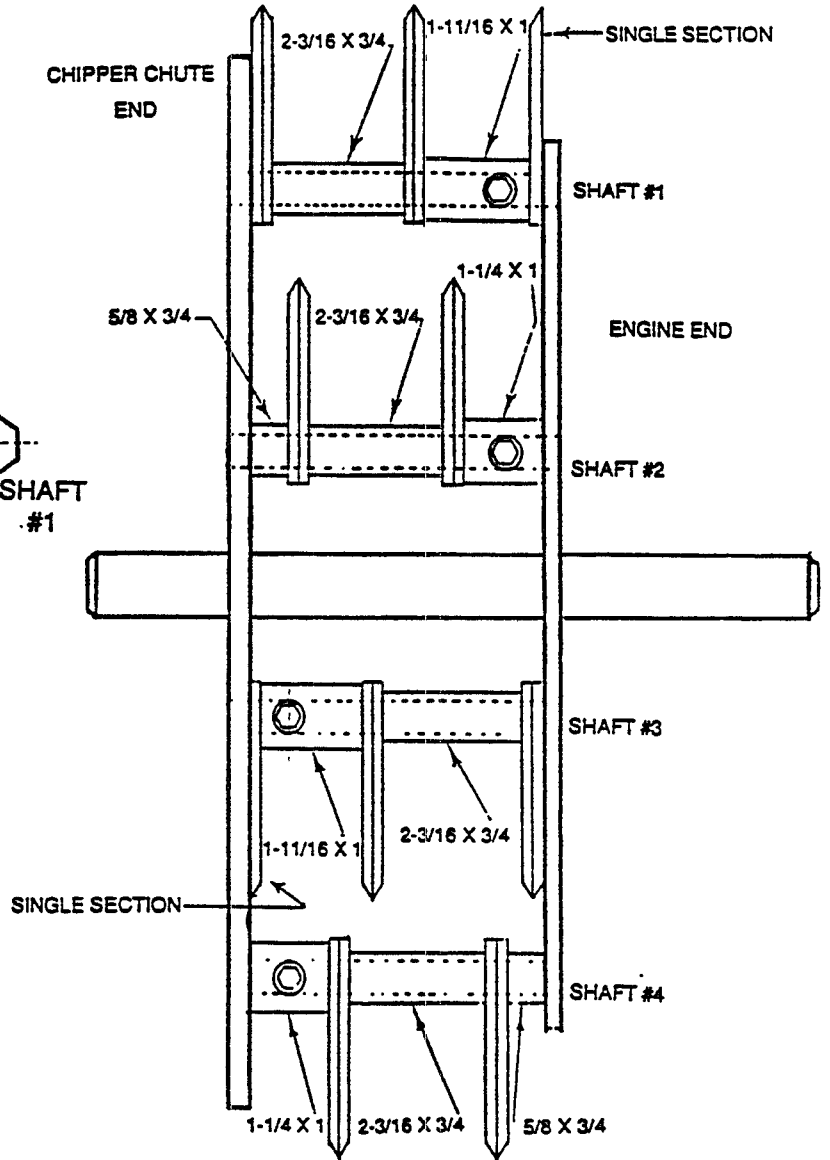


FIG. 2

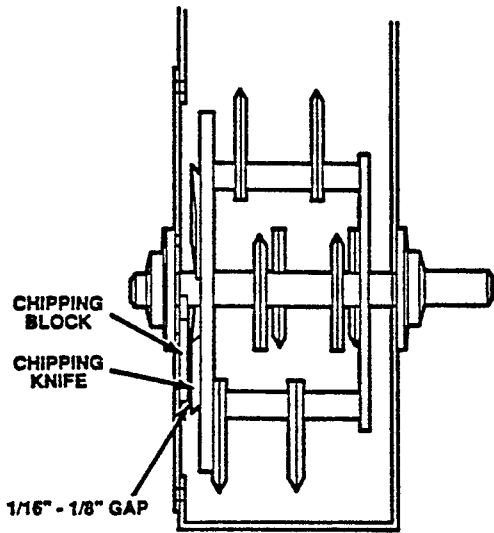


FIG. 3

700 70547 SHREDDER KIT INSTALLATION INSTRUCTIONS

WARNING  DANGER

Shut off the engine before inspecting or servicing any part of the Shredder. Make sure all moving parts have come to a complete stop. Disconnect spark plug wire and negative battery cable on electric start models.

Be careful when replacing chipping knives and shredding knives, these parts are sharp.

NOTE: This Shredder Kit has two additional shredding knives to provide more complete shredding capability. Be sure to install shredding knives properly to maintain rotor balance.

- STEP 1:** Remove rotor shaft end cap.
- STEP 2:** Loosen set screw holding lock collar on the chipper side rotor bearing.
- STEP 3:** Tap the lock collar using a punch and hammer until loose and remove.
- STEP 4:** Remove chipper chute fasteners and chute from frame.
- STEP 5:** Remove socket head bolt and nut from shaft (1) (see drawing on page 11). Slide knife shaft from rotor assembly and discard old shaft, shredding knives, spacers, nut and bolt.
- STEP 6:** Install in shaft one (1) location new shaft, shredding knives, spacers, nut and bolt. Follow order of assembly shown in Figs. 1 & 2 for shaft one (1) on page 11.
- STEP 7:** Repeat steps 5 & 6 for shafts 2, 3 and 4. Be sure to install shredder knives and spacers as shown in Figs. 1 & 2 page 11 for proper rotor balance.
- STEP 8:** Re-install chipper chute onto frame and tighten fasteners.
- STEP 9:** Adjust chipper knife clearance between chipping knives and chipping blocks to 1/16 to 1/8" as follows:
- A. Remove lower belt guard and discharge screen. Loosen set screw holding lock collars on rear rotor bearing. Loosen lock collar using a punch and hammer until it can be turned and removed.
 - B. Tap end of rotor shaft with rubber mallet until clearance between knife and chipping block is 1/16" to 1/8" for each knife (Fig. 3 on page 11).
 - C. Reinstall lock collars. Turn collar in direction of shaft rotation using a punch and hammer. Tighten set screws.
 - D. Check pulley alignment, using a straightedge. If necessary, loosen set screws on both pulleys and move them so that they are in line. Make sure that idler pulley contacts the center of the belt. Retighten set screws.
 - E. Install lower belt guard and discharge screen.

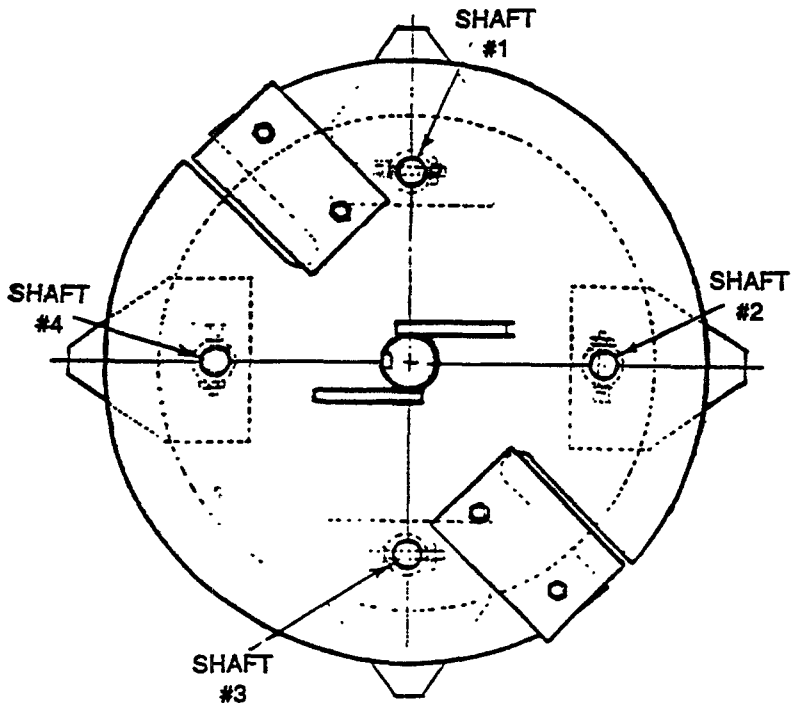


FIG. 1

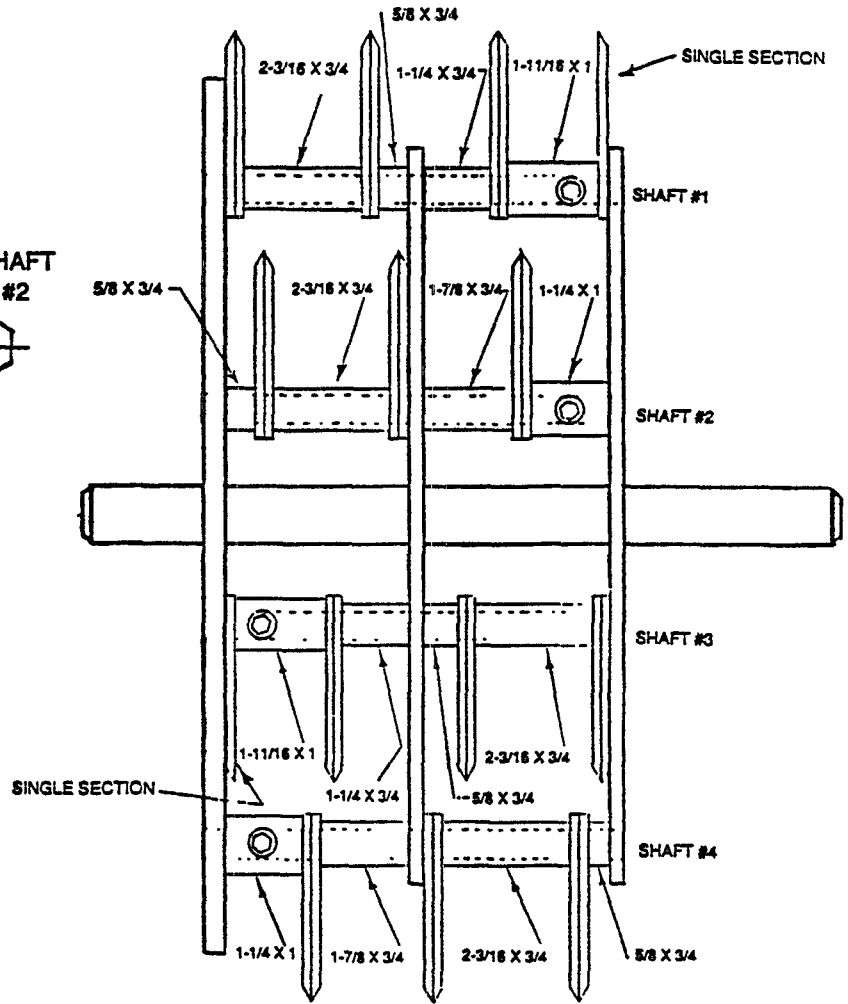


FIG. 2

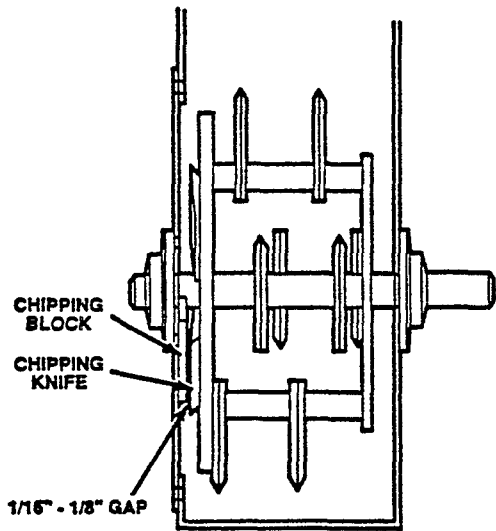


FIG. 3

700 70546 SHREDDER KIT INSTALLATION INSTRUCTIONS

WARNING  **DANGER**

Shut off the engine before inspecting or servicing any part of the Shredder. Make sure all moving parts have come to a complete stop. Disconnect spark plug wire and negative battery cable on electric start models.



Be careful when replacing chipping knives and shredding knives, these parts are sharp.

NOTE: This Shredder Kit has two additional shredding knives to provide more complete shredding capability. Be sure to install shredding knives properly to maintain rotor balance.

- STEP 1:** Remove rotor shaft end cap.
- STEP 2:** Loosen set screw holding lock collar on the chipper side rotor bearing.
- STEP 3:** Tap the lock collar using a punch and hammer until loose and remove.
- STEP 4:** Remove chipper chute fasteners and chute from frame.
- STEP 5:** Remove socket head bolt and nut from shaft (1) (see drawing on page 13). Slide knife shaft from rotor assembly and discard old shaft, shredding knives, spacers, nut and bolt.
- STEP 6:** Install in shaft one (1) location new shaft, shredding knives, spacers, nut and bolt. Follow order of assembly shown in Figs. 1 & 2 for shaft one (1) on page 13.
- STEP 7:** Repeat steps 5 & 6 for shafts 2, 3 and 4. Be sure to install shredder knives and spacers as shown in Figs. 1 & 2 on page 13 for proper rotor balance.
- STEP 8:** Re-install chipper chute onto frame and tighten fasteners.
- STEP 9:** Adjust chipper knife clearance between chipping knives and chipping blocks to 1/16 to 1/8" as follows:
- A. Remove lower belt guard and discharge screen. Loosen set screw holding lock collars on rear rotor bearing. Loosen lock collar using a punch and hammer until it can be turned and removed.
 - B. Tap end of rotor shaft with rubber mallet until clearance between knife and chipping block is 1/16" to 1/8" for each knife (Fig. 3 on page 13).
 - C. Reinstall lock collars. Turn collar in direction of shaft rotation using a punch and hammer. Tighten set screws.
 - D. Check pulley alignment, using a straightedge. If necessary, loosen set screws on both pulleys and move them so that they are in line. Make sure that idler pulley contacts the center of the belt. Retighten set screws.
 - E. Install lower belt guard and discharge screen.

DECALS

WARNING ⚠ DANGER


Always use the tamper provided with the unit to push material through the inlet flaps into the hopper. Do not use sticks or rakes. Never use your hand to push material through the inlet flaps. Always wear eye protection which meets A.N.S.I. Z 87.1 standard. Goggles are provided with the unit.

999450-00210

1

999450-00210

WARNING ⚠ DANGER



- Rotating blades will cause serious personal injury.
- Keep hands and feet out of discharge opening and away from discharge area.
- Do not operate unless shield is properly in place. Blades coast to a stop. Keep bystanders at least 33 feet away.
- To avoid serious personal injury, stop engine, remove spark plug wire and allow machine to come to a complete stop before clearing obstructions or making adjustments.

999450-00170

3

999450-00170

WARNING ⚠ DANGER

- Read the operator manual before starting and using this equipment. If you need a replacement manual or decals, contact your Echo dealer or Echo, Incorporated, 400 Oakwood Road, Lake Zurich, IL 60047.
- Keep hands, feet, face and clothing out of shredder hopper inlet and chipper chute inlet and away from discharge area and moving parts to avoid serious injury.
- Keep hands and feet out of discharge opening when machine is running. Rotating cutting blades inside opening will cause serious personal injury.
- Wear ANSI approved safety goggles and ear protection.
- Do not wear loose fitting clothing, gloves.
- Wear durable footwear.
- Keep bystanders, children and pets at least 33 feet away from operating and discharge areas.
- If unit jams or becomes clogged, shut engine off right away and let all moving parts come to a complete stop. Disconnect the spark plug wire. Use only a wooden stick to clear away discharged material or blockage.
- Keep all shields and service door in place and securely attached.
- Do not use hands or feet to clear material from the discharge area.
- Do not install parts, or remove, adjust or service the discharge screen or any other part while the machine is running. Do not operate unit on uneven ground or on a paved, gravel or hard surface. Do not run engine in an enclosed area - exhaust gas contains poisonous carbon monoxide fumes.

TO START

1. MOVE ENGINE CHOKE LEVER TO "FULL CHOKE" POSITION. IF ENGINE HAS ALREADY BEEN RUNNING, DO NOT USE CHOKE LEVER.
2. MOVE ON-OFF SWITCH TO "ON" POSITION.
3. MOVE CLUTCH LEVER ALL THE WAY DOWN.
4. PULL START ROPE OUT FIRMLY TO START ENGINE. ON ELECTRIC START MODELS, TURN KEY TO START POSITION. MOVE ENGINE CHOKE LEVER TO "PARTIAL CHOKE" POSITION ONCE ENGINE STARTS. AFTER A FEW SECONDS, MOVE CHOKE LEVER TO "NO CHOKE" POSITION.
5. SLOWLY MOVE CLUTCH LEVER UP TO TRANSFER POWER TO THE INTERNAL ROTATING CUTTING BLADES.

TO STOP

1. MOVE ON-OFF SWITCH TO "OFF."
2. KEEP CLUTCH LEVER UP UNTIL ALL MOVING PARTS HAVE COME TO A COMPLETE STOP.

999450-00160

2

999450-00160

WARNING ⚠ DANGER

Rotating cutter blades. Do not operate unless discharge screen is bolted in place. →

999450-00180

999450-00180

4

WARNING ⚠ DANGER

If this shaft is turning, rotating blades can injure. Look at white mark on the bearing. ↓

999450-00190

5

999450-00190

WARNING ⚠ DANGER

Risks / Serious Injury - Violent reaction may occur

PULL IN - Branches may be quickly pulled by moving blade. Stubs on branches can catch on gloves, clothing, etc. and can pull hand into machine.

WHIPPING - Blade may cause violent whipping of material. Do not use rakes or sticks to push material into hopper. Use tamper supplied with unit.

THROWN OBJECTS - Pieces of material can be thrown back at operator or bystander. Stay in operator zone. Wear eye protection.

CLOGGING - Feeding oversized or excessively wet material will jam rotor blades and clog machine. Be sure blade has come to a complete stop, shut ignition, remove spark wire before clearing clog.

INLET FLAPS - Do not use the unit unless inlet flaps are in position. If flaps are broken or missing, do not use the unit until they are replaced.

999450-00120

6

999450-00150

WARNING ⚠ DANGER

CLUTCH LEVER


TO USE


1. Move lever down.
2. Start engine.
3. Slowly move lever up to make blades rotate.

IMPORTANT: MOVING LEVER DOWN WILL NOT STOP BLADE MOTION.

TO STOP BLADE MOTION

1. Lever must be up.
2. Shut engine off - blades slow gradually.
3. Let all parts completely stop.

To engage power to shredder:  UP


To disengage power to shredder:  DOWN

999450-00220

9

999450-00220

WARNING ⚠ DANGER



ROTATING CUTTING BLADES
Keep hands and feet out of inlet and discharge opening while machine is operating. To avoid serious personal injury, stop engine, remove spark plug wire allow machine to come to a complete stop before clearing obstruction or making adjustments.

999450-00230

7

999450-00230

WARNING ⚠ DANGER

Do not start engine unless belt cover is securely attached. Failure to comply could result in personal injury from moving belt and pulleys. See operator manual for full safety and maintenance instructions.

999450-00250

10

999450-00250

WARNING ⚠ DANGER

If you need replacement manual or decals, contact your ECHO dealer or ECHO, INCORPORATED, 400 Oakwood Road, Lake Zurich, Illinois 60047.

999450-00240

8

999450-00240

WARNING ⚠ DANGER

To avoid a fire, keep leaves, grass and other combustible materials away from hot engine muffler. Always wipe up fuel spills. Do not start within ten feet of fueling location. Use long neck flexible fuel filler spout.

999450-00200

11

999450-00200

SH-3000, 5000, 8000/E/I.C./R.

KEY	PART NUMBER	QTY	DESCRIPTION	REMARKS
1	999450 00210	1	DECAL	
2	999450 00160	1	DECAL	
3	999450 00170	1	DECAL	
4	999450 00180	1	DECAL	
5	999450 00190	1	DECAL	
6	999450 00150	1	DECAL	
7	999450 00230	1	DECAL	
8	999450 00240	1	DECAL	
9	999450 00220	1	DECAL	
10	999450 00250	1	DECAL	
11	999450 00200	1	DECAL	

ACCESSORIES

999450 00010	PROTECTIVE COVER
999450 00020	FINE SCREEN 3/8" HOLE (3 & 5 HP)
999450 00030	MEDIUM SCREEN 3/4" HOLE (3 & 5 HP)
999450 00040	COARSE SCREEN 1-1/2" HOLE (3 & 5 HP)
999450 00050	FINE SCREEN 3/8" HOLE (8 HP)
999450 00060	MEDIUM SCREEN 3/4" HOLE (8 HP)
999450 00070	COARSE SCREEN 1-1/2" HOLE (8 HP)
999450 00080	TOW HITCH (NOT FOR HIGHWAY)
999450 00090	LEAF TAMPER
999450 00100	DEBRIS BAG
* 999450 00110	CHIPPER KNIFE KIT
* 999450 00120	3 HP ENGINE MAINTENANCE KIT
* 999450 00130	5 HP ENGINE MAINTENANCE KIT
* 999450 00140	8 HP ENGINE MAINTENANCE KIT
999451 00150	WET DEBRIS SCREEN (3 & 5 HP)
999415 00160	WET DEBRIS SCREEN (8 HP)
999451 00170	DUAL BELT KIT (SH-8000R)
999451 00180	TOOL STEEL CHIPPER BLADE KIT
999451 00190	BLOWER ATTACHMENT (5 HP)
999451 00200	BLOWER ATTACHMENT (8 HP)

* KITS CONTAIN THE FOLLOWING ITEMS:

BRIGGS & STRATTON AIR FILTER ELEMENT
PTO BELT
SPARK PLUG
KNIFE SET