



Accessories for ECHO products can be found at:  
 Los accesorios para los productos ECHO se pueden encontrar en:  
[www.echo-usa.com/products/catalogs](http://www.echo-usa.com/products/catalogs)

**PARTS CATALOG  
 LISTA DE PIEZAS**

**SC-4213  
 Chipper / Shredder**

**OPTIONAL ACCESSORIES & ATTACHMENTS:**

LEAF TAMPER	99944300009
ALL WEATHER COVER	99944300008
BLOWER, 2-BLADE RADIAL FAN	99944300012
KIT, 3" DEBRIS BAG	99944300011
KIT, WIDE SHREDDER	99944300014
KIT, TWO WHEEL TOW	99944300010
SCREEN, FINE (3/8" DIA)	99944300000
SCREEN, MEDIUM (3/4" DIA)	99944300001
SCREEN, COARSE (1-3/8" DIA)	99944300002
KIT, CHIPPER BLADE	99944300013
SCREEN, WET DEBRIS	99944300003
KIT, SPARK ARRESTER (Briggs 306/420cc)	YH460000210



**420 cc**

**SERIAL NUMBER  
 NÚMERO DE SERIE**

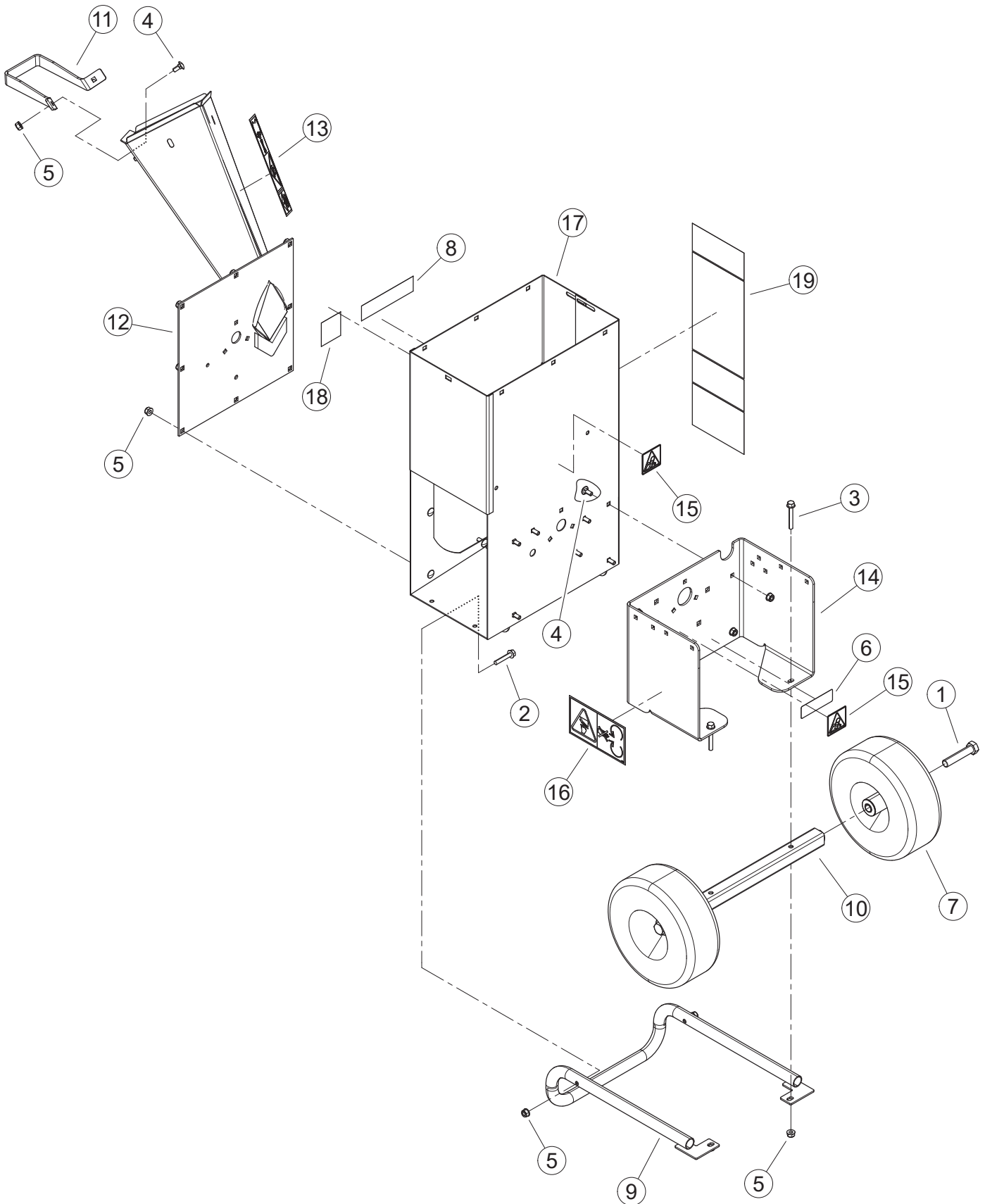
**220SCB000001 to 220SCB999999**

**ECHO Incorporated**  
 400 Oakwood Road, Lake Zurich, Illinois 60047  
[WWW.ECHO-USA.COM](http://WWW.ECHO-USA.COM)

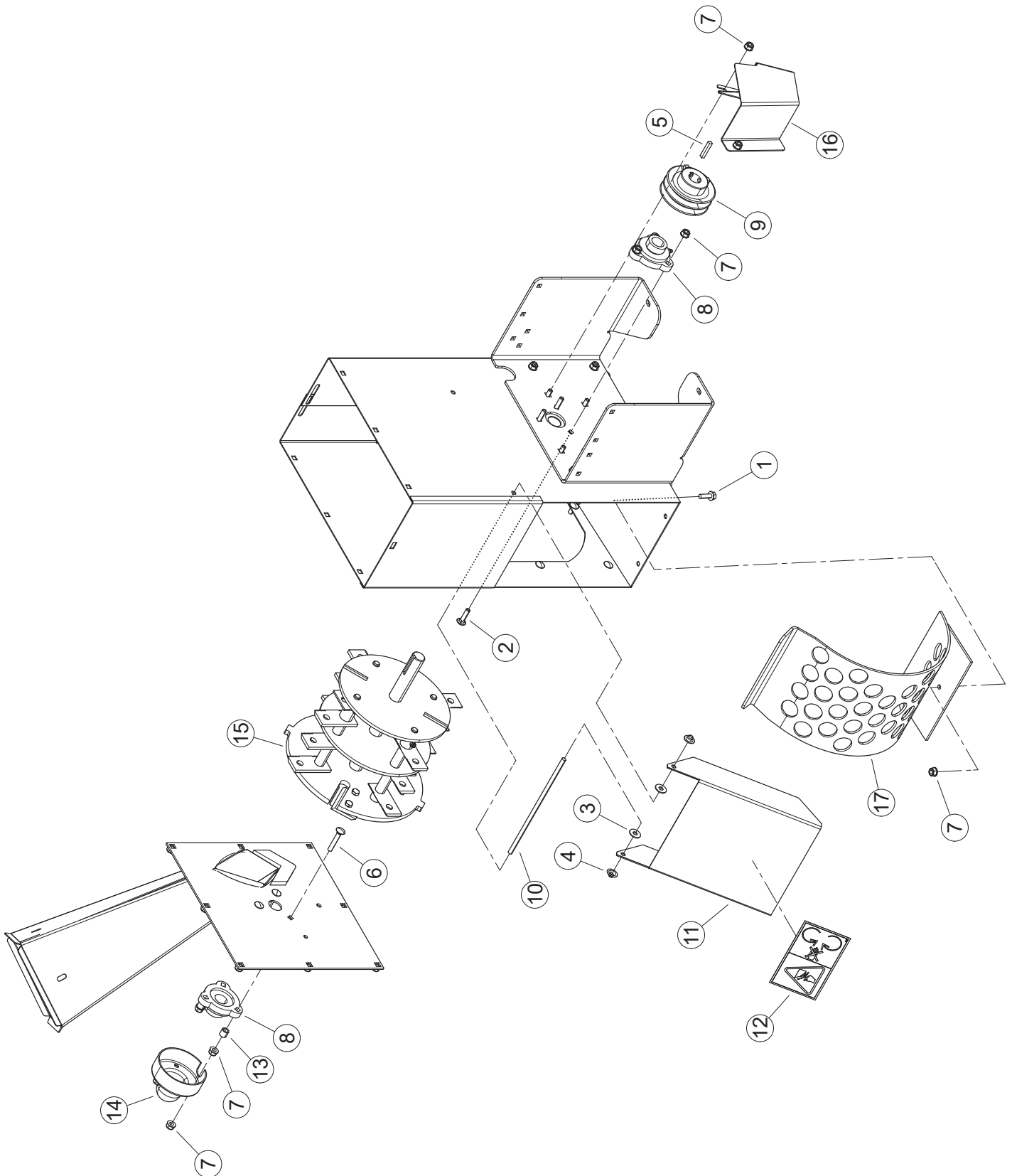
P/N 99922205575

---

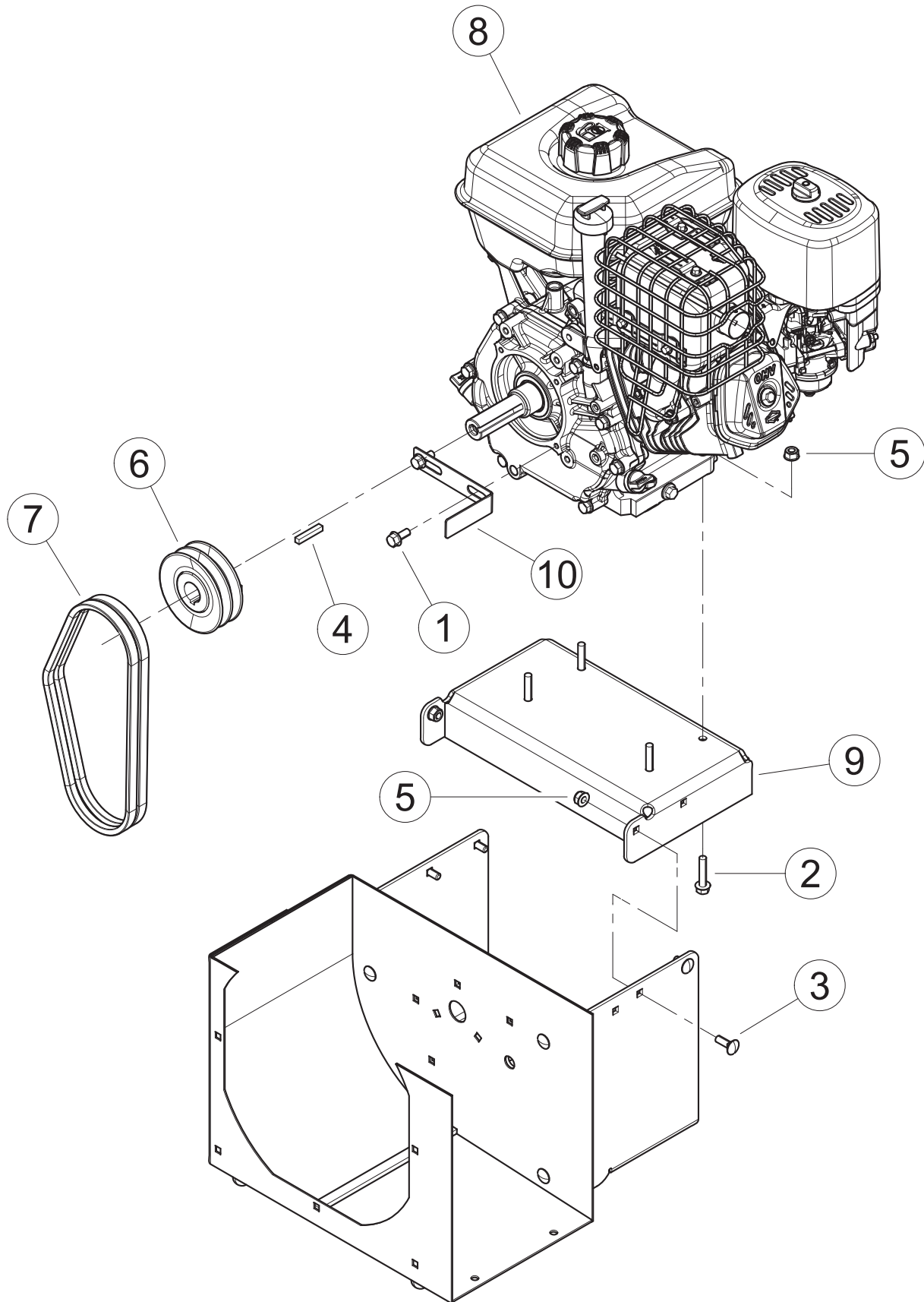
<b>Body</b> .....	<b>2</b>
<b>Body</b> .....	<b>3</b>
<b>Rotor &amp; Bearings</b> .....	<b>4</b>
<b>Rotor &amp; Bearings</b> .....	<b>5</b>
<b>Engine</b> .....	<b>6</b>
Motor	
<b>Engine</b> .....	<b>7</b>
Motor	
<b>Idler</b> .....	<b>8</b>
<b>Idler</b> .....	<b>9</b>
<b>Hopper</b> .....	<b>10</b>
<b>Hopper</b> .....	<b>11</b>



ITEM	PART NUMBER	QTY	DESCRIPTION
1	YH434000010	2	BOLT, 5/8 × 3 HEX HD GR5 ZP
2	YH436000070	2	BOLT, 5/16 × 1-3/4 FLANGE NC
3	YH436000080	2	BOLT, 5/16 × 2-1/4 FLANGE NC
4	YH434000050	14	BOLT, 5/16 × 3/4 GR5 CRG NC ZP
5	YH449000040	18	NUT, 5/16-18 NYLOCK FLANGE
6	-	1	DECAL, SERIAL NUMBER
7	YH478000060	2	ASSEMBLY, 410/350-4 FLAT-FREE WHEEL
8	YH653000490	1	+DECAL, MODEL SC-4213
9	YH479001440	1	WELDMENT, SUPPORT LEG LONG
10	YH479001570	1	WELDMENT, AXLE 3 IN CHIPPER
11	YH466000410	1	HANDLE, CHIPPER CHUTE 3 IN
12	YH479001610	1	ASSEMBLY, 3 IN FRONT PLATE COMP (includes Item 13)
13	YH653000210	1	+DECAL, 3" CHIPPER CHUTE
14	YH479001630	1	ASSEMBLY, BASE 3 IN CHIPPER SERVICE (includes Items 15 & 16)
15	YH653000170	2	+DECAL, SHIELD DANGER ISO
16	YH653000180	1	+DECAL, BLADE DANGER ISO
17	YH479001640	1	ASSEMBLY, 3" C/S WIDE BODY SERVICE (INCLUDES ITEMS 8, 15, 18, AND 19)
18	YH653000220	1	+DECAL, 3" CHIPPER BODY SIDE
19	YH653000290	1	+DECAL, SPARK ARRESTOR

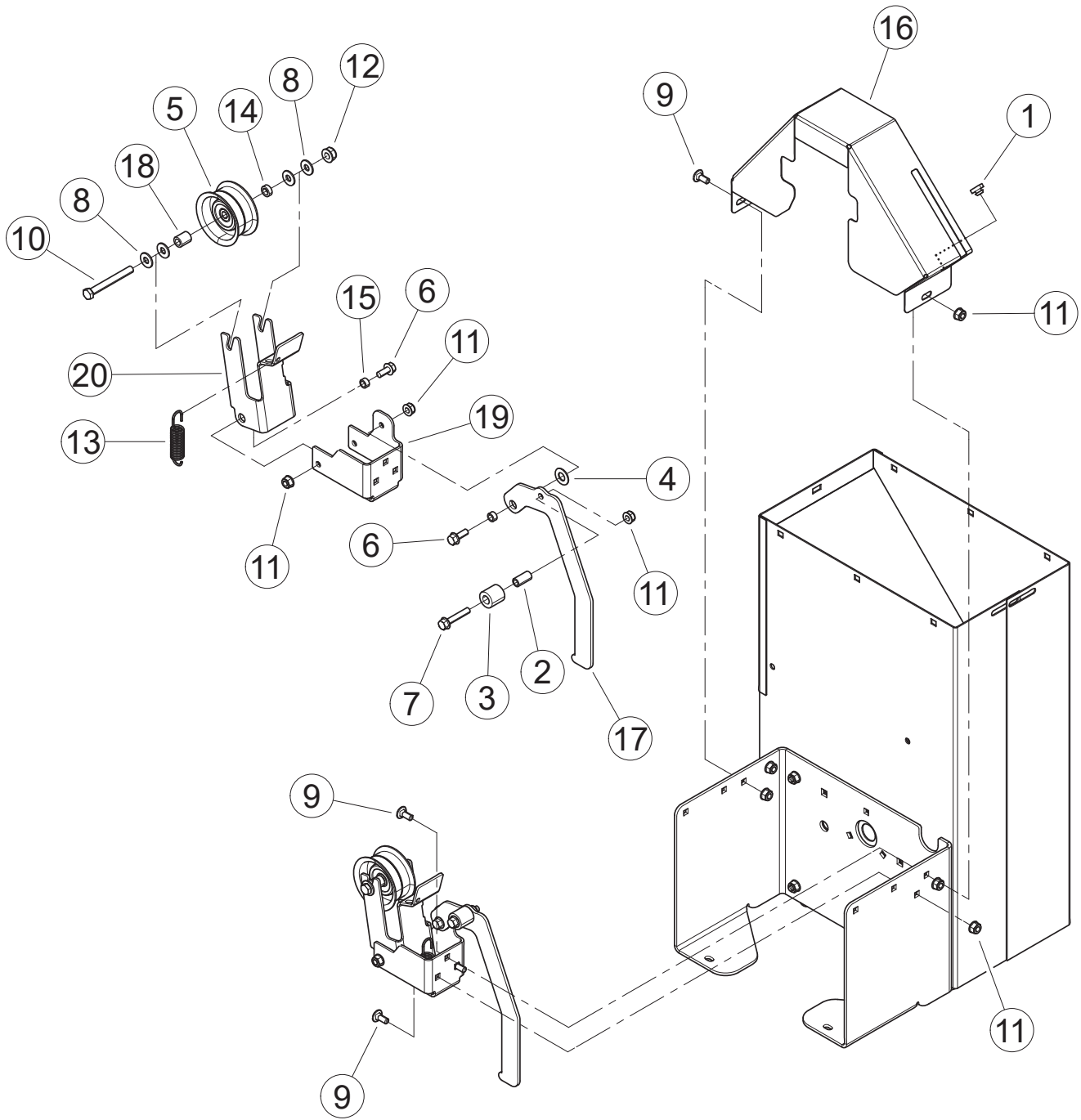


ITEM	PART NUMBER	QTY	DESCRIPTION
1	YH436000050	4	BOLT, 5/16 × 1 FLANGE NC
2	YH434000060	3	BOLT, 5/16 × 1-1/4 GR5 CRG
3	YH451000470	2	WASHER, 5/16" ID 7/8" OD NYLON FLAT
4	YH452000660	2	PUSHNUT, 5/16" ZP
5	YH469000050	1	KEY, 1/4 SQ × 1-1/2 LG PLAIN
6	YH434000080	3	BOLT, 5/16 × 2" GR5 CRG NC ZP
7	YH449000040	13	NUT, 5/16-18 NYLOCK FLANGE
8	YH453000120	2	BEARING, 1" FLUSH MOUNT CAST W/ COLLAR
9	YH472000040	1	PULLEY, CAST 4" OD 1" BORE B GRV
10	YH466000440	1	SHAFT, DOOR PIVOT
11	YH479000810	1	DOOR, DISCHARGE 8 HP W/ DECAL (includes Item 12)
12	YH653000180	1	+DECAL, BLADE DANGER ISO
13	YH475000090	3	SPACER, .54 OD × .50" LG
14	YH468000110	1	CAP, ROTOR SHAFT END CAP RENTAL
15	YH457000080	1	ASSEMBLY, WIDE ROTOR W/ RECT KNIVES
16	YH479001030	1	SHIELD, LOWER
17	99944300002	1	WELDMENT, WIDE COARSE TAPERED

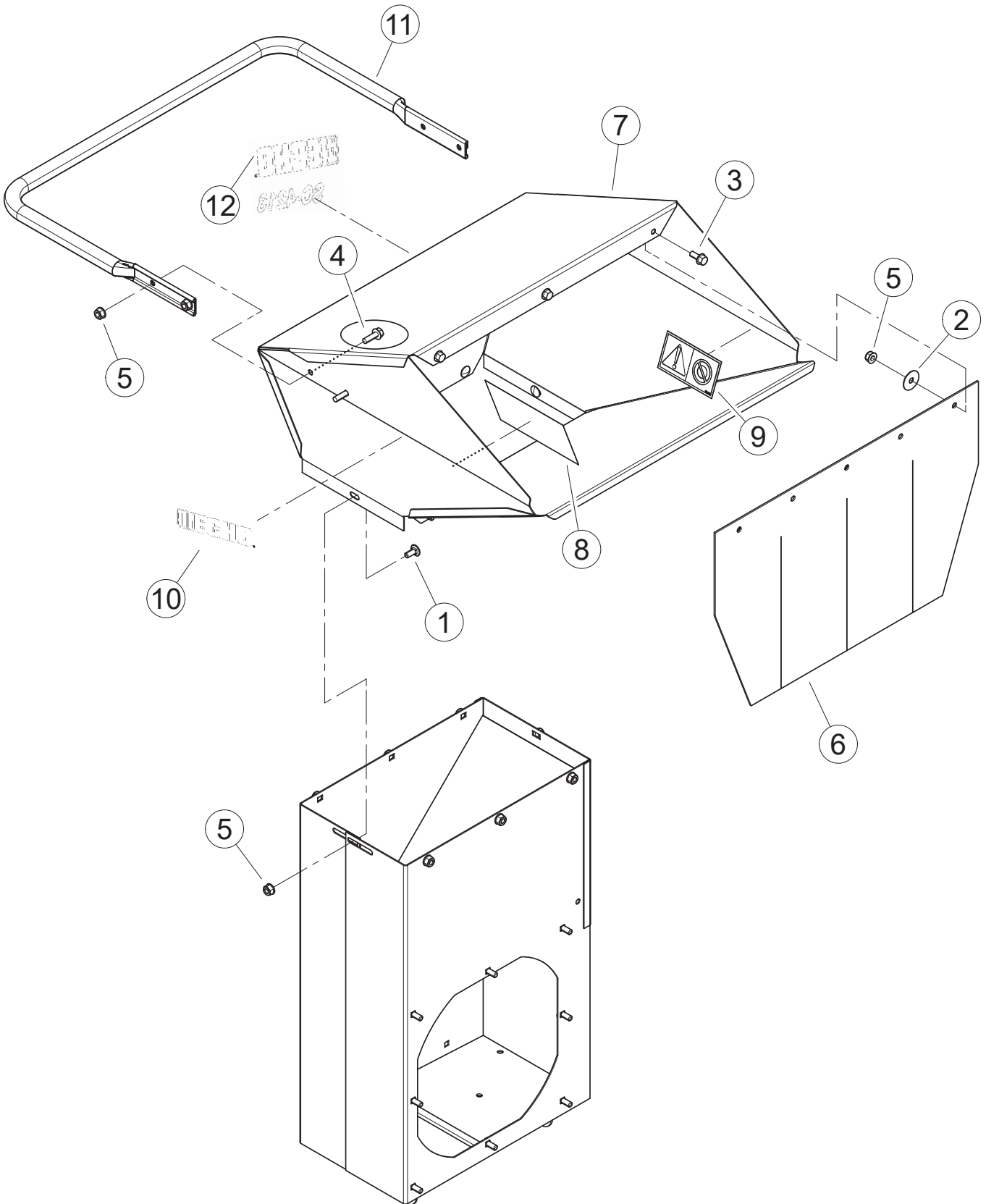


ITEM	PART NUMBER	QTY	DESCRIPTION
1	YH436000020	2	BOLT, 5/16 × 3/4 SERRATED FLANGE NF
2	YH436000060	4	BOLT, 5/16 × 1-1/2 FLANGE NC
3	YH434000030	4	BOLT, 5/16 × 1" GR5 CRG ZP
4	YH469000050	1	KEY, 1/4 SQUARE × 1-1/2 LONG PLAIN
5	YH449000040	8	NUT, 5/16-18 NYLOCK-FLANGE
6	YH472000060	1	PULLEY, 4 X1 2A GROOVE
7	YH454000010	1	BELTS, HAH29.1 EL MATCHED SET
8	-	1	ENGINE, 420cc B&S HORIZONTAL
9	YH479000890	1	PLATE, ENGINE MOUNTING
10	YH466000320	1	GUIDE, BELT





ITEM	PART NUMBER	QTY	DESCRIPTION
1	YH468000490	1	BUMPER, RUBBER
2	YH475000190	1	SPACER, 0.5 × 1.00
3	YH453000130	1	ROLLER, 0.5 × 1.00 × 1.00 NYLON
4	YH451000480	1	WASHER, 1/2 INCH NYLON
5	YH472000080	1	IDLER, 2.75 × 1.25
6	YH436000030	2	BOLT, 5/16 × 7/8 FLANGE NC
7	YH436000070	1	BOLT, 5/16 × 1-3/4 FLANGE NC
8	YH451000440	4	WASHER, 5/16 FLAT ZP
9	YH434000050	4	BOLT, 5/16 × 3/4 GR5 CRG NC ZP
10	YH434000090	1	BOLT, 3/8 × 3-1/4 HEX GR5 ZP
11	YH449000040	7	NUT, 5/16-18 NYLOCK-FLANGE
12	YH449000050	1	NUT, 3/8-16 NYLOCK FLANGE
13	YH476000170	1	SPRING, 3/4" OD EXTENSION
14	YH475000080	1	SPACER, IDLER PIVOT
15	YH475000180	1	SPACER, .50 × .25
16	YH479001020	1	SHIELD, UPPER
17	YH470000860	1	HANDLE, ENGAGEMENT
18	YH475000250	1	SPACER, 5/8 OD × 11 GA × 0.88
19	YH479001600	1	MOUNT, IDLER BRACKET
20	YH479001600	1	BRACKET, IDLER 3 IN CHIPPER



ITEM	PART NUMBER	QTY	DESCRIPTION
1	YH434000110	8	BOLT, 5/16-18 × 3/4 SN GR5 CRG
2	YH451000070	3	WASHER, 5/16" FENDER ZP
3	YH436000010	3	BOLT, 5/16 × 3/4 FLANGE NC
4	YH436000050	4	BOLT, 5/16 × 1 FLANGE NC
5	YH449000040	15	NUT, 5/16-18 NYLOCK FLANGE
6	YH479000840	1	BELTING, RENTAL HOPPER
7	YH479002200	1	ASSEMBLY, WIDE BODY RENTAL HOPPER W/ DECALS (includes Items 8, 9, 10 & 12).
8	YH653000180	1	+DECAL, BLADE DANGER ISO
9	YH653000190	1	+DECAL, SHREDDER SIZE ISO
10	YH653000670	2	+DECAL, ECHO
11	YH479000970	1	HANDLE, RENTAL HOPPER
12	YH653000490	1	+DECAL, SC-4213 ECHO