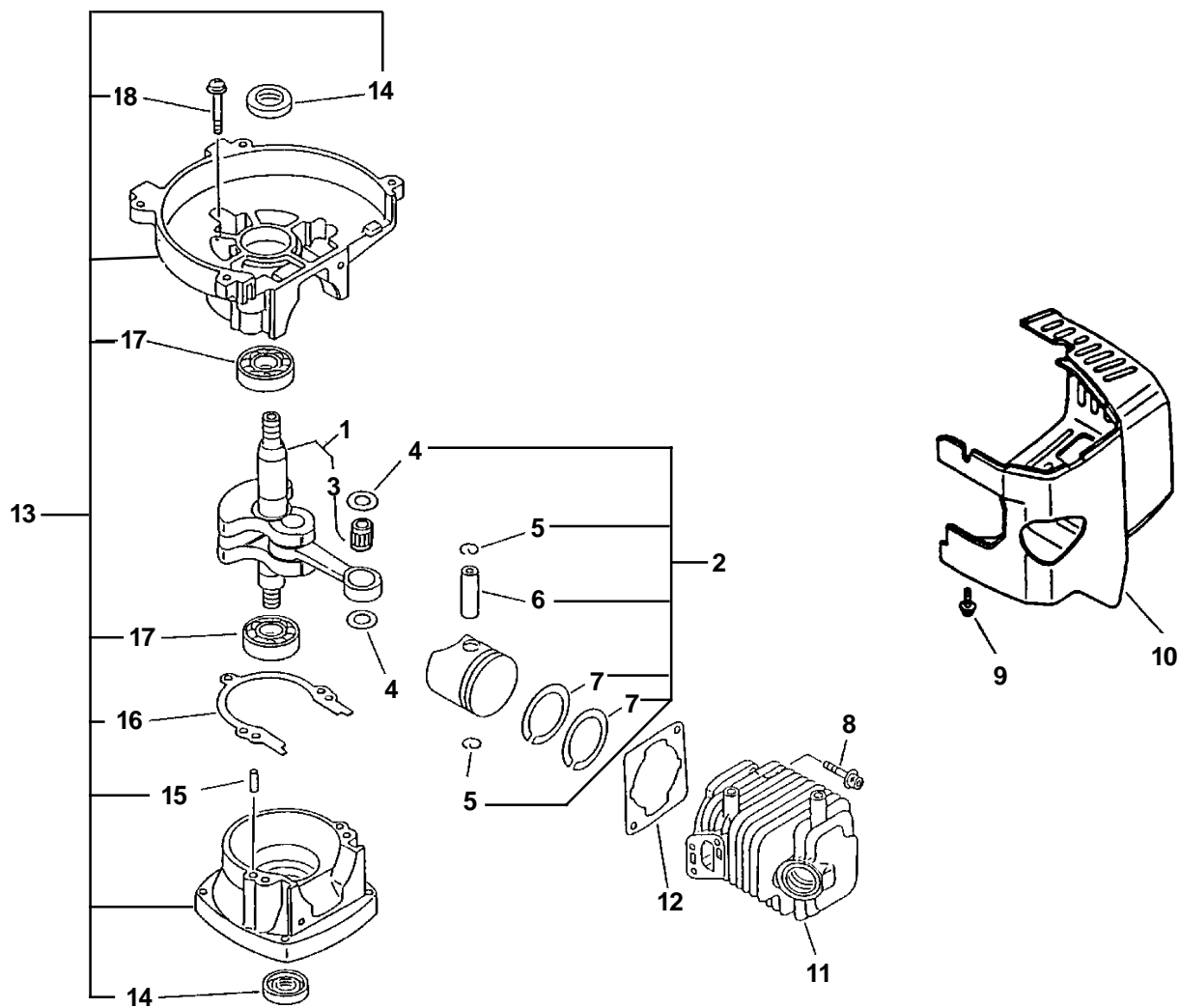




**HEDGE CLIPPER  
MODEL HC-1500  
TYPE 1E  
SERIAL NUMBER 001001 & UP**

**ECHO, INCORPORATED  
400 OAKWOOD ROAD  
LAKE ZURICH, IL 60047**

**99922202758  
10/99**



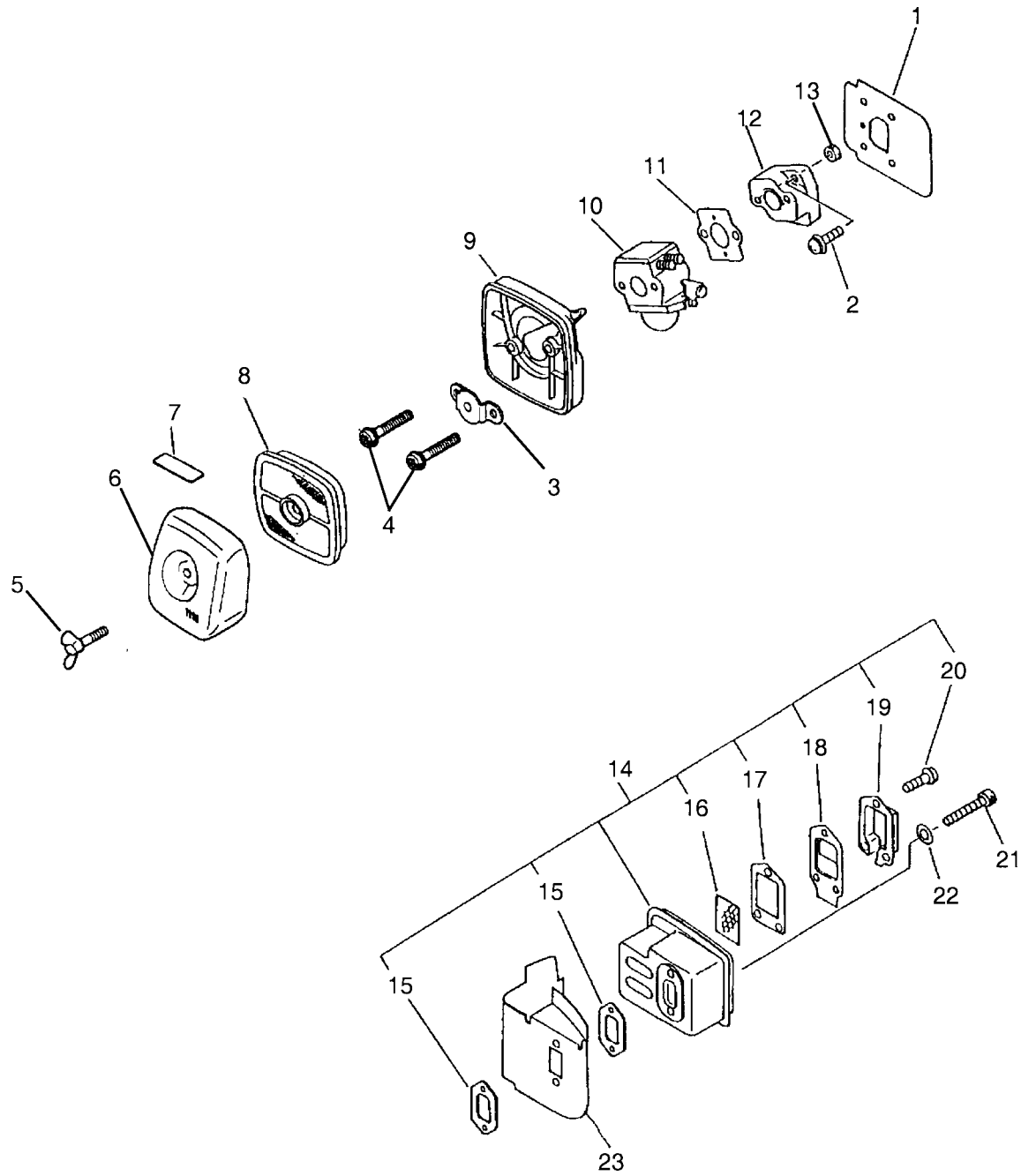
KEY	PART NUMBER	QTY	DESCRIPTION	REMARKS
1	-----	1	CRANKSHAFT ASY	(USE SB1031)
2	10000006961	1	PISTON KIT	INCLUDES ITEMS 3 - 7
3	10011305930	1	BEARING, NEEDLE	
4	10001408960	2	SPACER, PISTON PIN	
5	10001504630	2	CIRCLIP, PISTON PIN	
6	10001311520	1	PIN, PISTON	
7	10001105330	2	RING, PISTON	
8	90016205022	2	BOLT, H.S. 5X22	
9	90016204020	2	BOLT 4X20	
10	10151406560	1	COVER, CYLINDER	
11	10101106562	1	CYLINDER	
12	10101044332	1	GASKET, CYLINDER BASE	INCLUDED IN KIT 88900006560
13	-----	1	CRANKCASE SET	INCLUDES ITEMS 14 - 18 (USE SB1031)
14	10021242030	2	OILSEAL	
15	10021503930	2	PIN, DOWEL	
16	-----	1	GASKET, CRANKCASE	USE KIT 88900006560
17	90081036201	2	BEARING, BALL 6201	
18	90016205028	3	BOLT 5X28	

**ENGINE REPOWER**

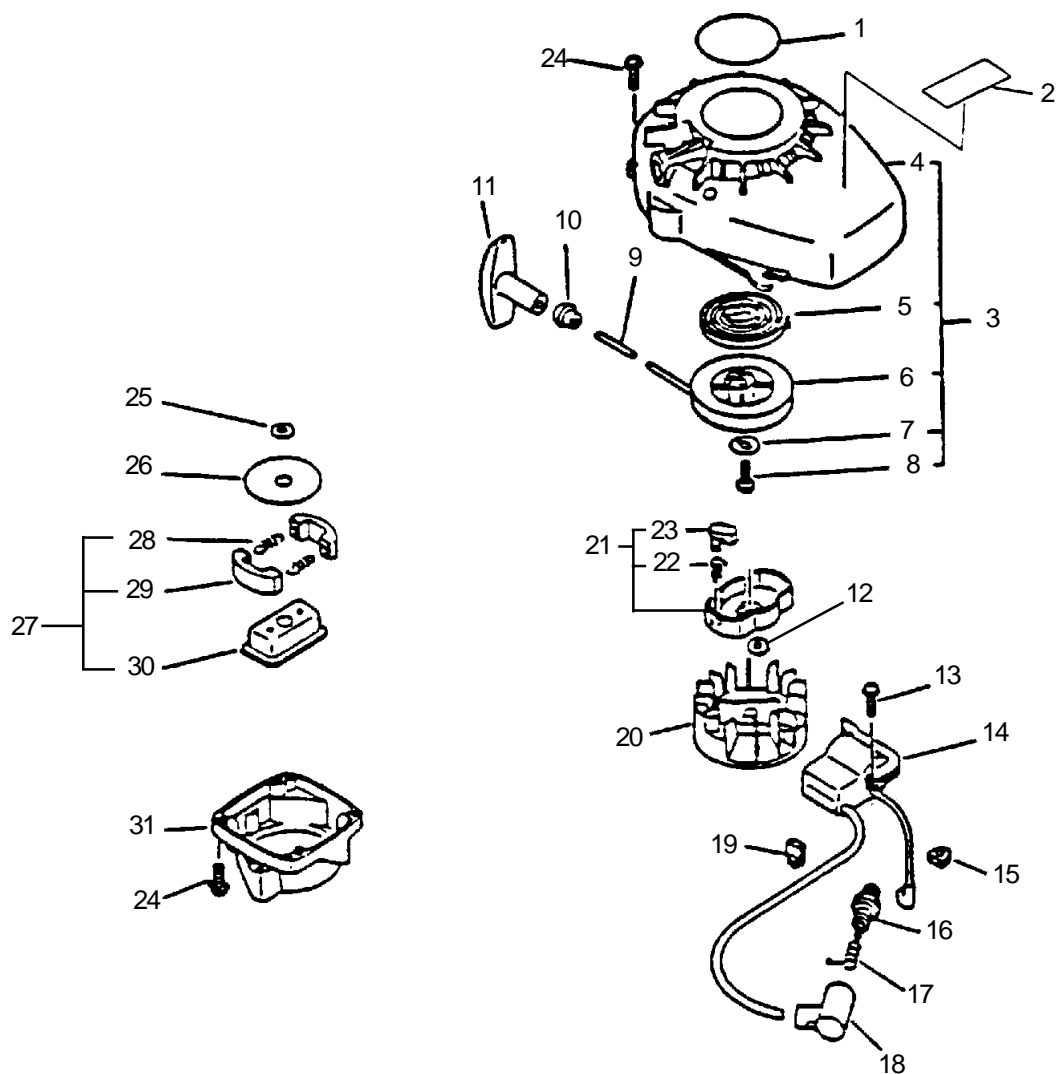
	SB1031	1	SHORT BLOCK	INCLUDES FACTORY ASSEMBLED CYLINDER, CRANKCASE, PISTON, CRANKSHAFT, BEARINGS, SEALS AND GASKETS
	88900006560	1	GASKET KIT	INCLUDES THE FOLLOWING
	10101044332	1	GASKET, CYLINDER BASE	
	-----	1	GASKET, CRANKCASE	
	13001042032	1	GASKET, INTAKE	
	13001642031	1	GASKET, INTAKE	
	14551042031	2	GASKET, MUFFLER	
	14586642031	1	GASKET, MUFFLER LID	
	61041405360	1	GASKET, GEAR HOUSING	

# HC-1500 TYPE 1E

## INTAKE, EXHAUST, AIR FILTER



KEY	PART NUMBER	QTY	DESCRIPTION	REMARKS
1	13001042032	1	GASKET, INTAKE	INCLUDED IN KIT 88900006560
2	90023805020	2	SCREW 5X20	
3	12901152730	1	PLATE, PREVENT	
4	90024205065	2	SCREW 5X65	
5	21041752730	1	BOLT, WING	
6	13031306562	1	COVER, AIR CLEANER	
7	89012106360	1	LABEL, CHOKE	
7	89012105360	1	LABEL, CHOKE	CANADIAN MODELS
8	13031006560	1	FILTER, AIR STD	
8	13031054130	1	FILTER, AIR H.D.	INCLUDED IN FILTER KIT 90008
9	13030706561	1	CASE, AIR CLEANER	
10	12520005962	1	CARBURETOR C1U-K51A	
11	13001642031	1	GASKET, INTAKE	INCLUDED IN KIT 88900006560
12	13001742031	1	INSULATOR	
13	90050000005	2	NUT 5	
14	14580005361	1	MUFFLER ASY	INCLUDES ITEMS 15 - 20
15	14551042031	2	GASKET, MUFFLER	INCLUDED IN KIT 88900006560
16	14586240630	1	SCREEN, MUFFLER	
17	14586642031	1	GASKET, MUFFLER LID	INCLUDED IN KIT 88900006560
18	14587642030	1	LID, MUFFLER	
19	14586306560	1	FIXTURE, SCREEN	
20	90024204010	3	SCREW 4X10	
21	90010505050	2	BOLT, H.S. 5X50	
22	90060000005	2	WASHER 5	
23	14587105360	1	COVER, MUFFLER	



## STARTER, IGNITION, CLUTCH

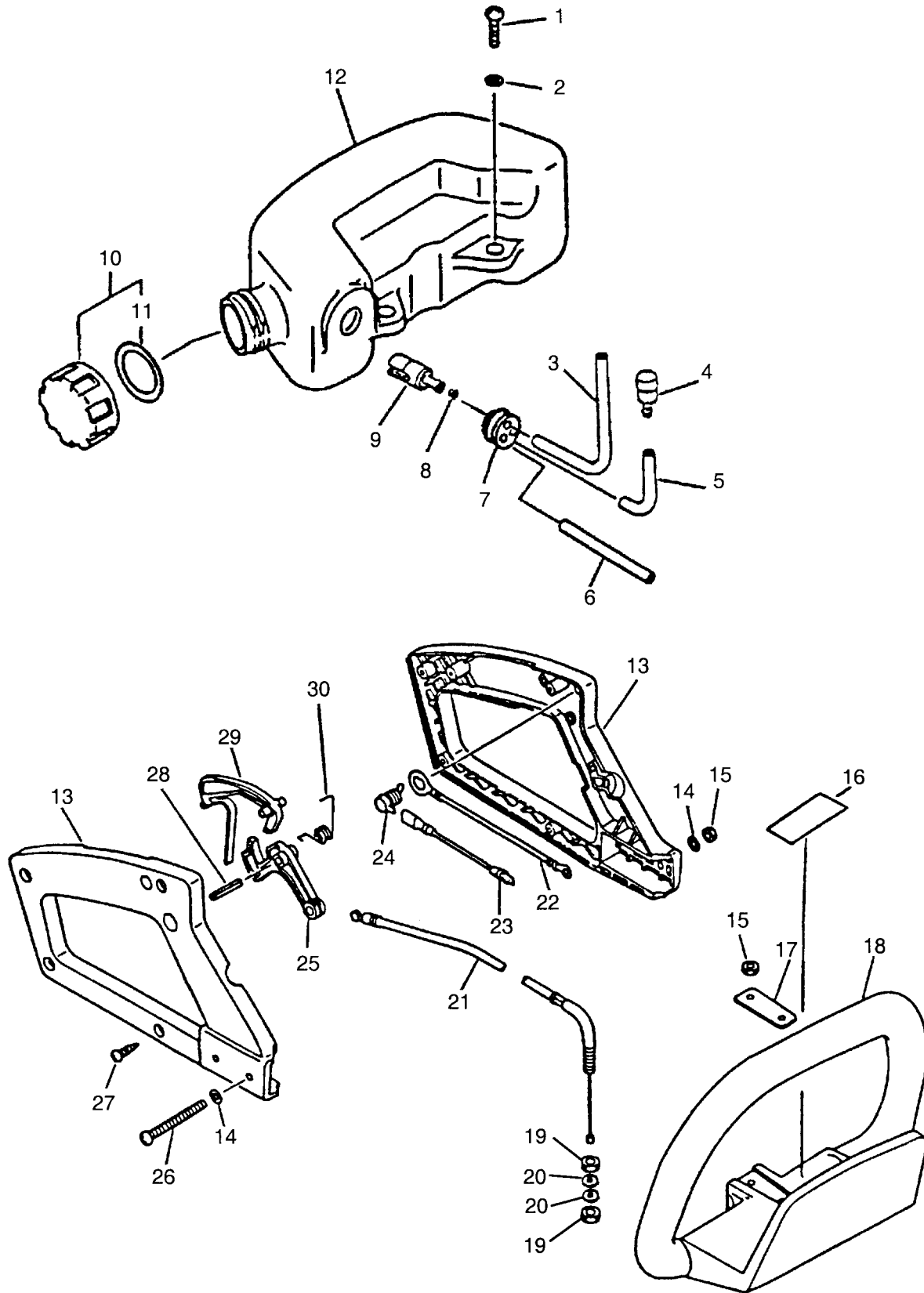
## HC-1500 TYPE 1E

KEY	PART NUMBER	QTY	DESCRIPTION	REMARKS
1	89011506561	1	LABEL, ECHO	
2	89016007760	1	LABEL, MODEL & CAUTION	
2	89016007761	1	LABEL, MODEL & CAUTION	CANADIAN MODELS
3	17720012220	1	STARTER ASY	INCLUDES ITEMS 4 - 11
4	-----	1	COVER, FAN	ORDER COMPLETE ASY
5	17722042030	1	SPRING, REWIND	
6	17721544430	1	DRUM, STARTER	
7	17721442030	1	WASHER	
8	17723640630	1	SCREW	
9	17722605530	1	ROPE, STARTER	USE BULK ROPE 99944400040 DIA. .12" (3.0MM) X 35.0" (890MM)
10	17722742030	1	GUIDE, ROPE	
11	17722806530	1	GRIP, STARTER	
12	90060500008	1	WASHER 8	
13	90016204022	2	BOLT 4X22	
14	15062611820	1	COIL, IGNITION	
15	15611404920	1	GROMMET	
16	15901012330	1	PLUG, SPARK (BPM-6A)	
16	15901712330	1	PLUG, SPARK (RCJ-8Y)	CANADIAN MODELS
17	15901103432	1	COIL, SPARK PLUG CAP	
18	15901201620	1	CAP, SPARK PLUG	
19	15611004920	1	BUSHING	
20	15680144330	1	FLYWHEEL	
21	17720244330	1	PAWL ASY, STARTER	INCLUDES ITEMS 22 & 23
22	17723442030	1	SPRING, RETURN	
23	17721844330	1	PAWL, STARTER	
24	90016204016	6	BOLT 4X16	
25	17501405360	1	WASHER, CLUTCH	
26	17501904920	1	PLATE, CLUTCH	
27	17500006560	1	CLUTCH ASY	INCLUDES ITEMS 28 - 30
28	17501805960	2	SPRING, CLUTCH	
29	17500905131	2	SHOE, CLUTCH	
30	17501604920	1	HUB, CLUTCH	
31	17505505360	1	HOUSING, CLUTCH	

REVISED 10/99

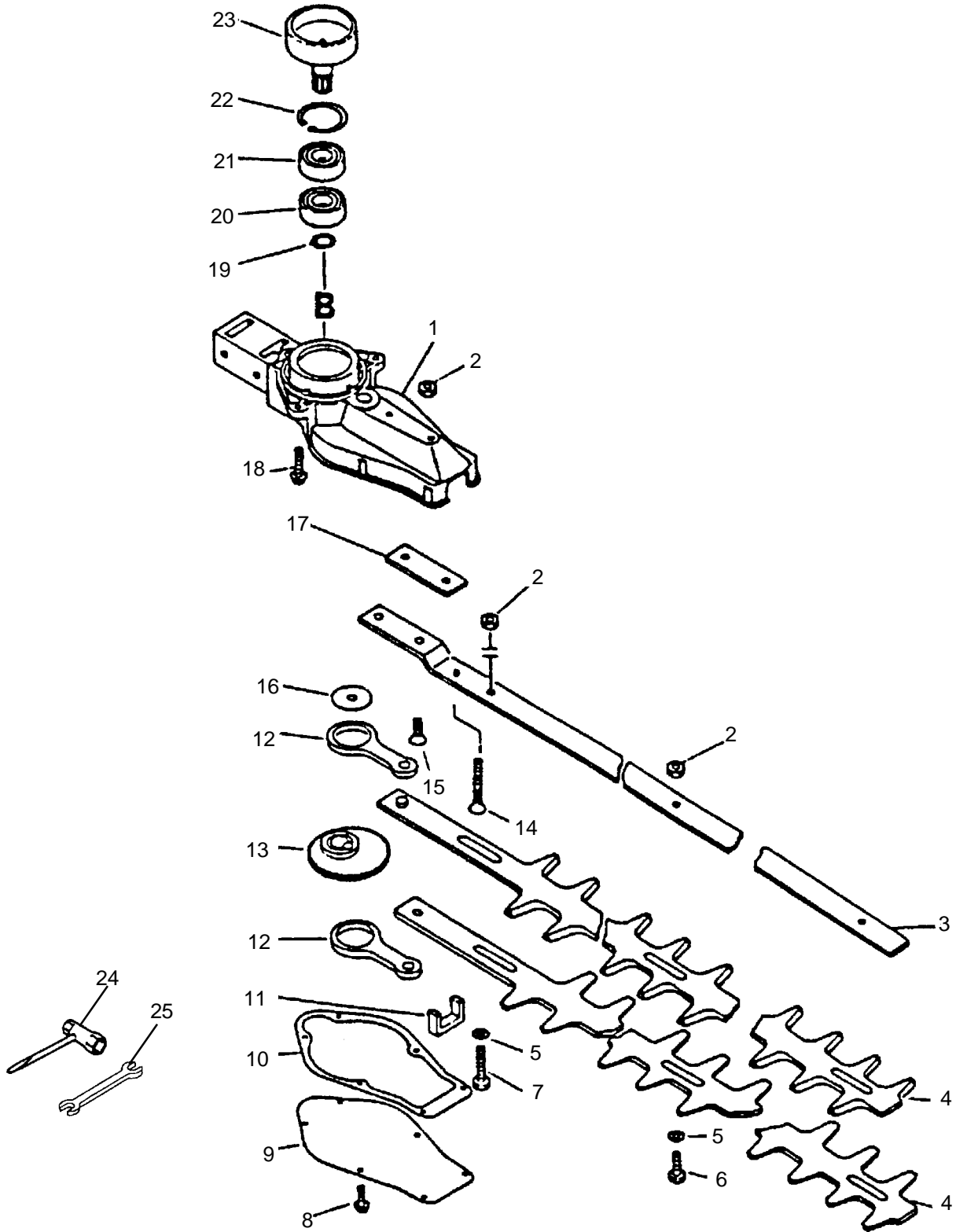
# HC-1500 TYPE 1E

## HANDLES, THROTTLE, STOP SWITCH, FUEL SYSTEM

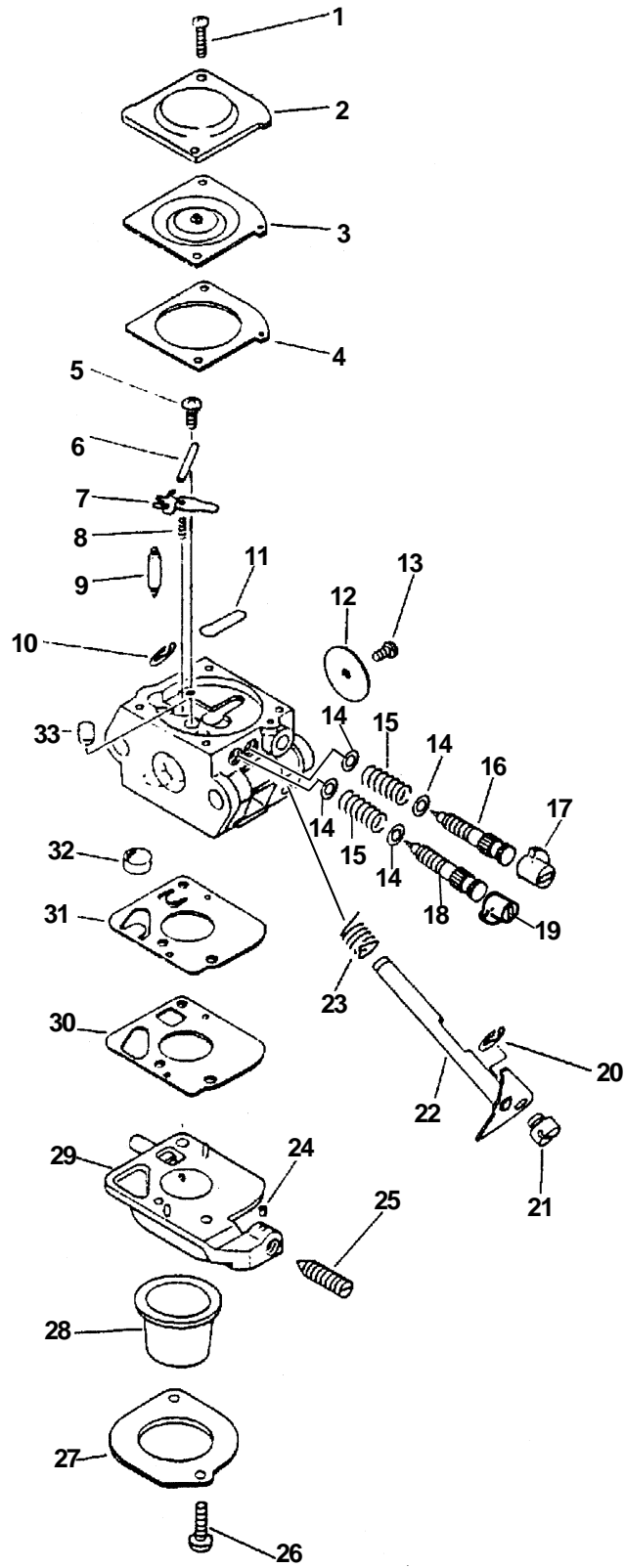




KEY	PART NUMBER	QTY	DESCRIPTION	REMARKS
1	90023805016	2	SCREW 5X16	
2	90060300005	2	WASHER 5	
3	13201007530	1	PIPE, FUEL 3X5X195	
4	13130056430	1	VENT ASY	INCLUDED IN CAP/VENT KIT 90010
5	13271750430	1	PIPE, 3X6X70	
6	13201006460	1	PIPE, RETURN 3X6X10	
7	13211546730	1	GROMMET	
8	13201309820	1	CLIP	
9	13120507320	1	STRAINER, FUEL	INCLUDED IN FILTER KIT 90008
10	13100455830	1	CAP ASY, FUEL TANK	INCLUDES ITEM 11 (USE CAP/VENT KIT 90010)
11	13101655830	1	GASKET, FUEL TANK CAP	
12	13100505360	1	TANK, FUEL	
13	35110006560	1	HANDLE SET, REAR	
14	90060000005	4	WASHER 5	
15	90056000005	3	LOCKNUT 5	
16	89031705160	1	LABEL, CAUTION	CANADIAN MODELS
17	35161105360	1	WASHER, PLATE	
18	35161005360	1	HANDLE, FRONT	
19	90050200006	2	NUT 6 (3)	
20	90060000006	2	WASHER 6	
21	17800105360	1	WIRE, THROTTLE	
22	16201005360	1	LEAD, GROUND	
23	16201405360	1	LEAD, GROUND	
24	16340003460	1	SWITCH, IGNITION	
25	17801006560	1	CONTROL, THROTTLE	
26	90022005047	2	SCREW 5X47	
27	90025504016	5	SCREW 4X16	
28	90034250025	1	PIN, SPRING 5X25	
29	17809006560	1	LOCKOUT, THROTTLE CONTROL	
30	17804315130	1	SPRING, THROTTLE RETURN	



KEY	PART NUMBER	QTY	DESCRIPTION	REMARKS
1	61040705360	1	CASE, GEAR	
2	43302206460	6	LOCKNUT 6	
3	69911006960	1	BAR, FRAME	
4	69701006960	2	CUTTER	
5	69911804560	4	WASHER	
6	69911504560	3	BOLT, CUTTER	
7	69911505360	1	BOLT, CUTTER	
8	90016204010	6	BOLT 4X10	
9	61041105361	1	COVER, GEAR CASE	
10	61041405360	1	GASKET, GEAR HOUSING	INCLUDED IN KIT 88900006560
11	61042504560	1	FELT	
12	61033004560	2	ROD, CONNECTING	
13	61031204560	1	GEAR	
14	90021205030	1	SCREW 5X30	
15	90021206025	2	SCREW 6X25	
16	61035004560	1	WASHER	
17	61044004560	1	HOLDER, FRAME	
18	90016205020	3	BOLT 5X20	
19	90070100014	1	CIRCLIP 14	
20	90081036202	1	BEARING, BALL 6202	
21	90081336202	1	BEARING, BALL 6202	
22	90070200035	1	CIRCLIP 35	
23	17500504560	1	DRUM, CLUTCH	
24	89541006960	1	WRENCH, W/SCREWDRIVER	
25	89511200330	1	SPANNER 8X10	



## CARBURETOR

## HC-1500 TYPE 1E

KEY	PART NUMBER	QTY	DESCRIPTION	REMARKS
	12520005962	1	CARBURETOR C1U-K51A	INCLUDES THE FOLLOWING ITEMS
1	12534452130	2	SCREW	
2	12534213210	1	COVER, METERING CHAMBER	
3	A B	1	DIAPHRAGM, METERING	
4	A B	1	GASKET, DIAPHRAGM METERING	
5	12533942030	1	SCREW, METERING PIN	
6	A	1	PIN, METERING LEVER	
7	A	1	LEVER, METERING	
8	A	1	SPRING, METERING LEVER	
9	A	1	VALVE, NEEDLE	
10	12532715130	1	CLIP, THROTTLE SHAFT	
11	A	1	PLUG, WELCH	
12	12531649030	1	VALVE, THROTTLE	
13	12531413930	1	SCREW, THROTTLE VALVE	
14	12535307730	4	WASHER, NEEDLE	
15	12531942030	2	SPRING, NEEDLE	
16	12531807360	1	NEEDLE, IDLE	
17	12532909860	1	CAP, LIMITER L.S.	
18	12532007360	1	NEEDLE, HIGH SPEED	
19	12532939030	1	CAP, LIMITER H.S.	
20	12532713930	1	CLIP, SWIVEL	
21	12537242030	1	SWIVEL	
22	12531749030	1	SHAFT, THROTTLE	
23	12531342030	1	SPRING, THROTTLE RETURN	
24	12537813930	1	PIECE, FRICTION	
25	12533413930	1	SCREW, IDLE ADJUST	
26	12531011610	2	SCREW	
27	12536311610	1	RING	
28	12538146730	1	PUMP, PURGE	
29	12532411610	1	BASE, PURGE	
30	A B	1	GASKET, FUEL PUMP	
31	A B	1	DIAPHRAGM, FUEL PUMP	
32	A	1	STRAINER	
33	12537649030	1	NOZZLE, CHECK VALVE	
A	12530051330	1	REPAIR KIT	
B	12530351030	1	GASKET/DIAPHRAGM KIT	

REVISED 10/99