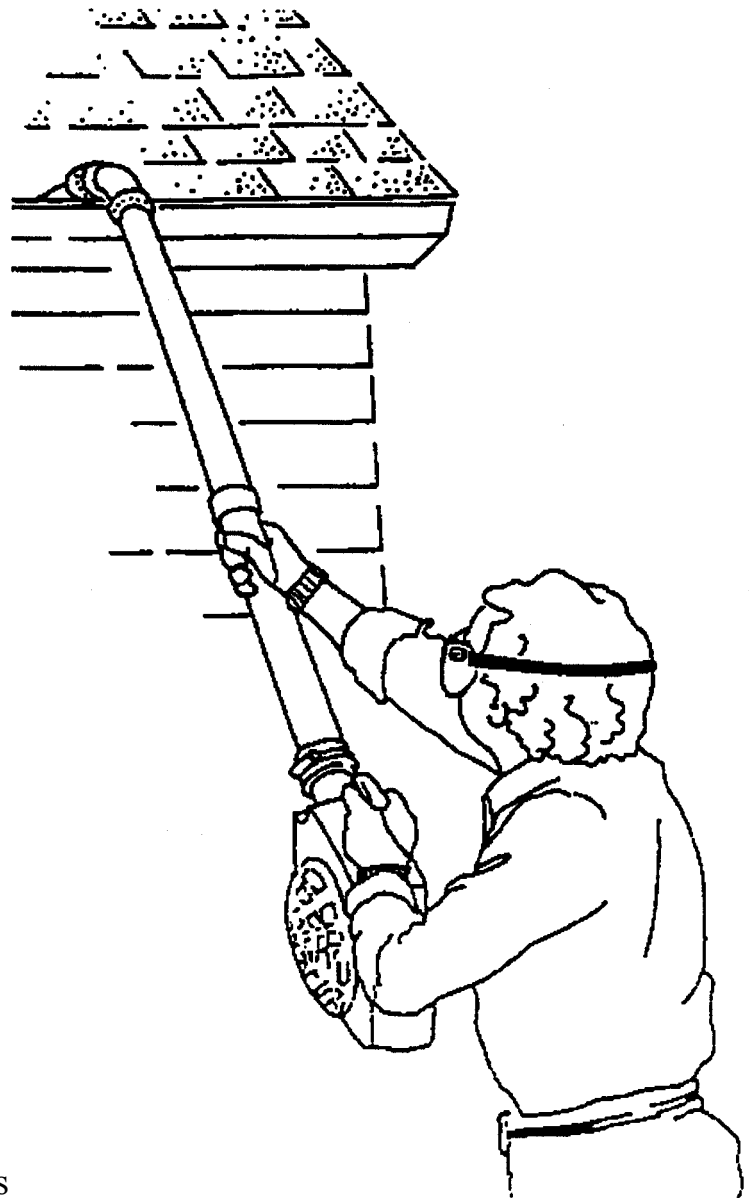




**RAIN GUTTER KIT
99944100025
INSTRUCTIONS**

RAIN GUTTER CLEAN-OUT KIT

FITS MODELS : PB-250
PB-251
PB-255
ES-255
PB-265L
PB-610
PB-620
PB-651
PB-751
PB-755
PB-755S



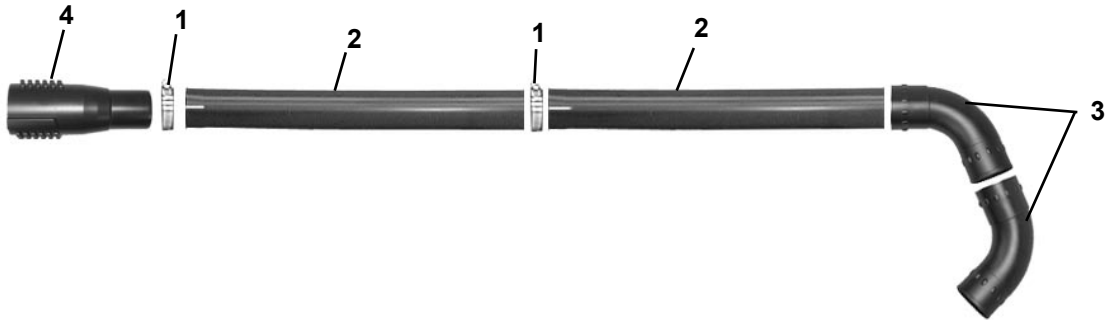
Blows leaves, pine needles and other debris from your rain gutters with a powerful blast of air from your backpack or hand held ECHO Power Blower.

**ECHO, INCORPORATED
400 OAKWOOD ROAD
LAKE ZURICH, IL 60047
www.echo-usa.com**

X7531137202

**89851223461
03/10**

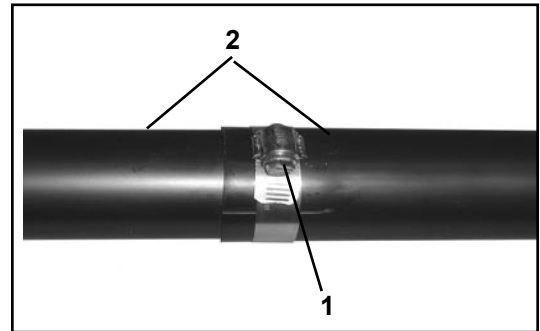
RAIN GUTTER KIT 99944100025



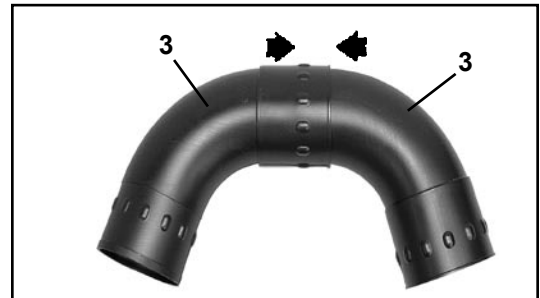
KEY	PART NUMBER	QTY	DESCRIPTION	REMARKS
1	21041304260	2	Clamp	
2	21001504260	2	Straight Pipe	
3	21002304260	2	Elbow Nozzle	
4	E165000230	1	Adapter	

ASSEMBLY INSTRUCTIONS

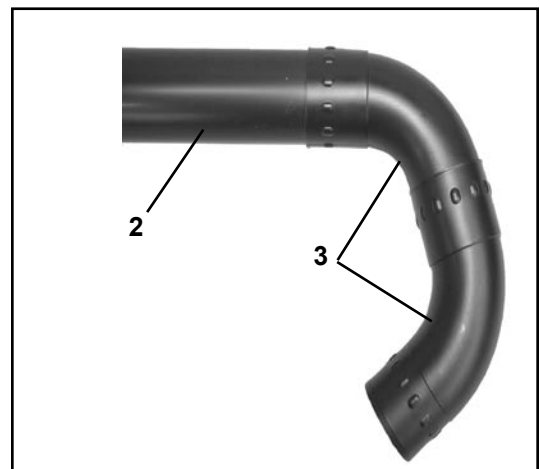
1. Connect 2 long tubes (2). Secure tubes with clamp (1).



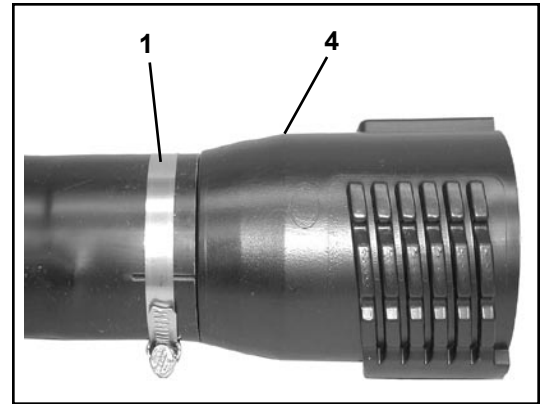
2. Connect 2 elbows (3) that make up adjustable nozzle.



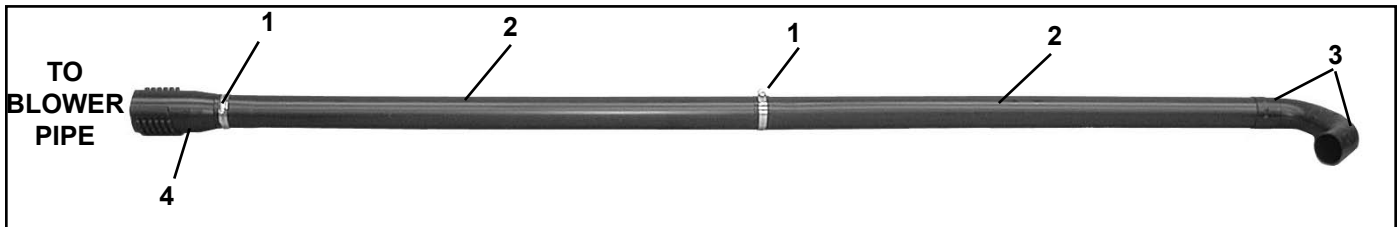
3. Install the adjustable nozzle to the small end of extension tube (2).



4. a. Back Pack Blowers - Connect adapter (4) to second blower unit pipe.
 - b. Hand Held Blowers - Connect adapter (4) to first blower pipe.
5. Connect kit pipes to adapter with clamp (1).



NOTE
Use only enough pipes to comfortably reach the inside of the gutter.

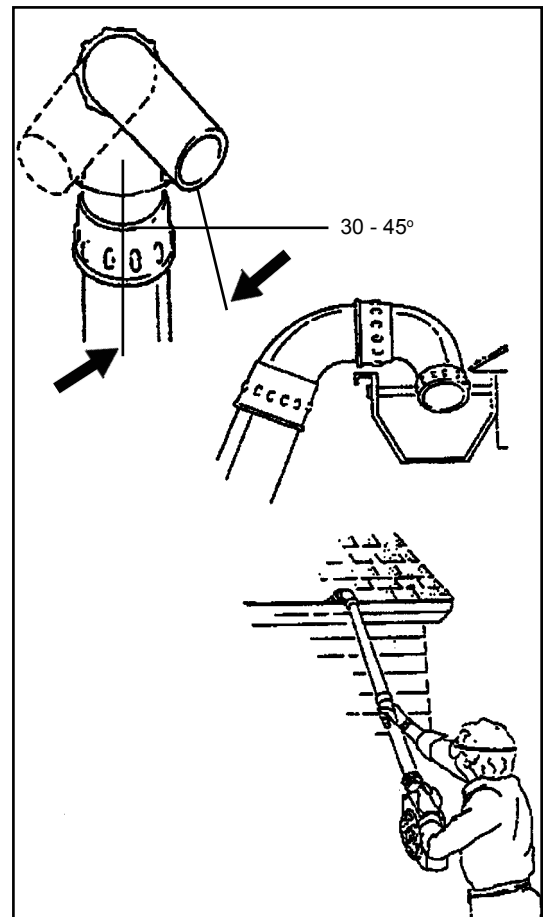


OPERATING INSTRUCTIONS

1. For best results, angle pipes approximately 10 degrees from the side of the rain gutter. The adjustable nozzle should be angled 30 to 45 degrees in the direction you will be cleaning.
2. Start the unit and slide the nozzle along the lip of the gutter, lifting the outlet nozzle up and over the gutter support brackets. Keep the long pipes angled slightly ahead of you in the direction you are cleaning.

NOTE
When the power blower is started, the air exiting from the nozzle will cause the long extension to sway slightly. Hold the unit firmly for effective cleaning.

Individual conditions will vary when using this attachment. Some practice and experimentation will be necessary to find the most effective position for the type of house and gutter design.



SAFETY INSTRUCTIONS



WARNING

The operation of any power tool can result in foreign objects being thrown into the eyes, which can result in severe eye damage. Always wear safety goggles before commencing power tool operation. (These goggles meet ANSI Standard Z-87.1.)

- **DO NOT** operate blower and attachments when fatigued.
 - **DO NOT** overreach or stand on unstable support. Keep good footing and balance at all times.
 - Never direct airflow towards bystanders. Always be aware of direction the debris will be thrown.
 - Wear ear protection whenever possible.
 - Always use a face filter mask to avoid breathing dust.
 - **DO NOT** block gutter nozzle in order to avoid engine damage due to over speed.
 - Follow all safety instructions as outlined in you power blowers Operator's Manual.
-

ECHO CONSUMER PRODUCT SUPPORT

If you require assistance or have questions concerning the application, operation or maintenance of this product you may call the ECHO Consumer Product Support Department at 1-800-673-1558 from 8:30 am to 4:30 pm (Central Standard Time) Monday through Friday. Before calling, please know the model and serial number of your unit to help your Consumer Product Support Representative.



ECHO, INCORPORATED
400 OAKWOOD ROAD
LAKE ZURICH, IL 60047 U.S.A.
www.echo-usa.com