



Accessories for ECHO products can be found at:  
*Pour obtenir des accessoires pour les produits ECHO,*  
*consulter notre catalogue d'accessoires à:*  
<http://www.echo.ca/products/catalogs>

**PARTS CATALOG**  
**NOMENCLATURE DES PIÈCES**

**PPT-2620H**  
**Power Pruner®**  
**Émondeur Power Pruner®**

**OPTIONAL ACCESSORIES & ATTACHMENTS:**

4 Ft. Extension .....99946400023

**GUIDE BARS AND CHAINS:**

10" Guide Bar - (0.050" Ga).....10A0CD3739C

10" Saw Chain - (0.050" Ga) .....91VXL39CQ

10" Guide Bar - (0.043" Ga).....10A4CD3739C

10" Saw Chain - (0.043" Ga).....90PX39CQ

12" Guide Bar - (0.050" Ga) .....12A0CD3744C

12" Saw Chain - (0.050" Ga) .....91VXL44CQ

12" Guide Bar - (0.043" Ga).....12A4CD3744C

12" Saw Chain - (0.043" Ga).....90PX44CQ

**ACCESSOIRES EN OPTION:**

122cm Rallonge .....99946400023

**GUIDE-CHAÎNES ET CHAINES:**

Guide-Chaîne - 25cm (0.050" jauge)..10A0CD3739C

Chaîne - 25cm (0.050" jauge) .....91VXL39CQ

Guide-Chaîne - 25cm (0.043" jauge)..10A4CD3739C

Chaîne - 25cm (0.043" jauge) .....90PX39CQ

Guide-Chaîne - 30cm (0.050" jauge) .12A0CD3744C

Chaîne - 30cm (0.050" jauge) .....91VXL44CQ

Guide-Chaîne - 30cm (0.043" jauge)..12A4CD3744C

Chaîne - 30cm (0.043" jauge) .....90PX44CQ

**25.4 cc**

**SERIAL NUMBER**  
 NUMÉRO DE SÉRIE

**E60515001001 - E60515999999**

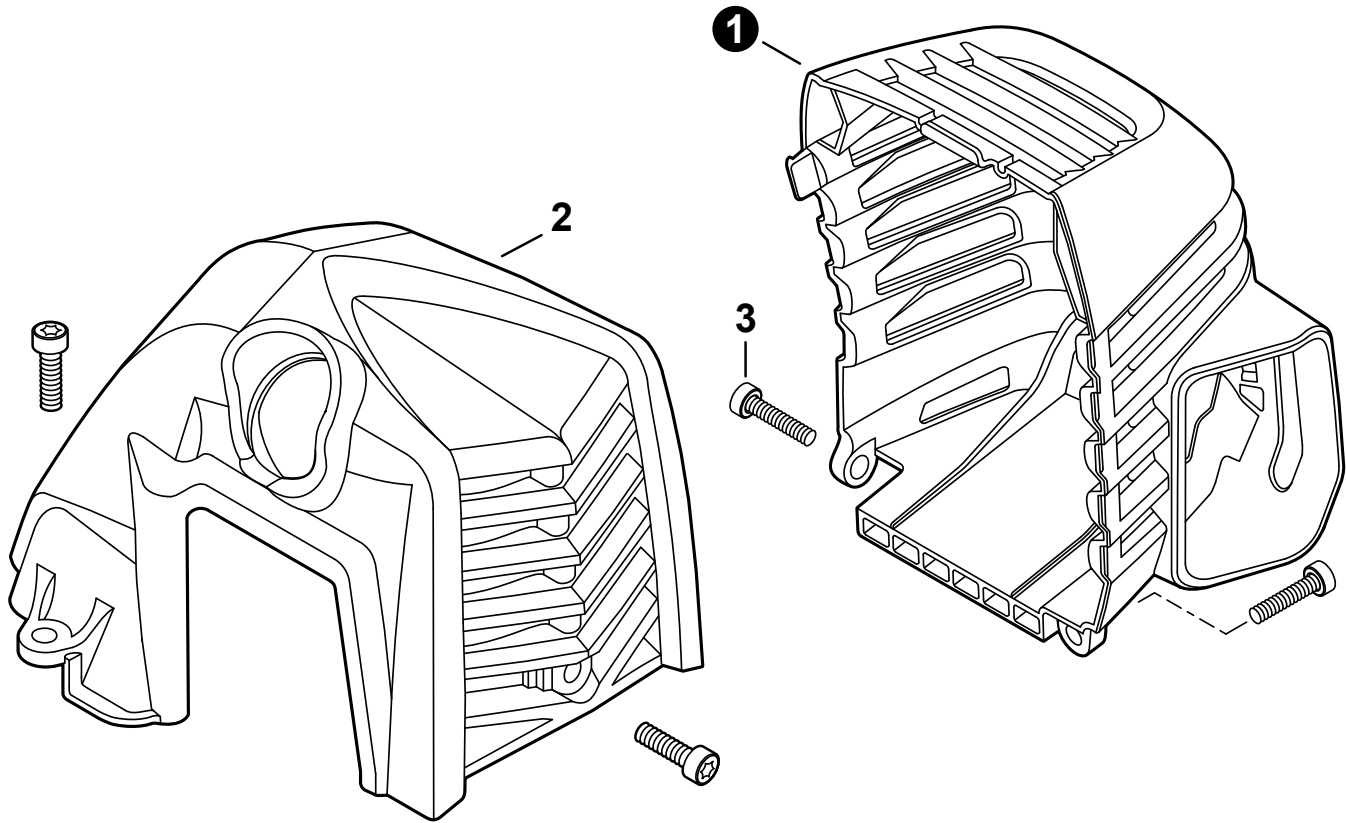


**ECHO INCORPORATED**

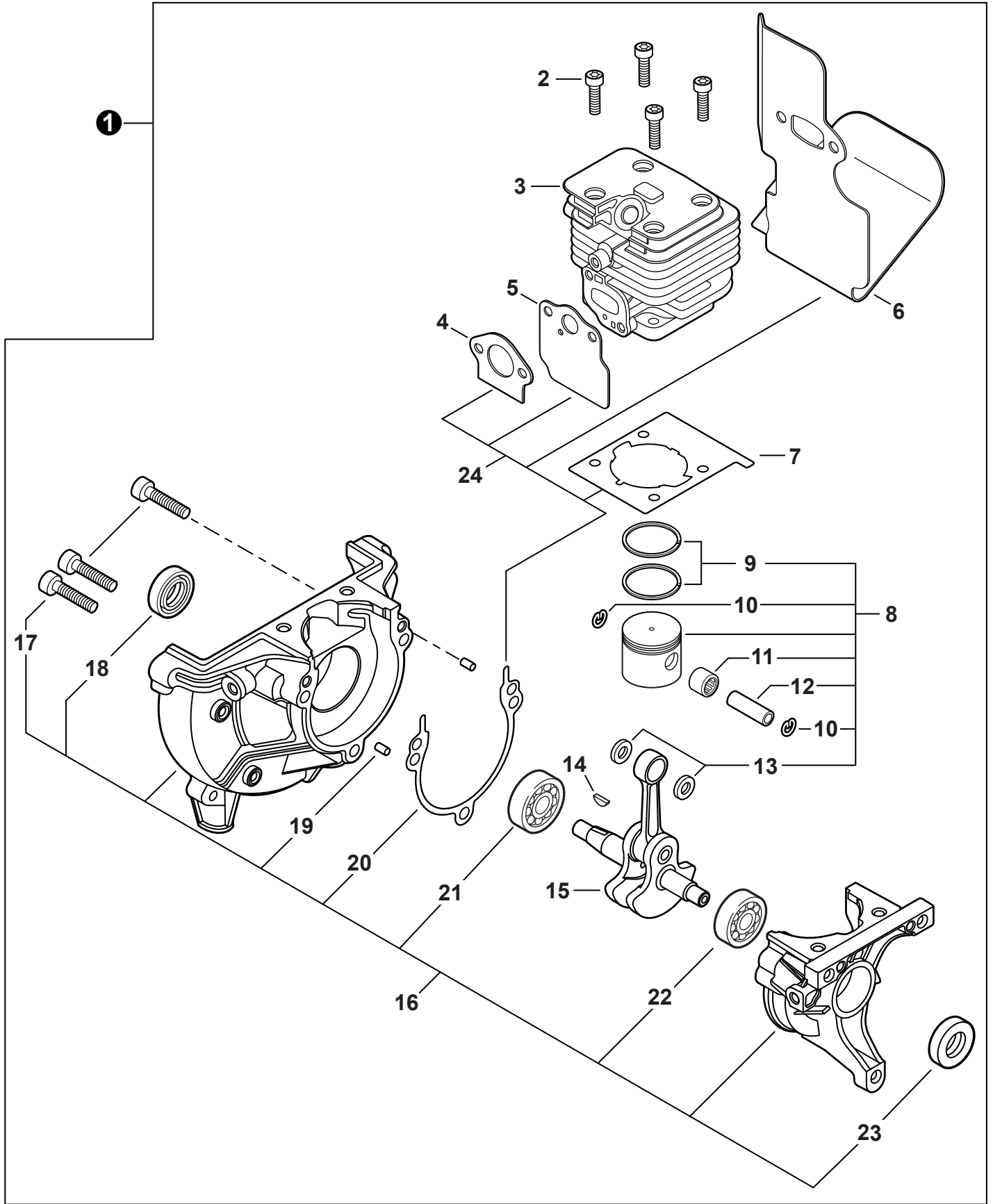
400 Oakwood Road, Lake Zurich, Illinois 60047

WWW.ECHO-USA.COM

|                                |           |   |           |
|--------------------------------|-----------|---|-----------|
| <b>Engine Cover</b> .....      | <b>3</b>  | Tube de transmission - Inférieur            |           |
| Couvercle de moteur            |           |   |           |
| <b>Engine</b> .....            | <b>4</b>  | <b>Main Pipe - Upper</b> .....              | <b>17</b> |
| Moteur                         |           | Tube de transmission - Supérieur            |           |
| <b>Engine</b> .....            | <b>5</b>  | <b>Gear Case</b> .....                      | <b>18</b> |
| Moteur                         |           | Boîtier d'engrenage                         |           |
| <b>Carburetor</b> .....        | <b>6</b>  | <b>Gear Case</b> .....                      | <b>19</b> |
| Carburateur                    |           | Boîtier d'engrenage                         |           |
| <b>Carburetor</b> .....        | <b>7</b>  | <b>Shoulder Strap</b> .....                 | <b>20</b> |
| Carburateur                    |           | Bandoulière                                 |           |
| <b>Intake</b> .....            | <b>8</b>  | <b>Labels</b> .....                         | <b>21</b> |
| Admission                      |           | Étiquettes                                  |           |
| <b>Exhaust</b> .....           | <b>9</b>  | <b>Guide Bar, Saw Chain, Scabbard</b> ..... | <b>22</b> |
| Échappement                    |           | Guide-chaîne, Chaîne Coupante, Fourreau     |           |
| <b>Ignition</b> .....          | <b>10</b> | <b>Tools</b> .....                          | <b>22</b> |
| Allumage                       |           | Outils                                      |           |
| <b>Starter</b> .....           | <b>11</b> | <b>Maintenance Kits</b> .....               | <b>23</b> |
| Lanceur à rappel               |           | Kits d'entretien                            |           |
| <b>Fuel System</b> .....       | <b>12</b> | <b>Bulk Pipe</b> .....                      | <b>23</b> |
| Système de carburant           |           | Tuyau en vrac                               |           |
| <b>Fan Case</b> .....          | <b>13</b> | <b>Bulk Starter Rope</b> .....              | <b>23</b> |
| Couvre-ventilateur             |           | Corde du démarreur en vrac                  |           |
| <b>Main Pipe</b> .....         | <b>14</b> |   |           |
| Tube de transmission           |           |   |           |
| <b>Control Handle</b> .....    | <b>15</b> |   |           |
| Poignée de commande            |           |   |           |
| <b>Main Pipe - Lower</b> ..... | <b>16</b> |   |           |

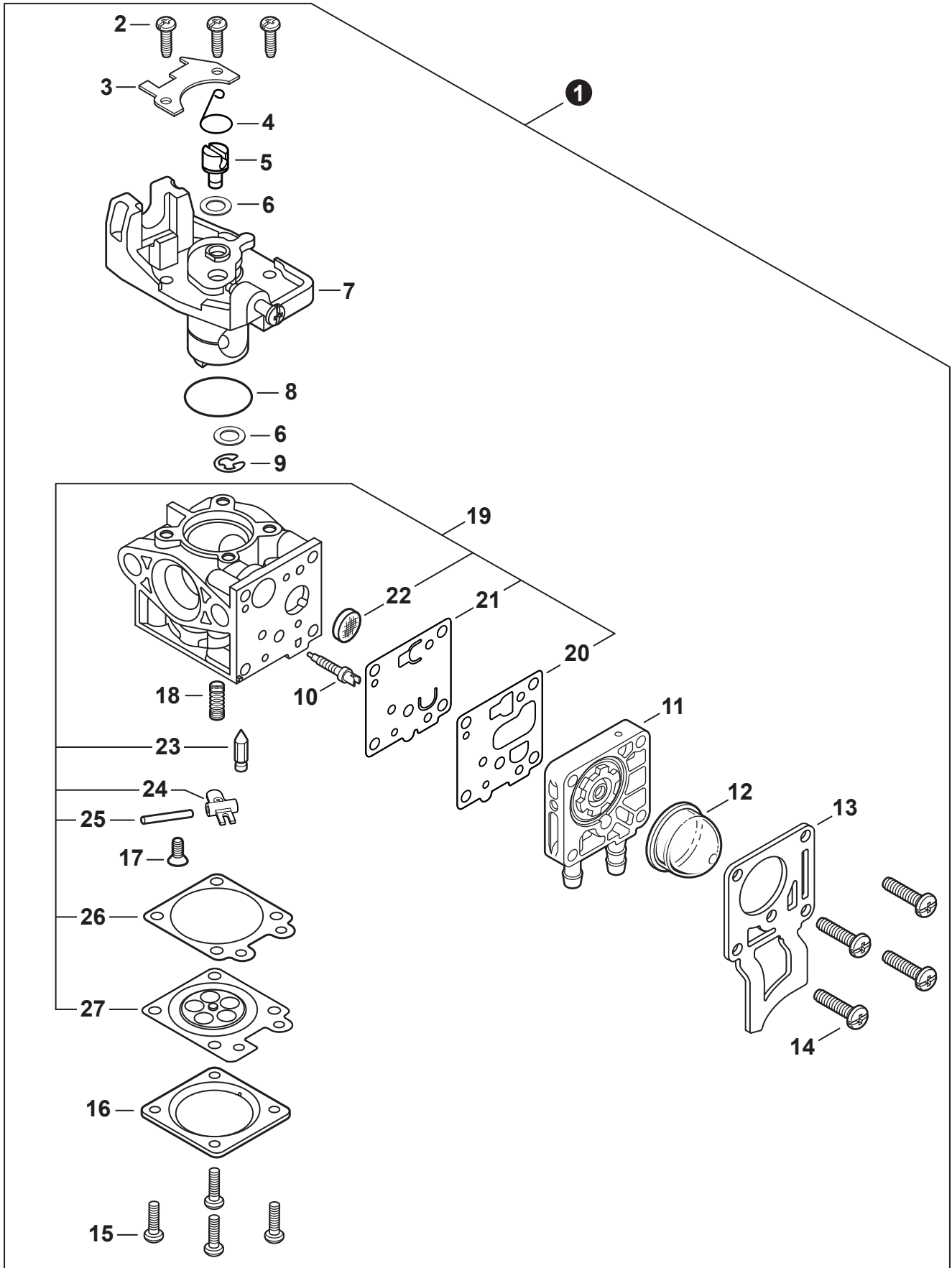


| NO. | PART NUMBER | QTY. | DESCRIPTION     | NOM DE LA PIÈCE         |
|-----|-------------|------|-----------------|-------------------------|
| 1   | A320001200  | 1    | COVER, MUFFLER  | COUVERCLE DU SILENCIEUX |
| 2   | A160003280  | 1    | COVER, ENGINE   | COUVERCLE DE MOTEUR     |
| 3   | V835000010  | 4    | BOLT, TORX 5x12 | BOULON TORX 5x12        |



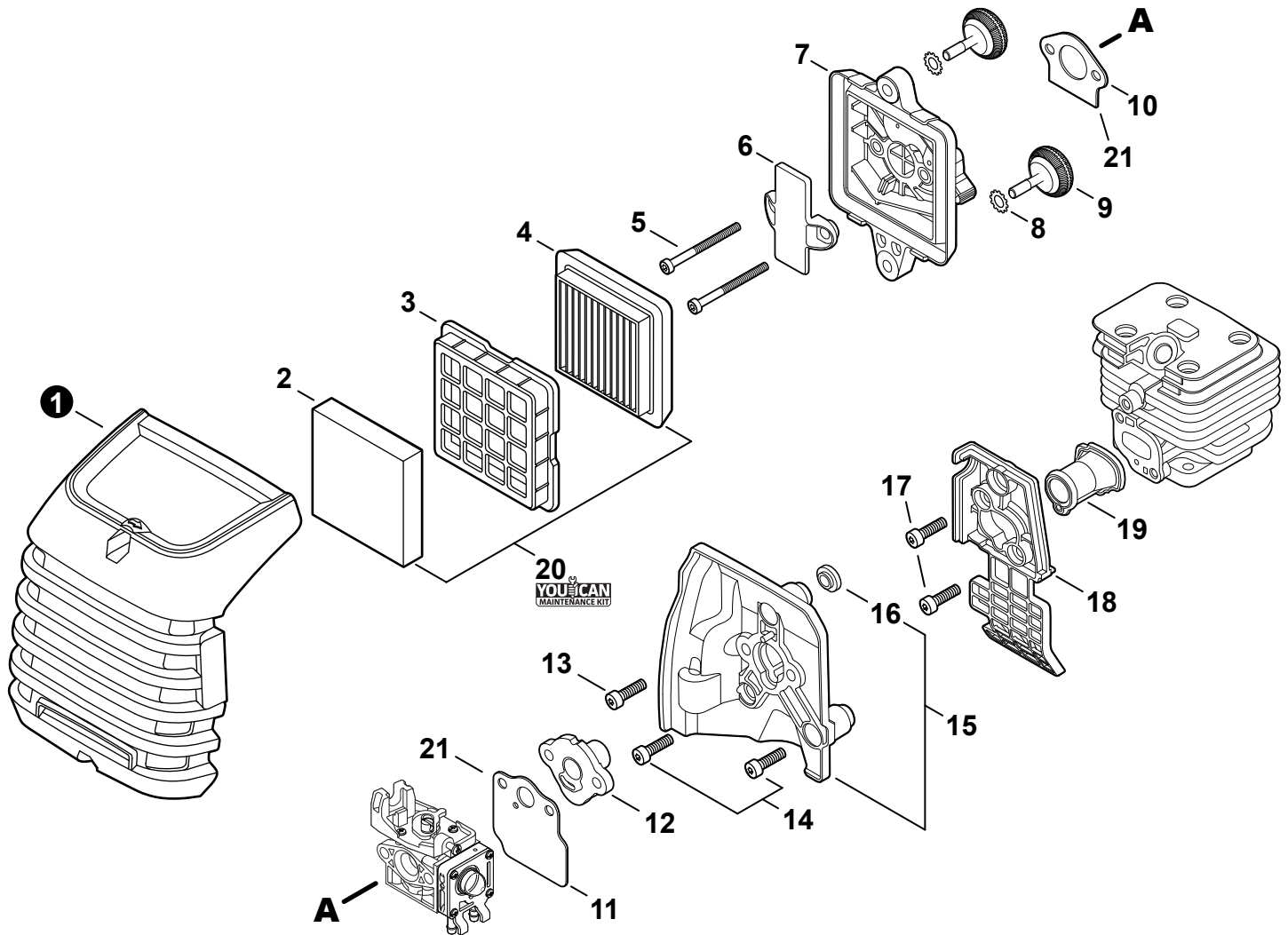


| NO. | PART NUMBER | QTY. | DESCRIPTION                         | NOM DE LA PIÈCE                                |
|-----|-------------|------|-------------------------------------|--|
| 1   | SB1118      | 1    | SHORT BLOCK                         | MOTEUR COMPLET                                 |
| 2   | V805000210  | 4    | +BOLT, TORX 5x20                    | +BOULON TORX 5x20                              |
| 3   | A130002330  | 1    | +CYLINDER                           | +CYLINDRE                                      |
| 4   | V103001900  | 1    | +GASKET, INTAKE                     | +JOINT D'ADMISSION                             |
| 5   | V103001890  | 1    | +HEAT SHIELD, INTAKE                | +BOUCLIER THERMIQUE ADMISSION                  |
| 6   | V104002310  | 1    | +HEAT SHIELD, EXHAUST               | +BOUCLIER THERMIQUE ÉCHAPPEMENT                |
| 7   | V100000840  | 1    | +GASKET, CYLINDER                   | +JOINT CYLINDRE                                |
| 8   | P021050840  | 1    | +PISTON KIT                         | +KIT DE PISTON                                 |
| 9   | A101000010  | 2    | ++RING, PISTON                      | ++SEGMENT DE PISTON                            |
| 10  | 10001503931 | 2    | ++RING, SNAP                        | ++ANNEAU ÉLASTIQUE                             |
| 11  | V554000020  | 1    | ++BEARING, NEEDLE 9                 | ++ROULEMENT À AIGUILLES 9                      |
| 12  | 10001335430 | 1    | ++PIN, PISTON                       | ++AXE DE PISTON                                |
| 13  | 10001453630 | 2    | ++WASHER, THRUST                    | ++RONDELLE DE BUTÉE                            |
| 14  | 10014212330 | 1    | +KEY, WOODRUFF                      | +CLAVETTE-DISQUE                               |
| 15  | A011001460  | 1    | +CRANKSHAFT ASSY                    | +VILEBREQUIN COMPLET                           |
| 16  | P021050850  | 1    | +CRANKCASE KIT                      | +KIT DE CARTER DE MOTEUR                       |
| 17  | V805000220  | 3    | ++BOLT, TORX 5x25                   | ++BOULON TORX 5x25                             |
| 18  | 10021242031 | 1    | ++SEAL, OIL 12                      | ++JOINT D'HUILE 12                             |
| 19  | 90033040080 | 2    | ++PIN, LOCATING 4x8                 | ++GOUPILLE DE POSITIONNEMENT 4x8               |
| 20  | V102000300  | 1    | ++GASKET, CRANKCASE                 | ++JOINT CARTER DE MOTEUR                       |
| 21  | 90080036001 | 1    | ++BEARING, BALL 6001                | ++ROULEMENT À BILLES 6001                      |
| 22  | 90081036000 | 1    | ++BEARING, BALL                     | ++ROULEMENT À BILLES                           |
| 23  | V503000040  | 1    | ++SEAL, OIL 10                      | ++JOINT D'HUILE 10                             |
| 24  | P021051540  | 1    | GASKET KIT: ENGINE, INTAKE, EXHAUST | KIT DE JOINTS - MOTEUR, ADMISSION, ÉCHAPPEMENT |



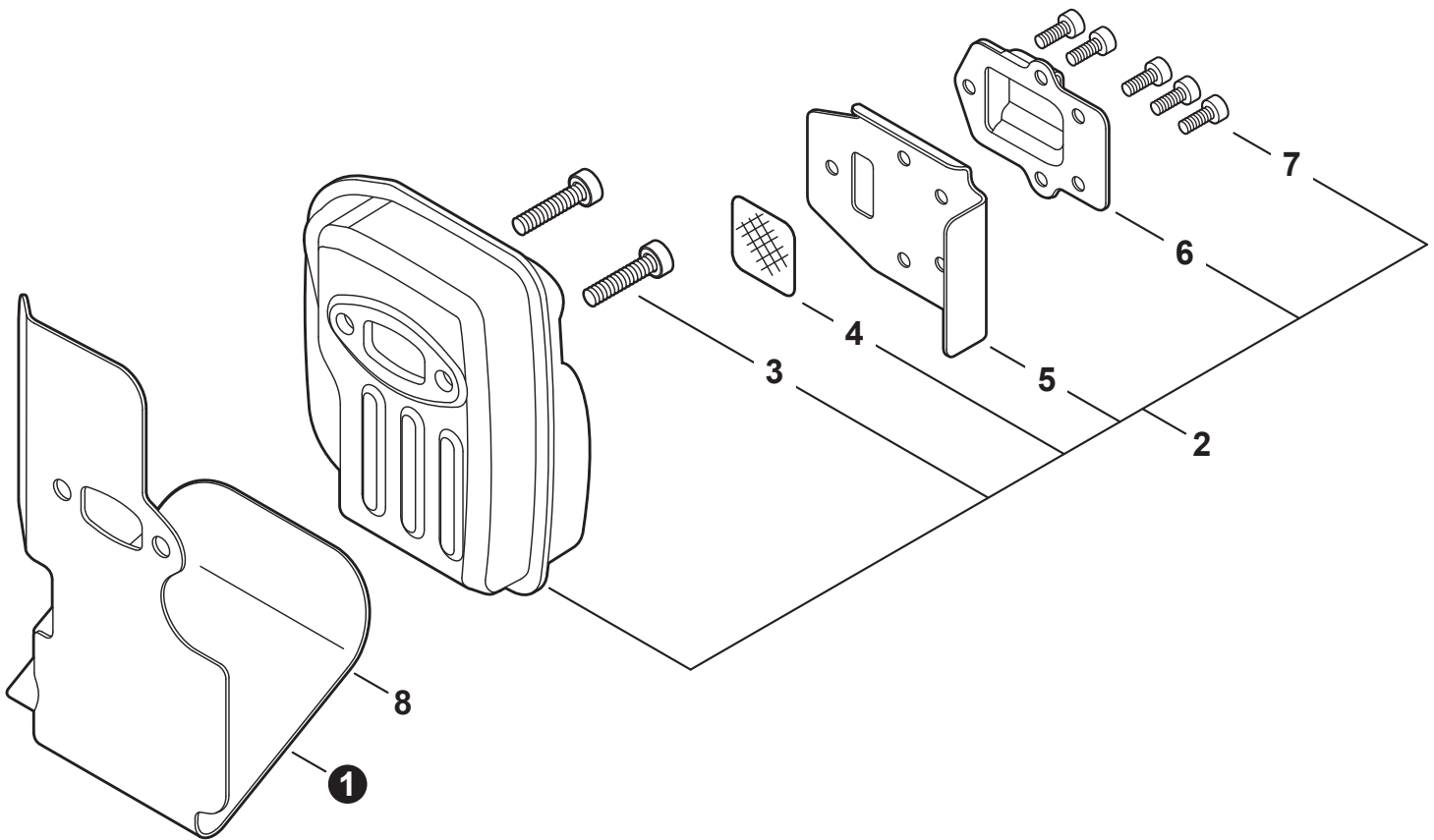


| NO. | PART NUMBER       | QTY. | DESCRIPTION                    | NOM DE LA PIÈCE                       |
|-----|-------------------|------|--------------------------------|---------------------------------------|
| 1   | A021004601        | 1    | CARBURETOR - WYG-9B            | CARBURATEUR - WYG-9B                  |
| 2   | 12311440630       | 3    | +SCREW                         | +VIS                                  |
| 3   | P003005900        | 1    | +PLATE                         | +PLAQUE                               |
| 4   | P003005890        | 1    | +CLIP                          | +ATTACHE                              |
| 5   | P003005850        | 1    | +SWIVEL                        | +PIVOT                                |
| 6   | P003001710        | 2    | +WASHER                        | +RONDELLE                             |
| 7   | P003006140        | 1    | +THROTTLE VALVE ASSY           | +PAPILLON D'ACCÉLÉRATEUR              |
| 8   | P003004480        | 1    | +O-RING                        | +JOINT TORIQUE                        |
| 9   | 12317307930       | 1    | +E-RING                        | +BAGUE EN E                           |
| 10  | P003005880        | 1    | +NEEDLE, HIGH SPEED            | +POINTEAU H (HAUTE)                   |
| 11  | P003006120        | 1    | +BODY ASSY, PUMP               | +CORPS DE POMPE COMPLET               |
| 12  | A263000020        | 1    | +BULB, PURGE                   | +POIRE DE PURGE                       |
| 13  | P003006500        | 1    | +COVER, FUEL PUMP              | +COUVERCLE DE POMPE À CARBURANT       |
| 14  | P003004570        | 4    | +SCREW                         | +VIS                                  |
| 15  | P003004560        | 4    | +SCREW                         | +VIS                                  |
| 16  | 12314203930       | 1    | +COVER, METERING DIAPHRAGM     | +COUVERCLE DOSEUSE À MEMBRANE         |
| 17  | P003005860        | 1    | +SCREW                         | +VIS                                  |
| 18  | P003005870        | 1    | +SPRING                        | +RESSORT                              |
| 19  | <b>P003005940</b> | 1    | <b>+REPAIR KIT, CARBURETOR</b> | <b>+KIT DE RÉPARATION CARBURATEUR</b> |
| 20  |                   | 1    | ++GASKET, FUEL PUMP            | ++JOINT DE POMPE À CARBURANT          |
| 21  |                   | 1    | ++DIAPHRAGM, FUEL PUMP         | ++MEMBRANE DE POMPE À CARBURANT       |
| 22  |                   | 1    | ++SCREEN, FUEL INLET           | ++FILTRE À TAMIS                      |
| 23  |                   | 1    | ++VALVE, INLET NEEDLE          | ++SOUPAPE À POINTEAU D'ADMISSION      |
| 24  |                   | 1    | ++LEVER, METERING              | ++LEVIER DE DOSAGE                    |
| 25  |                   | 1    | ++PIN, METERING LEVER          | ++CHEVILLE DU LEVIER DE DOSAGE        |
| 26  |                   | 1    | ++GASKET, METERING DIAPHRAGM   | ++JOINT DU MEMBRANE DE DOSAGE         |
| 27  |                   | 1    | ++DIAPHRAGM, METERING          | ++MEMBRANE DE DOSAGE                  |

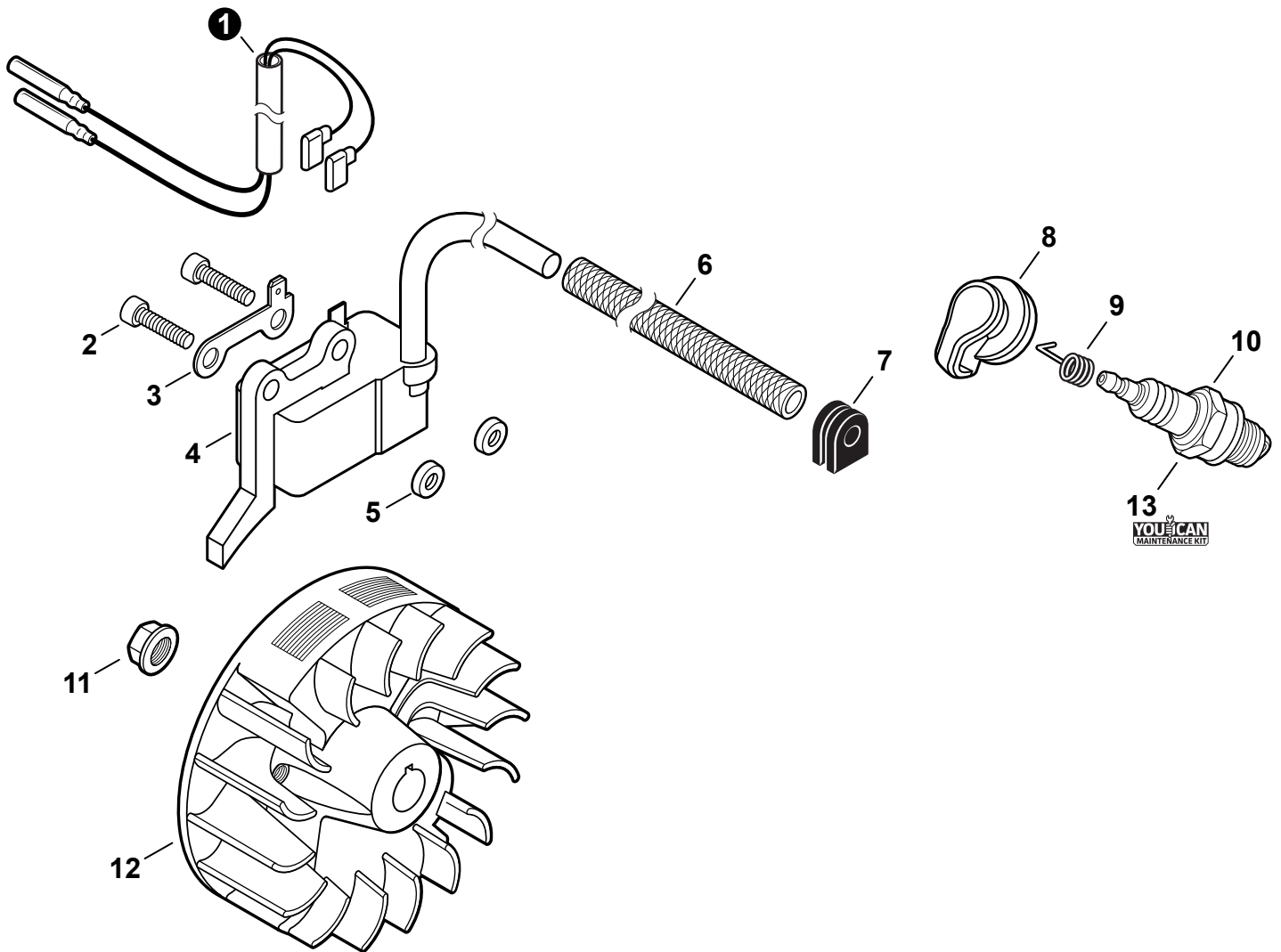


| NO. | PART NUMBER       | QTY.     | DESCRIPTION                                | NOM DE LA PIÈCE                                       |
|-----|-------------------|----------|--|---|
| 1   | A232001890        | 1        | COVER, AIR FILTER                          | COUVERCLE DU FILTRE D'AIR                             |
| 2   | A226002040        | 1        | PRE-FILTER, FOAM                           | PRÉ-FILTRE EN MOUSSE                                  |
| 3   | A227000050        | 1        | RETAINER, PRE-FILTER                       | ATTACHE, PRÉ-FILTRE                                   |
| 4   | A226002030        | 1        | FILTER, AIR                                | FILTRE D'AIR  |
| 5   | V805000340        | 2        | BOLT, TORX 5x60                            | BOULON TORX 5x60                                      |
| 6   | A244000370        | 1        | PLATE, PREVENT                             | PLAQUE, PRÉVENTION                                    |
| 7   | P021050880        | 1        | CASE, AIR FILTER                           | BOÎTIER DE FILTRE D'AIR                               |
| 8   | V340000210        | 2        | WASHER, LOCK                               | RONDELLE FREIN  |
| 9   | V299000640        | 2        | THUMBSCREW                                 | VIS À SERRAGE À MAIN                                  |
| 10  | V103001900        | 1        | GASKET, INTAKE                             | JOINT D'ADMISSION                                     |
| 11  | V103001890        | 1        | HEAT SHIELD, INTAKE                        | BOUCLIER THERMIQUE ADMISSION                          |
| 12  | A209001000        | 1        | BOOT, INSULATOR PLATE                      | BOTTE, PLAQUE ISOLANTE                                |
| 13  | V855000000        | 1        | BOLT, TORX 5x20                            | BOULON TORX 5x20                                      |
| 14  | V805000150        | 2        | BOLT, TORX 5x16                            | BOULON TORX 5x16                                      |
| 15  | <b>A209001010</b> | <b>1</b> | <b>PLATE, INSULATOR</b>                    | <b>PLAQUE ISOLANTE</b>                                |
| 16  | V353000020        | 1        | +COLLAR 5                                  | +COLLET 5   |
| 17  | V253001020        | 2        | SCREW 5x16                                 | VIS 5x16  |
| 18  | A206000040        | 1        | HOLDER, BELLOWS                            | SUPPORT DE SOUFFLET                                   |
| 19  | A202000300        | 1        | BELLOWS, INTAKE                            | SOUFFLET D'ADMISSION                                  |
| 20  | <b>90181Y</b>     | <b>1</b> | <b>TUNE-UP KIT - YOUCAN™</b>               | <b>TROUSSE DE MISE AU POINT - YOUCAN™</b>             |
| 21  | <b>P021051540</b> | <b>1</b> | <b>GASKET KIT: ENGINE, INTAKE, EXHAUST</b> | <b>KIT DE JOINTS - MOTEUR, ADMISSION, ÉCHAPPEMENT</b> |

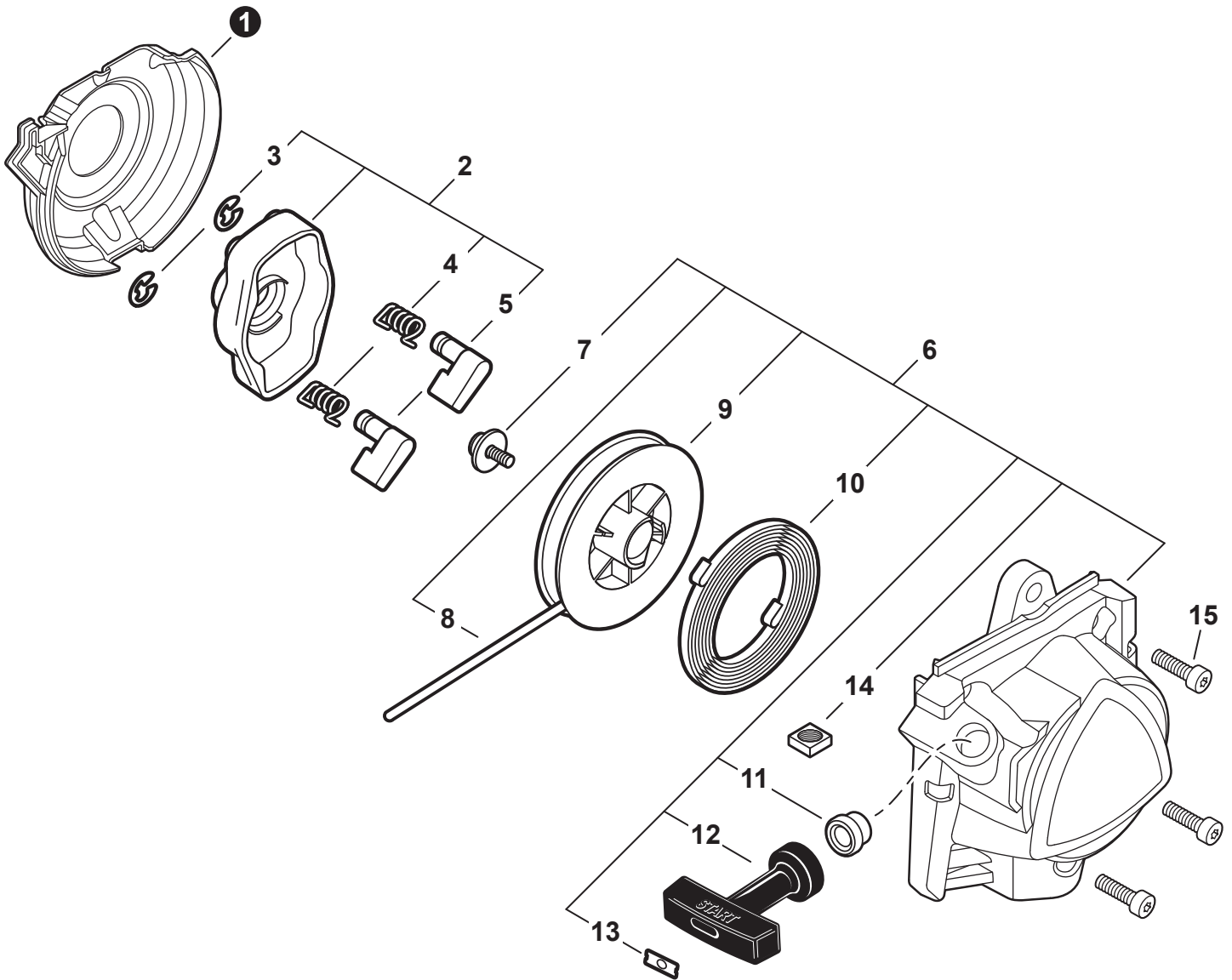




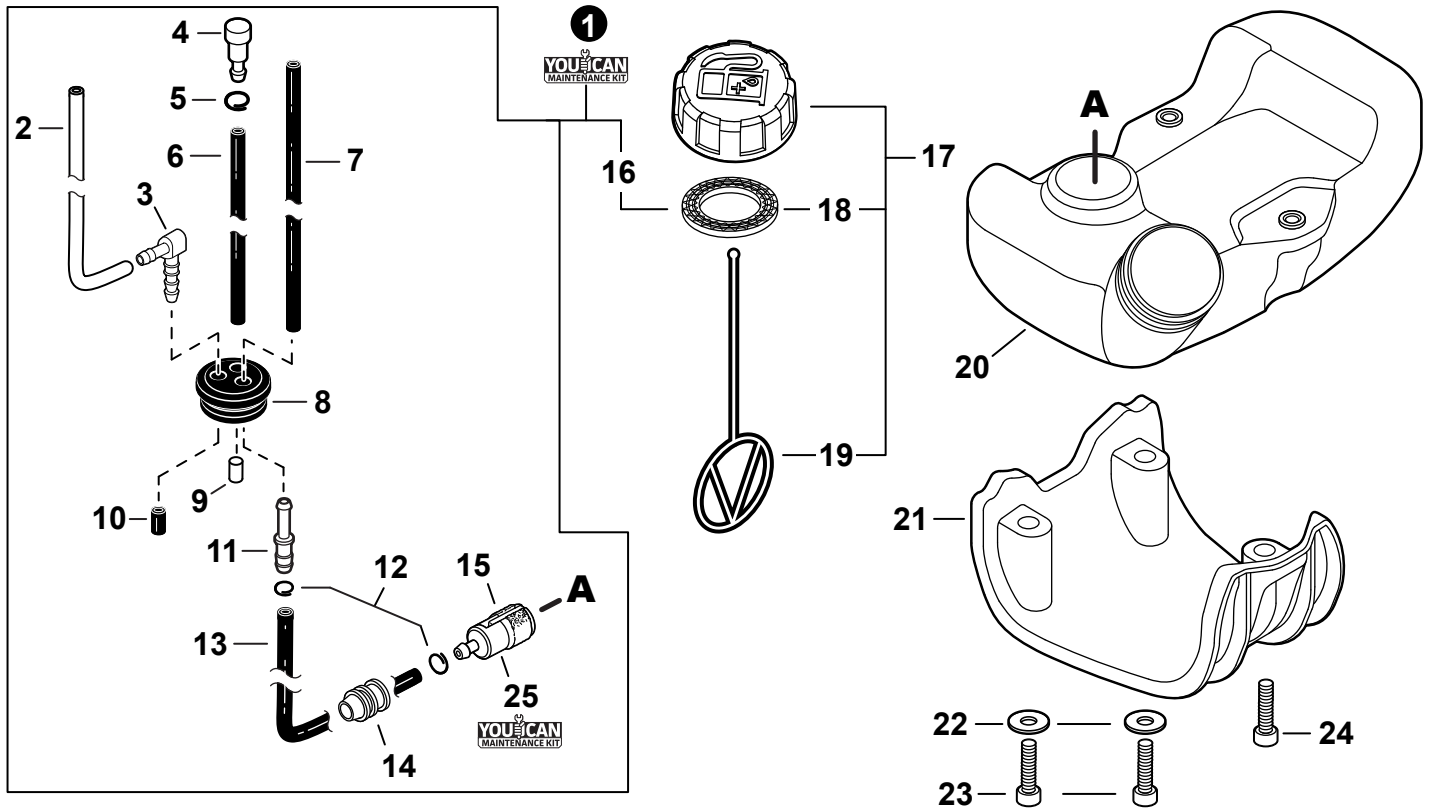
| NO. | PART NUMBER       | QTY. | DESCRIPTION                                | NOM DE LA PIÈCE                                       |
|-----|-------------------|------|--|---|
| 1   | V104002310        | 1    | HEAT SHIELD, EXHAUST                       | BOUCLIER THERMIQUE ÉCHAPPEMENT                        |
| 2   | <b>P021050901</b> | 1    | <b>MUFFLER ASSY</b>                        | <b>ASSEMBLAGE SILENCIEUX</b>                          |
| 3   | V805000250        | 2    | +BOLT, TORX 5x16                           | +BOULON TORX 5x16                                     |
| 4   | 14586240630       | 1    | +SCREEN, SPARK ARRESTER                    | +PARE-ÉTINCELLES                                      |
| 5   | V104002300        | 1    | +GASKET, EXHAUST                           | +JOINT D'ÉCHAPPEMENT                                  |
| 6   | A313002060        | 1    | +GUIDE, EXHAUST                            | +GUIDE D'ÉCHAPPEMENT                                  |
| 7   | V804000030        | 5    | +BOLT, TORX 4x8                            | +BOULON TORX 4x8                                      |
| 8   | <b>P021051540</b> | 1    | <b>GASKET KIT: ENGINE, INTAKE, EXHAUST</b> | <b>KIT DE JOINTS - MOTEUR, ADMISSION, ÉCHAPPEMENT</b> |



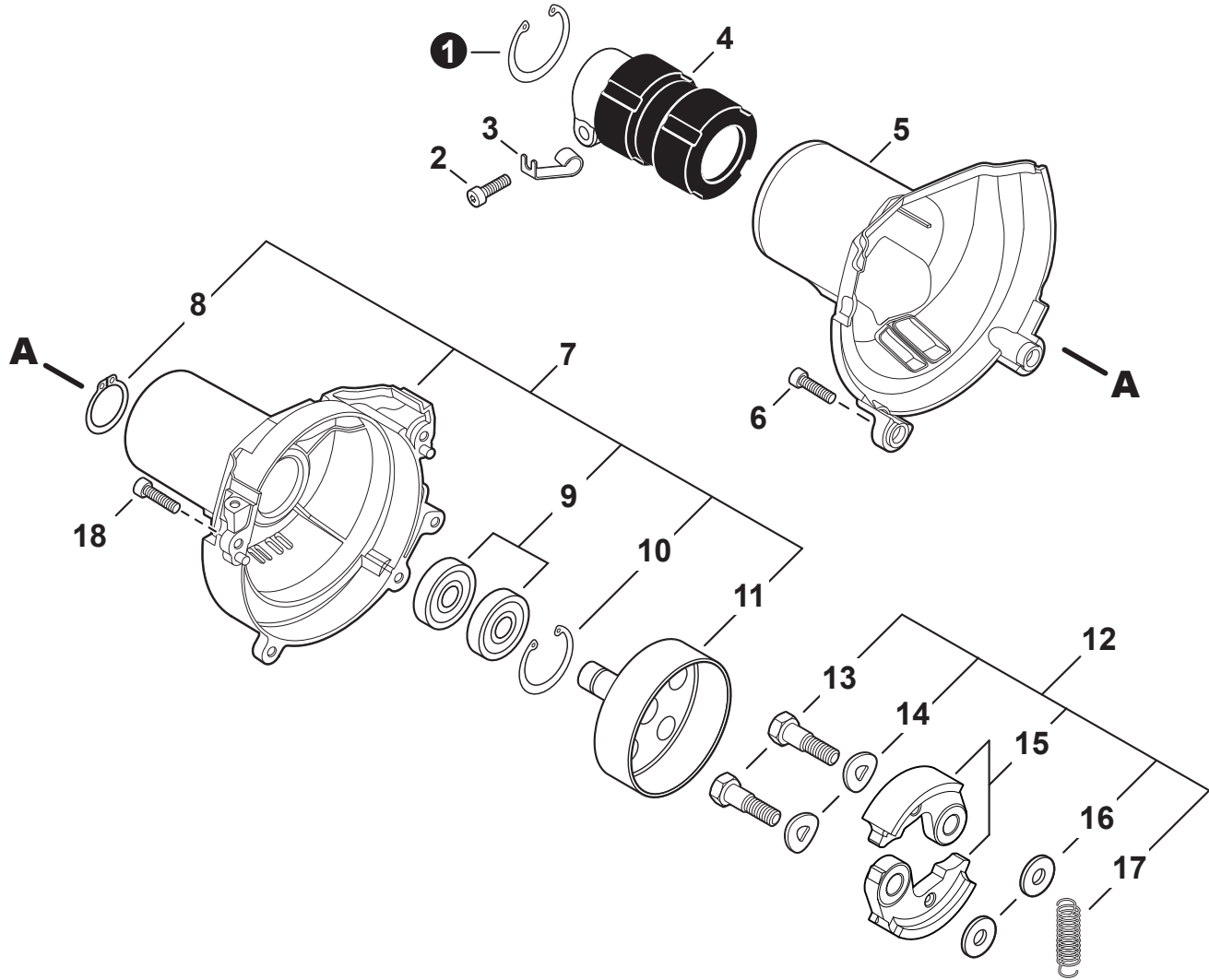
| NO. | PART NUMBER | QTY. | DESCRIPTION           | NOM DE LA PIÈCE                    |
|-----|-------------|------|-----------------------|------------------------------------|
| 1   | V485002880  | 1    | LEAD SET - IGNITION   | ENSEMBLE DE FIL D'ALLUMAGE         |
| 2   | V805000210  | 2    | BOLT, TORX 5x20       | BOULON TORX 5x20                   |
| 3   | C152001030  | 1    | CONNECTOR             | CONNEXION                          |
| 4   | A411001791  | 1    | COIL, IGNITION        | BOBINE D'ALLUMAGE                  |
| 5   | V323000070  | 2    | SPACER 5              | ENTRETOISE 5                       |
| 6   | V475007540  | 1    | TUBE, INSULATOR       | TUYAU ISOLANTE                     |
| 7   | 15611004920 | 1    | GROMMET               | OEILLET                            |
| 8   | A427000221  | 1    | CAP, SPARK PLUG       | PROTECTEUR DE BOUGIE D'ALLUMAGE    |
| 9   | A426000010  | 1    | TERMINAL, SPARK PLUG  | BORNE DE BOUGIE D'ALLUMAGE         |
| 10  | A425000060  | 1    | SPARK PLUG - CMR7H    | BOUGIE D'ALLUMAGE - CMR7H          |
| 11  | 90051500008 | 1    | NUT, FLANGE M8        | ÉCROU                              |
| 12  | A409001320  | 1    | FLYWHEEL              | VOLANT                             |
| 13  | 90181Y      | 1    | TUNE-UP KIT - YOUCAN™ | TROUSSE DE MISE AU POINT - YOUCAN™ |



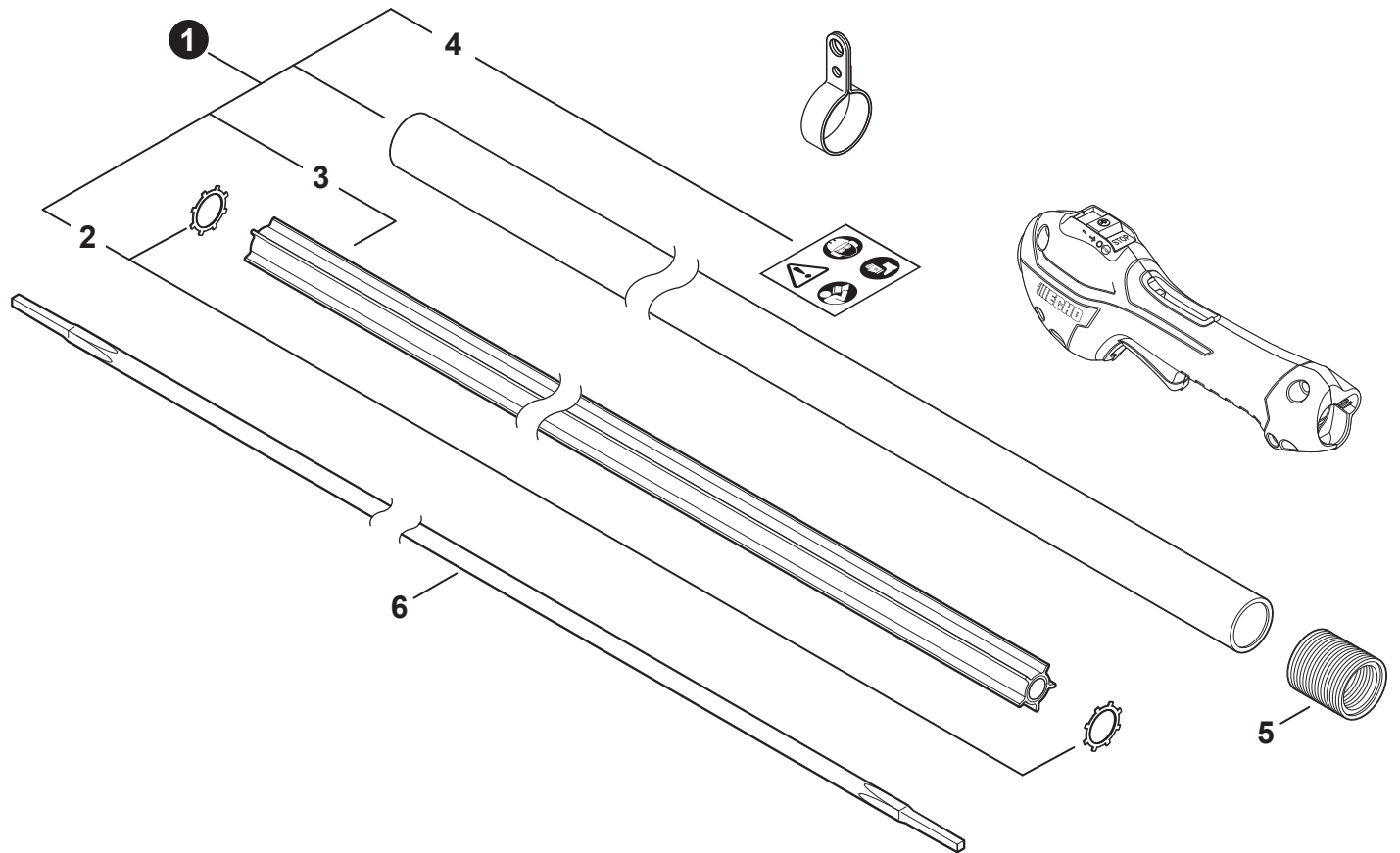
| NO. | PART NUMBER | QTY. | DESCRIPTION          | NOM DE LA PIÈCE                     |
|-----|-------------|------|----------------------|-------------------------------------|
| 1   | A127000470  | 1    | COVER, DUST          | COUVERCLE PARE-POUSSIÈRE            |
| 2   | A052000030  | 1    | PAWL ASSY, STARTER   | CLIQUET DE LANCEUR À RAPPEL COMPLET |
| 3   | P022002100  | 2    | +E-RING 4            | +BAGUE EN E 4                       |
| 4   | 17723440630 | 2    | +SPRING, RETURN      | +RESSORT DE RAPPEL                  |
| 5   | P022003120  | 2    | +PAWL, STARTER       | +CLIQUET                            |
| 6   | A051003210  | 1    | STARTER ASSY, RECOIL | ASSEMBLAGE DU LANCEUR À RAPPEL      |
| 7   | 17723644330 | 1    | +SCREW               | +VIS                                |
| 8   | P022043690  | 1    | +ROPE, STARTER       | +CORDE DU DÉMARREUR                 |
| 9   | 17721540630 | 1    | +REEL, ROPE          | +BOBINE DE CORDE                    |
| 10  | 17722040630 | 1    | +SPRING, RECOIL      | +RESSORT DE RAPPEL                  |
| 11  | 17722742030 | 1    | +GUIDE, ROPE         | +GUIDE DE CORDE                     |
| 12  | 17722827030 | 1    | +GRIP, STARTER       | +POIGNÉE DU DÉMARREUR               |
| 13  | P022037670  | 1    | +RETAINER, ROPE      | +RETENUE DE CORDE                   |
| 14  | 90056550005 | 2    | +NUT - 5 - SQUARE    | +ÉCROU - 5 - CARRÉ                  |
| 15  | V805000140  | 3    | BOLT, TORX 5x12      | BOULON TORX 5x12                    |



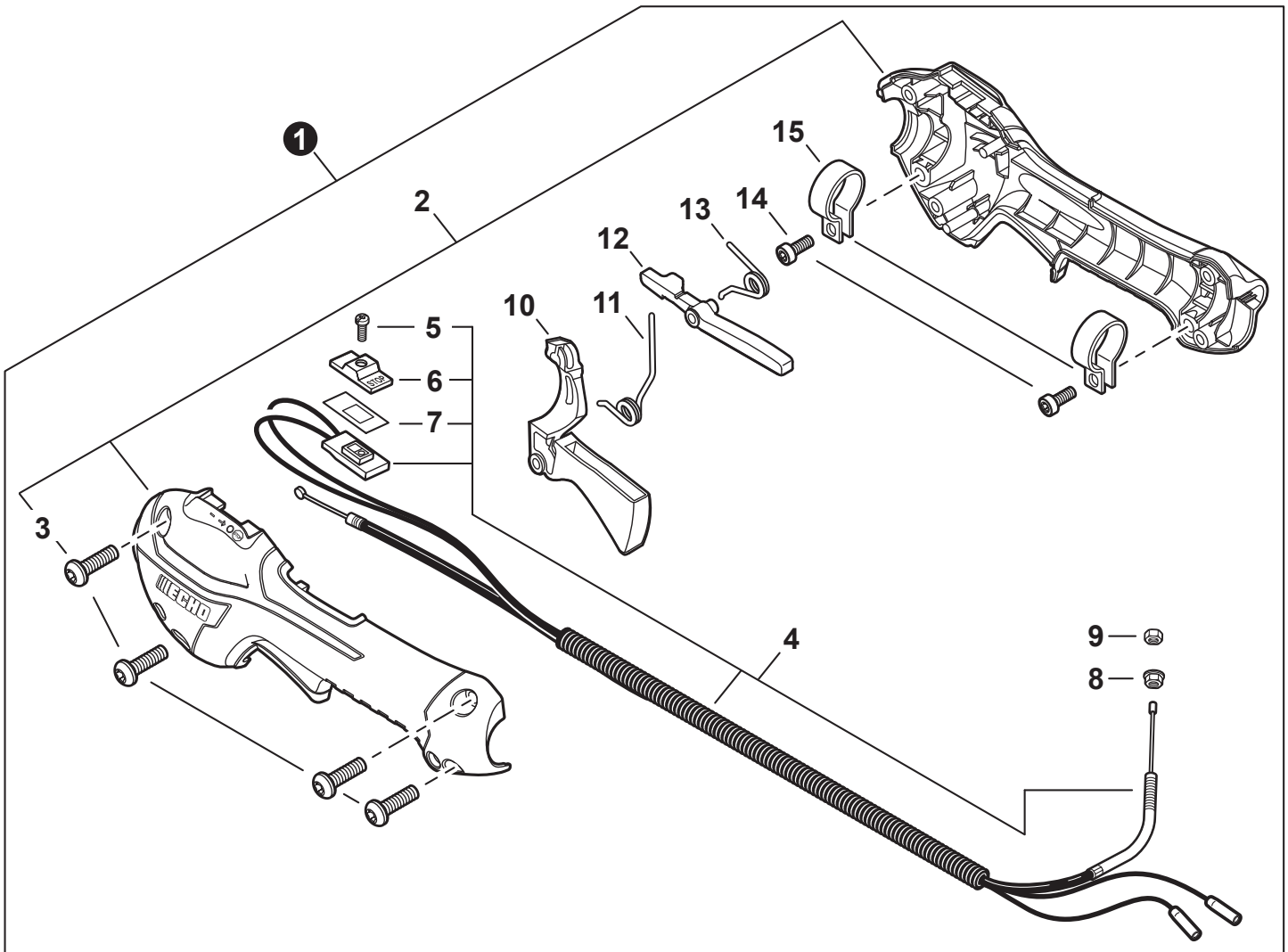
| NO. | PART NUMBER | QTY. | DESCRIPTION                   | NOM DE LA PIÈCE                           |
|-----|-------------|------|-------------------------------|---|
| 1   | 90182Y      | 1    | FUEL SYSTEM KIT - YOUCAN™     | TROUSSE DE SYSTÈME DE CARBURANT - YOUCAN™ |
| 2   | 13201256030 | 1    | +PIPE, FUEL 3x6x80 YELLOW     | +TUYAU DE CARBURANT 3x6x80 JAUNE          |
| 3   | V186000500  | 1    | +CONNECTOR, PIPE              | +CONNEXION DE TUYAU                       |
| 4   | A356000031  | 1    | +VENT ASSY                    | +ÉVENT COMPLET                            |
| 5   | V490001230  | 1    | +CLIP 6.5 MM                  | +ATTACHE 6.5 MM                           |
| 6   | 13201006531 | 1    | +PIPE, FUEL 3x6x85 BLACK      | +TUYAU DE CARBURANT 3x6x85 NOIR           |
| 7   | V471005650  | 1    | +PIPE, FUEL 3x5.5x83 BLACK    | +TUYAU DE CARBURANT 3x5.5x83 NOIR         |
| 8   | 13211555931 | 1    | +GROMMET, FUEL                | +OEILLET CARBURANT                        |
| 9   | 13131435430 | 1    | +FILTER, VENT                 | +FILTRE RESPIRATOIRE                      |
| 10  | V471005440  | 1    | +PIPE, FUEL 3x7x10 BLACK      | +TUYAU DE CARBURANT 3x7x10 NOIR           |
| 11  | V186000520  | 1    | +CONNECTOR, PIPE 5x3.5        | +CONNEXION DE TUYAU 5x3.5                 |
| 12  | V490001240  | 2    | +CLIP 6                       | +ATTACHE 6                                |
| 13  | V471003651  | 1    | +PIPE, FUEL - 3x5x125 - BLACK | +TUYAU DE CARBURANT 3x5x125 NOIR          |
| 14  | A413000190  | 1    | +BOOT                         | +BOTTE                                    |
| 15  | A369000470  | 1    | +FILTER, FUEL                 | +FILTRE À CARBURANT                       |
| 16  | V107000210  | 1    | +GASKET, FUEL CAP             | +JOINT BOUCHON DE CARBURANT               |
| 17  | P021053030  | 1    | CAP ASSY, FUEL                | ASSEMBLAGE DU BOUCHON DE CARBURANT        |
| 18  | V107000210  | 1    | +GASKET, FUEL CAP             | +JOINT BOUCHON DE CARBURANT               |
| 19  | A365000060  | 1    | +CONNECTOR, CAP L= 123        | +CONNEXION DU BOUCHON L= 123              |
| 20  | A350002341  | 1    | TANK, FUEL                    | RÉSERVOIR DE CARBURANT                    |
| 21  | A175000040  | 1    | GUARD, FUEL TANK              | PROTECTEUR, RÉSERVOIR D'ESSENCE           |
| 22  | 90060300005 | 2    | WASHER 5.5x12x0.8             | RONDELLE 5.5x12x0.8                       |
| 23  | V805000170  | 2    | BOLT, TORX 5x25               | BOULON TORX 5x25                          |
| 24  | V805000160  | 1    | BOLT, TORX 5x20               | BOULON TORX 5x20                          |
| 25  | 90181Y      | 1    | TUNE-UP KIT - YOUCAN™         | TROUSSE DE MISE AU POINT - YOUCAN™        |



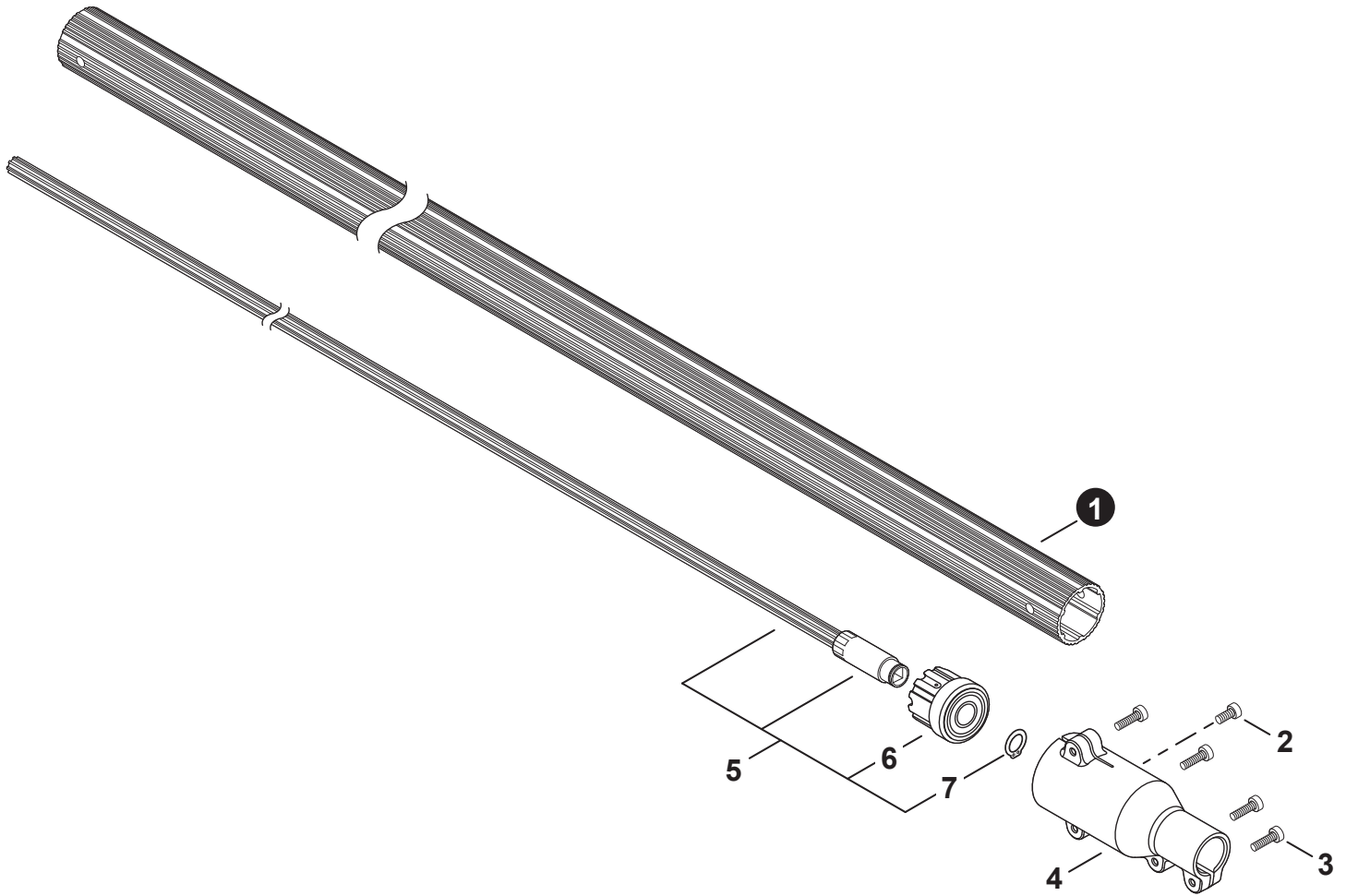
| NO. | PART NUMBER       | QTY.     | DESCRIPTION                | NOM DE LA PIÈCE                      |
|-----|-------------------|----------|----------------------------|--------------------------------------|
| 1   | 90070200042       | 1        | RING, SNAP 42              | ANNEAU ÉLASTIQUE 42                  |
| 2   | V805000170        | 1        | BOLT, TORX 5x25            | BOULON TORX 5x25                     |
| 3   | V490001520        | 1        | CLIP, CABLE                | SUPPORT DE CÂBLE                     |
| 4   | A575000640        | 1        | HOLDER, MAIN PIPE          | ATTACHE - TUBE DE TRANSMISSION       |
| 5   | A413000080        | 1        | PROTECTOR, FAN COVER       | PROTECTEUR, COUVRE-VENTILATEUR       |
| 6   | V805000160        | 2        | BOLT, TORX 5x20            | BOULON TORX 5x20                     |
| 7   | <b>P021052180</b> | <b>1</b> | <b>COVER ASSY, FAN</b>     | <b>ASSEMBLAGE COUVRE-VENTILATEUR</b> |
| 8   | 90070100015       | 1        | +RING, RETAINING 15        | +ANNEAU DE RETENUE 15                |
| 9   | 9400906902        | 2        | +BEARING, BALL             | +ROULEMENT À BILLES                  |
| 10  | 90070200028       | 1        | +RING, SNAP 28             | +ANNEAU ÉLASTIQUE 28                 |
| 11  | A556001780        | 1        | +DRUM, CLUTCH              | +TAMBOUR D'EMBRAYAGE                 |
| 12  | <b>P021050860</b> | <b>1</b> | <b>CLUTCH ASSY</b>         | <b>BLOC D'EMBRAYAGE</b>              |
| 13  | 17504656030       | 2        | +BOLT, CLUTCH 8x7.9xM6     | +BOULON D'EMBRAYAGE 8x7.9xM6         |
| 14  | 17504956030       | 2        | +WASHER, SPRING 8.5x16x0.5 | +RONDELLE ÉLASTIQUE 8.5x16x0.5       |
| 15  | A553000190        | 2        | +SHOE, CLUTCH              | +SABOT D'EMBRAYAGE                   |
| 16  | 17504805530       | 2        | +WASHER 6.2x19x1.0         | +RONDELLE 6.2x19x1.0                 |
| 17  | V451001390        | 1        | +SPRING, CLUTCH            | +RESSORT D'EMBRAYAGE                 |
| 18  | V805000150        | 2        | BOLT, TORX 5x16            | BOULON TORX 5x16                     |



| NO. | PART NUMBER | QTY. | DESCRIPTION            | NOM DE LA PIÈCE                  |
|-----|-------------|------|------------------------|----------------------------------|
| 1   | C050003141  | 1    | MAIN PIPE ASSY         | TUBE DE TRANSMISSION COMPLET     |
| 2   | V583000110  | 2    | +WASHER                | +RONDELLE                        |
| 3   | C507000180  | 1    | +LINER - FLEXIBLE      | +COUSSINET FLEXIBLE              |
| 4   | X505002363  | 1    | +LABEL - CAUTION - ISO | +ÉTIQUETTE D'AVERTISSEMENT - ISO |
| 5   | V475004000  | 1    | TUBE, FLEXIBLE         | TUYAU FLEXIBLE                   |
| 6   | C506000520  | 1    | DRIVESHAFT - FLEXIBLE  | ARBRE DE TRANSMISSION - FLEXIBLE |

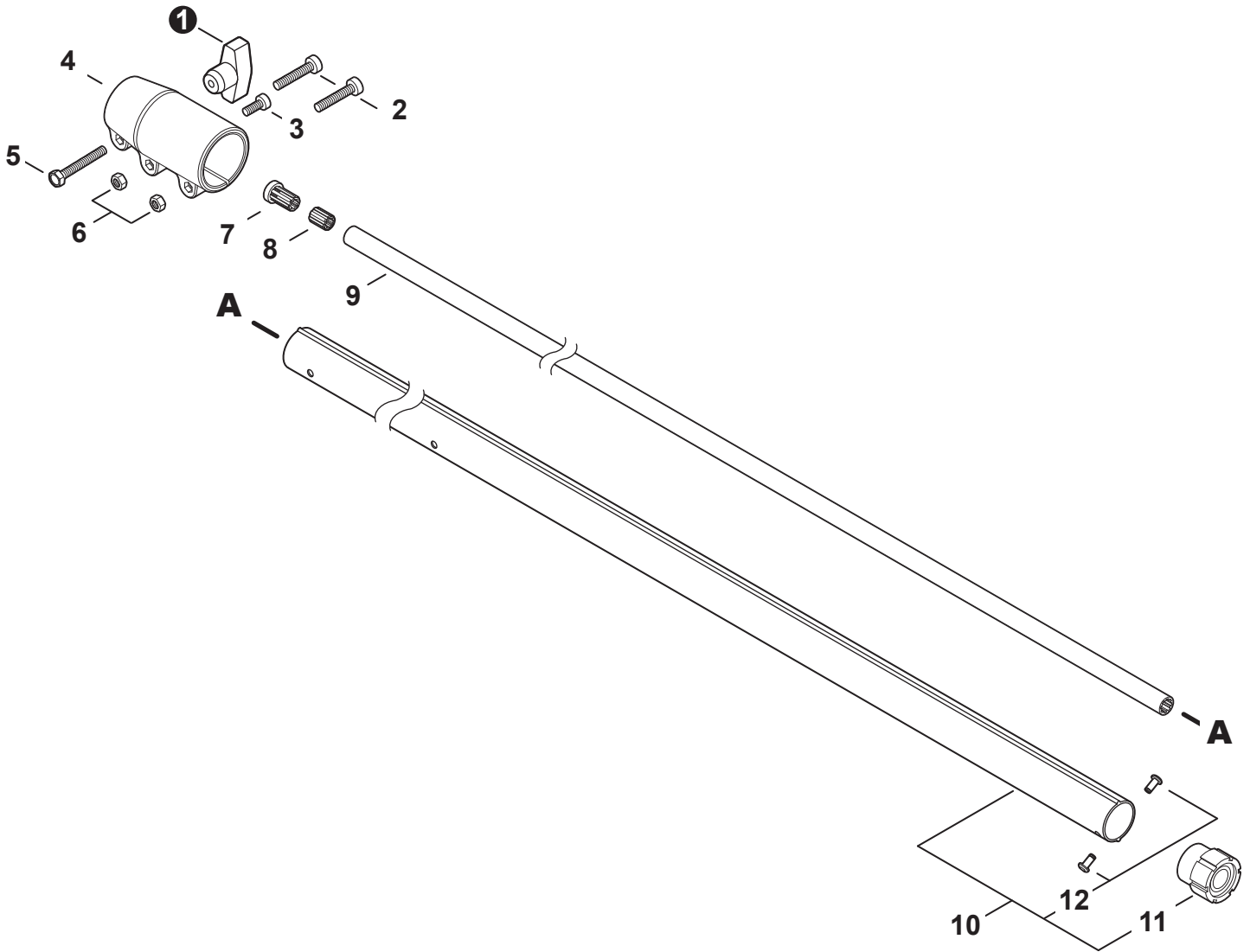


| NO. | PART NUMBER | QTY. | DESCRIPTION              | NOM DE LA PIÈCE                   |
|-----|-------------|------|--------------------------|-----------------------------------|
| 1   | P021052270  | 1    | CONTROL HANDLE ASSY      | ASSEMBLAGE DE POIGNÉE DE COMMANDE |
| 2   | P021044371  | 1    | +CONTROL HANDLE KIT      | +KIT DE POIGNÉE DE COMMANDE       |
| 3   | V805000000  | 4    | ++BOLT, TORX 5x16        | ++BOULON TORX 5x16                |
| 4   | P100002240  | 1    | +CABLE ASSY, CONTROL     | +CABLE DE COMMANDE COMPLET        |
| 5   | 9154503010  | 1    | ++SCREW 3x10             | ++VIS 3x10                        |
| 6   | A444000020  | 1    | ++KNOB, SWITCH - ORANGE  | ++BOUTON DU INTERRUPTEUR - ORANGE |
| 7   | V541000600  | 1    | ++SEAL, SWITCH           | ++JOINT INTERRUPTEUR              |
| 8   | 90051800006 | 1    | +NUT, FLANGE M6          | +ÉCROU À BRIDE M6                 |
| 9   | 90050200006 | 1    | +NUT M6                  | +ÉCROU M6                         |
| 10  | C453000482  | 1    | +TRIGGER, THROTTLE       | +GÂCHETTE D'ACCÉLÉRATEUR          |
| 11  | V452001520  | 1    | +SPRING, TORSION         | +RESSORT DE TORSION               |
| 12  | C460000441  | 1    | +LEVER, THROTTLE LOCKOUT | +LEVIER GÂCHETTE DE SÉCURITÉ      |
| 13  | V452001510  | 1    | +SPRING, TORSION         | +RESSORT DE TORSION               |
| 14  | V805000150  | 2    | +BOLT, TORX 5x16         | +BOULON TORX 5x16                 |
| 15  | V495003020  | 2    | +CLAMP                   | +COLLIER                          |

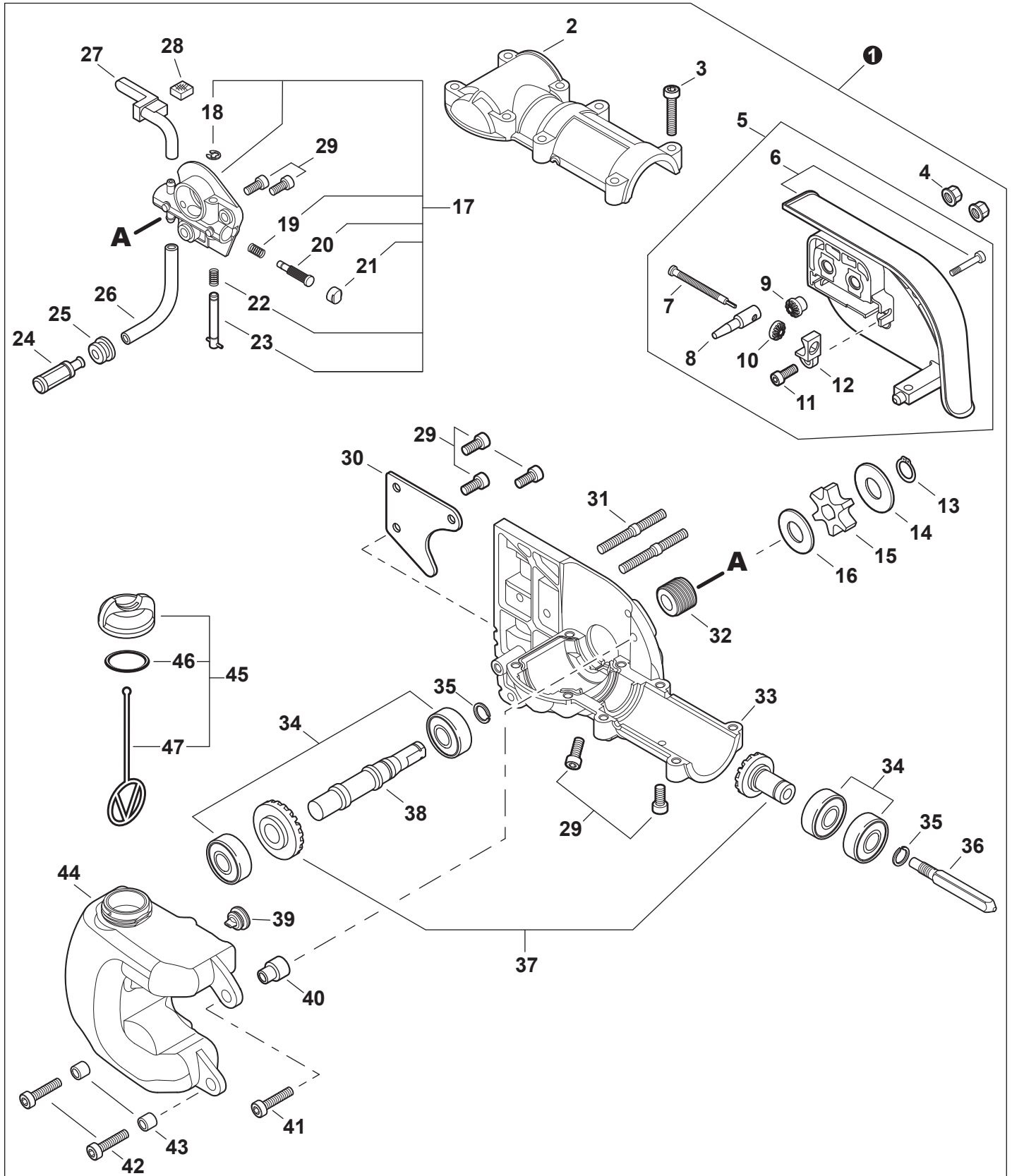


| NO. | PART NUMBER       | QTY. | DESCRIPTION                   | NOM DE LA PIÈCE                                |
|-----|-------------------|------|-------------------------------|--|
| 1   | C500000271        | 1    | PIPE, MAIN - ORANGE           | TUBE DE TRANSMISSION - ORANGE                  |
| 2   | V805000150        | 1    | BOLT, TORX 5x16               | BOULON TORX 5x16                               |
| 3   | V805000160        | 4    | BOLT, TORX 5x20               | BOULON TORX 5x20                               |
| 4   | C510000320        | 1    | COUPLING, MAIN PIPE           | RACCORD DE TUBE DE TRANSMISSION                |
| 5   | <b>C504001320</b> | 1    | <b>DRIVESHAFT ASSY, LOWER</b> | <b>ARBRE DE TRANSMISSION INFÉRIEUR COMPLET</b> |
| 6   | C503000100        | 1    | +HOLDER ASSY, BEARING         | +SUPPORT DE ROULEMENT COMPLET                  |
| 7   | 10022922460       | 1    | +RING, RETAINING              | +ANNEAU DE RETENUE                             |



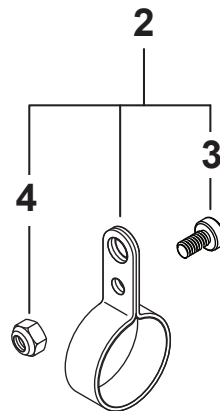
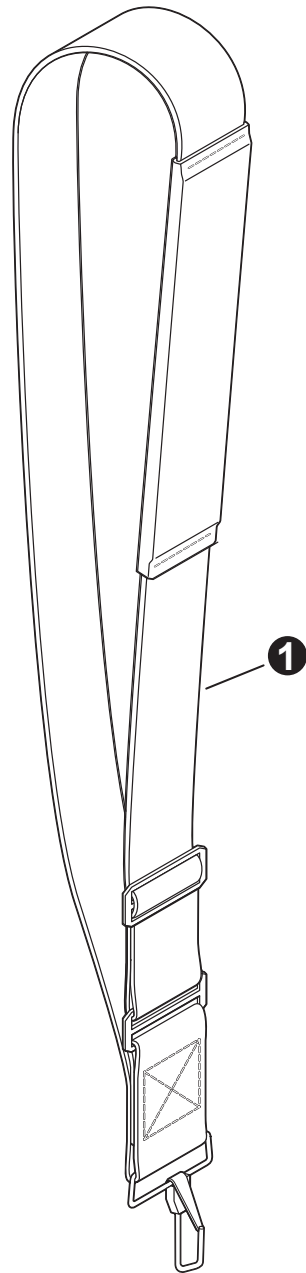


| NO. | PART NUMBER       | QTY. | DESCRIPTION                   | NOM DE LA PIÈCE                            |
|-----|-------------------|------|-------------------------------|--|
| 1   | V299000660        | 1    | THUMBSCREW                    | VIS À SERRAGE À MAIN                       |
| 2   | V805000160        | 2    | BOLT, TORX 5x20               | BOULON TORX 5x20                           |
| 3   | V805000140        | 1    | BOLT, TORX 5x12               | BOULON TORX 5x12                           |
| 4   | C510000280        | 1    | COUPLING, MAIN PIPE           | RACCORD DE TUBE DE TRANSMISSION            |
| 5   | 90010006025       | 1    | BOLT 6x25                     | BOULON 6x25                                |
| 6   | 90050000005       | 2    | NUT M5                        | ÉCROU M5                                   |
| 7   | C509000080        | 1    | SOCKET - OUTER                | DOUILLE - EXTERNE                          |
| 8   | C509000090        | 1    | SOCKET - INNER                | DOUILLE - INTERNE                          |
| 9   | C504000360        | 1    | DRIVESHAFT - UPPER            | ARBRE DE TRANSMISSION - SUPÉRIEUR          |
| 10  | <b>C050003130</b> | 1    | <b>MAIN PIPE ASSY - BLACK</b> | <b>TUBE DE TRANSMISSION COMPLET - NOIR</b> |
| 11  | C503000080        | 1    | +HOLDER ASSY, BEARING         | +SUPPORT DE ROULEMENT COMPLET              |
| 12  | 89001122360       | 2    | +RIVET                        | +RIVET                                     |

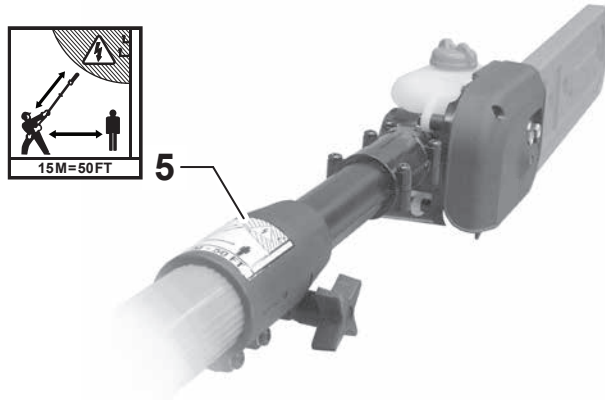




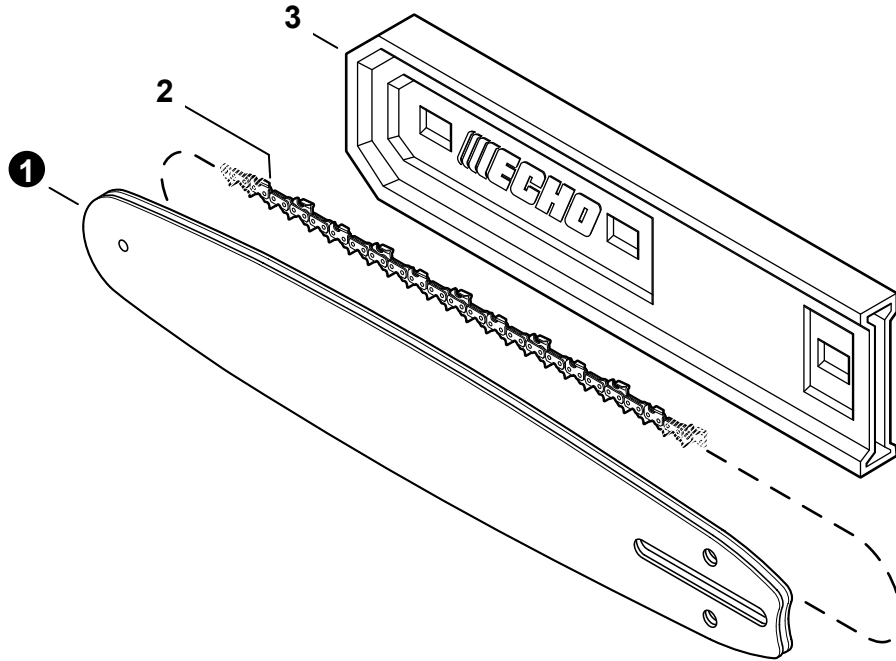
| NO. | PART NUMBER       | QTY. | DESCRIPTION                 | NOM DE LA PIÈCE                       |
|-----|-------------------|------|-----------------------------|---------------------------------------|
| 1   | 9001015           | 1    | <b>GEAR CASE ASSY</b>       | <b>BOÎTIER D'ENGRENAGE COMPLET</b>    |
| 2   | C531000030        | 1    | +COVER, GEAR CASE           | +COUVERCLE BOÎTIER D'ENGRENAGE        |
| 3   | V805000170        | 8    | +BOLT, TORX 5x25            | +BOULON TORX 5x25                     |
| 4   | 43301903933       | 2    | +NUT, FLANGE M6             | +ÉCROU À BRIDE M6                     |
| 5   | <b>P021054080</b> | 1    | <b>+SPROCKET GUARD ASSY</b> | <b>+ASSEMBLAGE PROTECTEUR, PIGNON</b> |
| 6   | C300000921        | 1    | ++GUARD, SPROCKET           | ++COURVERCLE DE PIGNON                |
| 7   | V203000041        | 1    | ++BOLT 5                    | ++BOULON 5                            |
| 8   | C309000030        | 1    | ++TENSIONER, CHAIN          | ++TENDEUR DE CHAÎNE                   |
| 9   | V651000320        | 1    | ++GEAR - 14 TOOTH           | ++ENGRENAGE - 14 DENTS                |
| 10  | V651000310        | 1    | ++GEAR - 14 TOOTH           | ++ENGRENAGE - 14 DENTS                |
| 11  | V252000040        | 1    | ++SCREW 4                   | ++VIS 4                               |
| 12  | V355000140        | 1    | ++COLLAR 8                  | ++COLLET 8                            |
| 13  | V583000090        | 1    | +RING, SNAP                 | +ANNEAU ÉLASTIQUE                     |
| 14  | V307000160        | 1    | +WASHER 10                  | +RONDELLE 10                          |
| 15  | C580000070        | 1    | +SPROCKET, DRIVE            | +PIGNON DE COMMANDE                   |
| 16  | 17501439131       | 1    | +WASHER 10                  | +RONDELLE 10                          |
| 17  | <b>C022000010</b> | 1    | <b>+AUTO-OILER ASSY</b>     | <b>+GRAISSEUR AUTOMATIQUE COMPLET</b> |
| 18  | 12532715130       | 1    | ++E-RING                    | ++BAGUE EN E                          |
| 19  | P022010660        | 1    | ++SPRING                    | ++RESSORT                             |
| 20  | P022010650        | 1    | ++PLUNGER ASSY              | ++PISTON COMPLET                      |
| 21  | P022010640        | 1    | ++CAP, PLUNGER              | ++BOUCHON DE PISTON                   |
| 22  | P022010670        | 1    | ++SPRING                    | ++RESSORT                             |
| 23  | P022010680        | 1    | ++ADJUSTER, OILER           | ++RÉGLEUR DE GRAISSEUR                |
| 24  | 43620502832       | 1    | +FILTER, OIL                | +FILTRE À HUILE                       |
| 25  | 13211501462       | 1    | +GROMMET                    | +OEILLET                              |
| 26  | 13011012331       | 1    | +PIPE 3x6x70                | +TUYAU 3x6x70                         |
| 27  | V470000181        | 1    | +PIPE, OIL OUTLET           | +TUYAU DE SORTIE À HUILE              |
| 28  | 43724439130       | 1    | +PAD, FOAM                  | +COUSSIN MOUSSE                       |
| 29  | V805000130        | 7    | +BOLT, TORX 5x10            | +BOULON TORX 5x10                     |
| 30  | C649000140        | 1    | +HOOK                       | +MOUSQUETON                           |
| 31  | V224000040        | 2    | +BOLT, STUD 6               | +GOUJON 6                             |
| 32  | 43706338330       | 1    | +GEAR, WORM                 | +ENGRENAGE À VIS SANS FIN             |
| 33  | C531000430        | 1    | +CASE, GEAR                 | +BOÎTIER D'ENGRENAGE                  |
| 34  | 9404206001        | 4    | +BEARING, BALL              | +ROULEMENT À BILLES                   |
| 35  | 90070600012       | 2    | +RING, SNAP 12              | +ANNEAU ÉLASTIQUE 12                  |
| 36  | 61002522361       | 1    | +CONNECTOR, DRIVESHAFT      | +CONNEXION DE ARBRE DE TRANSMISSION   |
| 37  | P021009723        | 1    | +GEAR SET, BEVEL            | +ENSEMBLE DE ENGRENAGE CONIQUE        |
| 38  | C534000430        | 1    | +SHAFT, GEAR                | +ARBRE-PIGNON                         |
| 39  | 13131406320       | 1    | +VENT ASSY                  | +ÉVENT COMPLET                        |
| 40  | V354000010        | 1    | +COLLAR 6                   | +COLLET 6                             |
| 41  | V805000170        | 1    | +BOLT, TORX 5x25            | +BOULON TORX 5x25                     |
| 42  | V805000160        | 2    | +BOLT, TORX 5x20            | +BOULON TORX 5x20                     |
| 43  | 13104528230       | 2    | +SPACER 6.2x7.8x6           | +ENTRETOISE 6.2x7.8x6                 |
| 44  | C200000081        | 1    | +TANK, OIL                  | +RESERVOIR D'HUILE                    |
| 45  | <b>P021005592</b> | 1    | <b>+CAP ASSY</b>            | <b>+BOUCHON COMPLET</b>               |
| 46  | 90072000018       | 1    | ++O-RING 18                 | ++JOINT TORIQUE 18                    |
| 47  | A365000050        | 1    | ++CONNECTOR, CAP L= 60 MM   | ++CONNEXION DU BOUCHON L= 60 MM       |



| NO. | PART NUMBER | QTY. | DESCRIPTION             | NOM DE LA PIÈCE     |
|-----|-------------|------|-------------------------|---------------------|
| 1   | 30100022060 | 1    | STRAP ASSY, SHOULDER    | BANDOULIÈRE COMPLET |
| 2   | P021049240  | 1    | HANGER KIT              | KIT DE CROCHET      |
| 3   | V805000130  | 1    | +BOLT, TORX 5x10        | +BOULON TORX 5x10   |
| 4   | V263000080  | 1    | +NUT, M5x8 NYLON INSERT | +ÉCROU M5x8         |



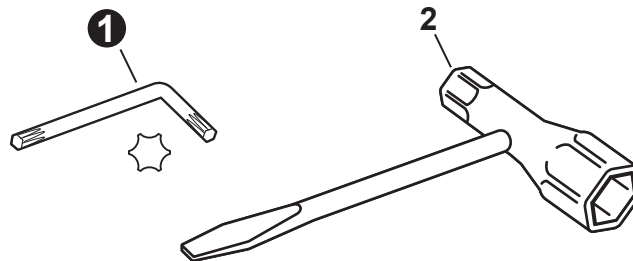
| NO. | PART NUMBER | QTY. | DESCRIPTION                        | NOM DE LA PIÈCE                        |
|-----|-------------|------|------------------------------------|--|
| 1   | 89033252730 | 1    | LABEL - CHOKE                      | ÉTIQUETTE - ÉTRANGLEUR                 |
| 2   | X532004980  | 1    | LABEL - SPARK PLUG - CMR7H         | ÉTIQUETTE BOUGIE D'ALLUMAGE CMR7H      |
| 3   | X503014600  | 1    | LABEL - MODEL PPT-2620H            | ÉTIQUETTE MODÈLE PPT-2620H             |
| 4   | X547003150  | 1    | LABEL - RECOIL STARTER - PPT-2620H | ÉTIQUETTE LANCEUR À RAPPEL - PPT-2620H |
| 5   | X505002372  | 1    | LABEL - CAUTION                    | ÉTIQUETTE D'AVERTISSEMENT              |



| NO. | PART NUMBER | QTY. | DESCRIPTION              | NOM DE LA PIÈCE                |
|-----|-------------|------|--------------------------|--------------------------------|
| 1A  | 10A0CD3739C | 1    | GUIDE BAR, 10" 0.050" GA | GUIDE-CHAÎNE 25 CM 0.050" GA   |
| 1B  | 10A4CD3739C | 1    | GUIDE BAR, 10" 0.043" GA | GUIDE-CHAÎNE 25 CM 0.043" GA   |
| 1C  | 12A0CD3744C | 1    | GUIDE BAR, 12" 0.050" GA | GUIDE-CHAÎNE 30 CM 0.050" GA   |
| 1D  | 12A4CD3744C | 1    | GUIDE BAR, 12" 0.043" GA | GUIDE-CHAÎNE 30 CM 0.043" GA   |
| 2A  | 91VXL39CQ   | 1    | SAW CHAIN 10" 0.050" GA  | CHAÎNE DE SCIE 25 CM 0.050" GA |
| 2B  | 90PX39CQ    | 1    | SAW CHAIN 10" 0.043" GA  | CHAÎNE DE SCIE 25 CM 0.043" GA |
| 2C  | 91VXL44CQ   | 1    | SAW CHAIN 12" 0.050" GA  | CHAÎNE DE SCIE 30 CM 0.050" GA |
| 2D  | 90PX44CQ    | 1    | SAW CHAIN 12" 0.043" GA  | CHAÎNE DE SCIE 30 CM 0.043" GA |
| 3   | X490001030  | 1    | SCABBARD 10"             | FOURREAU 25 CM                 |
| 3   | X490001040  | 1    | SCABBARD 12"             | FOURREAU 30 CM                 |

**Tools**

Outils



| NO. | PART NUMBER | QTY. | DESCRIPTION       | NOM DE LA PIÈCE   |
|-----|-------------|------|-------------------|-------------------|
| 1   | X605000060  | 1    | WRENCH, T27 80x30 | CLÉ T27 80x30     |
| 2   | X601000030  | 1    | T-WRENCH 10x16 MM | CLÉ EN T 10x16 MM |



| NO. | PART NUMBER | QTY. | DESCRIPTION                         | NOM DE LA PIÈCE                                |
|-----|-------------|------|-------------------------------------|--|
| 1   | 90181Y      | 1    | TUNE-UP KIT - YOUCAN™               | TROUSSE DE MISE AU POINT - YOUCAN™             |
| 2   | A226002040  | 1    | +PRE-FILTER, FOAM                   | +PRÉ-FILTRE EN MOUSSE                          |
| 3   | A226002030  | 1    | +FILTER, AIR                        | +FILTRE D'AIR                                  |
| 4   | A369000470  | 1    | +FILTER, FUEL                       | +FILTRE À CARBURANT                            |
| 5   | A425000060  | 1    | +SPARK PLUG - CMR7H                 | +BOUGIE D'ALLUMAGE - CMR7H                     |
| 6   | 90182Y      | 1    | FUEL SYSTEM KIT - YOUCAN™           | TROUSSE DE SYSTÈME DE CARBURANT - YOUCAN™      |
| 7   | 13201256030 | 1    | +PIPE, FUEL 3x6x80 YELLOW           | +TUYAU DE CARBURANT 3x6x80 JAUNE               |
| 8   | V186000500  | 1    | +CONNECTOR, PIPE                    | +CONNEXION DE TUYAU                            |
| 9   | A356000031  | 1    | +VENT ASSY                          | +ÉVENT COMPLET                                 |
| 10  | V490001230  | 1    | +CLIP 6.5 MM                        | +ATTACHE 6.5 MM                                |
| 11  | 13201006531 | 1    | +PIPE, FUEL 3x6x85 BLACK            | +TUYAU DE CARBURANT 3x6x85 NOIR                |
| 12  | V471005650  | 1    | +PIPE, FUEL 3x5.5x83 BLACK          | +TUYAU DE CARBURANT 3x5.5x83 NOIR              |
| 13  | 13211555931 | 1    | +GROMMET, FUEL                      | +OEILLET CARBURANT                             |
| 14  | 13131435430 | 1    | +FILTER, VENT                       | +FILTRE RESPIRATOIRE                           |
| 15  | V471005440  | 1    | +PIPE, FUEL 3x7x10 BLACK            | +TUYAU DE CARBURANT 3x7x10 NOIR                |
| 16  | V186000520  | 1    | +CONNECTOR, PIPE 5x3.5              | +CONNEXION DE TUYAU 5x3.5                      |
| 17  | V490001240  | 2    | +CLIP 6                             | +ATTACHE 6                                     |
| 18  | V471003651  | 1    | +PIPE, FUEL - 3x5x125 - BLACK       | +TUYAU DE CARBURANT 3x5x125 NOIR               |
| 19  | A413000190  | 1    | +BOOT                               | +BOTTE   |
| 20  | A369000470  | 1    | +FILTER, FUEL                       | +FILTRE À CARBURANT                            |
| 21  | V107000210  | 1    | +GASKET, FUEL CAP                   | +JOINT BOUCHON DE CARBURANT                    |
| 22  | A263000020  | 1    | +BULB, PURGE                        | +POIRE DE PURGE                                |
| 23  | P021051540  | 1    | GASKET KIT: ENGINE, INTAKE, EXHAUST | KIT DE JOINTS - MOTEUR, ADMISSION, ÉCHAPPEMENT |
| 24  | V100000840  | 1    | +GASKET, CYLINDER                   | +JOINT CYLINDRE                                |
| 25  | V102000300  | 1    | +GASKET, CRANKCASE                  | +JOINT CARTER DE MOTEUR                        |
| 26  | V103001900  | 1    | +GASKET, INTAKE                     | +JOINT D'ADMISSION                             |
| 27  | V103001890  | 1    | +HEAT SHIELD, INTAKE                | +BOUCLIER THERMIQUE ADMISSION                  |
| 28  | V104002310  | 1    | +HEAT SHIELD, EXHAUST               | +BOUCLIER THERMIQUE ÉCHAPPEMENT                |

**Bulk Pipe**  
Tuyau en vrac

| NO. | PART NUMBER | QTY. | DESCRIPTION                             | NOM DE LA PIÈCE                           |
|-----|-------------|------|---|---|
| 1   | 90014       | 1    | BULK PIPE - 3x5 MM BLACK (4 PIECESx2 M) | TUYAU EN VRAC 3x5 MM NOIR (4 PIÈCESx2 M)  |
| 2   | 90015       | 1    | BULK PIPE - 3x6 MM BLACK (4 PIECESx2 M) | TUYAU EN VRAC 3x6 MM NOIR (4 PIÈCESx2 M)  |
| 3   | 90016       | 1    | BULK PIPE - 3x7 MM BLACK (4 PIECESx2 M) | TUYAU EN VRAC 3x7 MM NOIR (4 PIÈCESx2 M)  |
| 4   | 90017       | 1    | BULK PIPE - 3x6 MM CLEAR (4 PIECESx2 M) | TUYAU EN VRAC 3x6 MM CLAIR (4 PIÈCESx2 M) |
| 5   | 90018       | 1    | BULK PIPE - 2x4 MM CLEAR (4 PIECESx2 M) | TUYAU EN VRAC 2x4 MM CLAIR (4 PIÈCESx2 M) |

**Bulk Starter Rope**  
Corde du démarreur en vrac

| NO. | PART NUMBER | QTY. | DESCRIPTION                     | NOM DE LA PIÈCE                        |
|-----|-------------|------|---------------------------------|--|
| 1   | 99944435000 | 1    | BULK STARTER ROPE - 2.3 MMx61 M | CORDE DU DÉMARREUR EN VRAC 2.3 MMx61 M |
| 2   | 99944440000 | 1    | BULK STARTER ROPE - 3.0 MMx61 M | CORDE DU DÉMARREUR EN VRAC 3.0 MMx61 M |
| 3   | 99944445000 | 1    | BULK STARTER ROPE - 3.5 MMx61 M | CORDE DU DÉMARREUR EN VRAC 3.5 MMx61 M |
| 4   | 99944450000 | 1    | BULK STARTER ROPE - 4.0 MMx61 M | CORDE DU DÉMARREUR EN VRAC 4.0 MMx61 M |
| 5   | 99944455000 | 1    | BULK STARTER ROPE - 4.4 MMx61 M | CORDE DU DÉMARREUR EN VRAC 4.4 MMx61 M |
| 6   | 99944460000 | 1    | BULK STARTER ROPE - 4.8 MMx61 M | CORDE DU DÉMARREUR EN VRAC 4.8 MMx61 M |