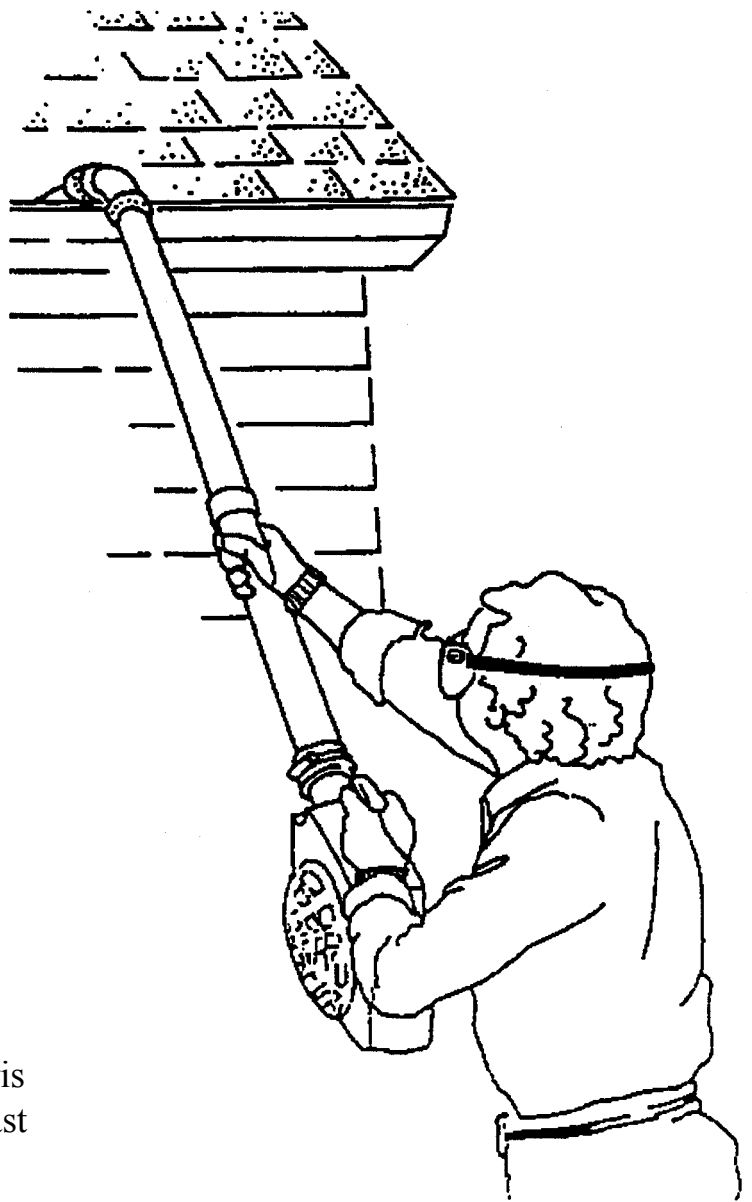




**RAIN GUTTER KIT
99944100010
INSTRUCTIONS**

RAIN GUTTER CLEAN-OUT KIT

Blows leaves, pine needles and other debris from your rain gutters with a powerful blast of air from your backpack or hand held ECHO Power Blower.



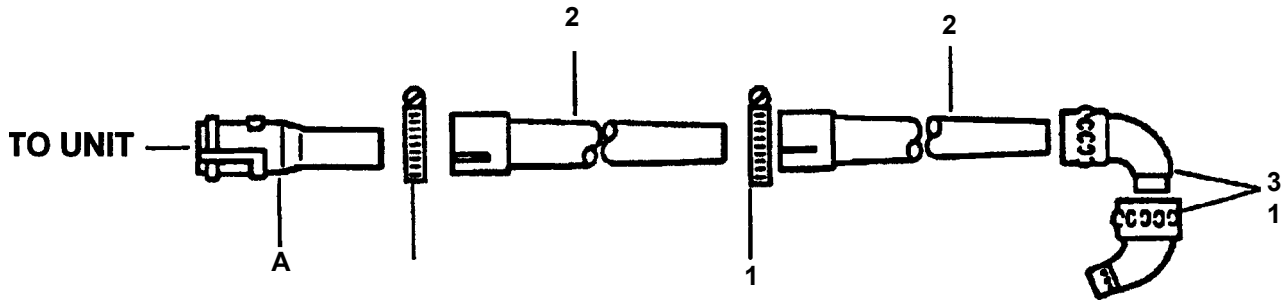
**ECHO, INCORPORATED
400 OAKWOOD ROAD
LAKE ZURICH, IL 60047
www.echo-usa.com**

X7501131402

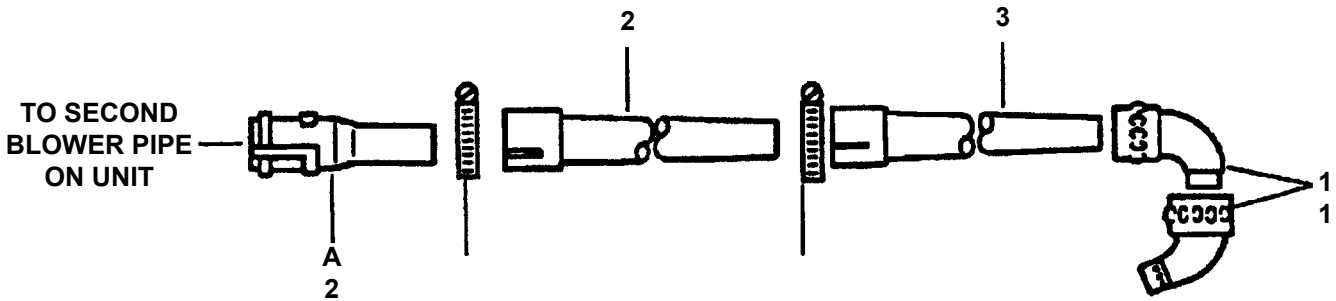
**X750002372
04/10**

RAIN GUTTER KIT 99944100010

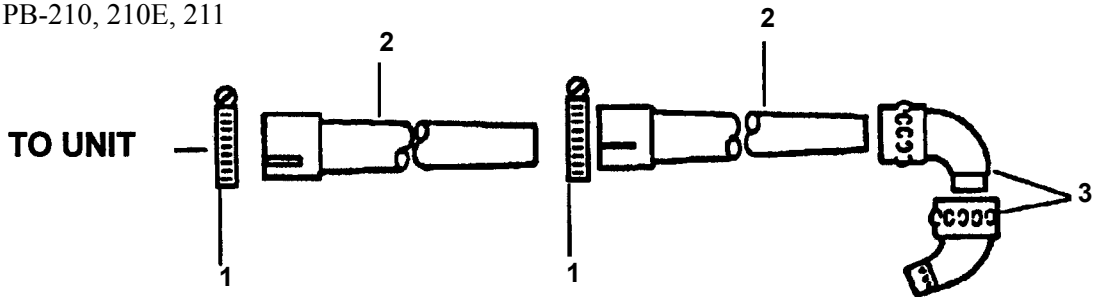
FOR MODELS: PB-200, 201, 2100, 230LN, 231LN, 24LN, 2400, 260L, 261L



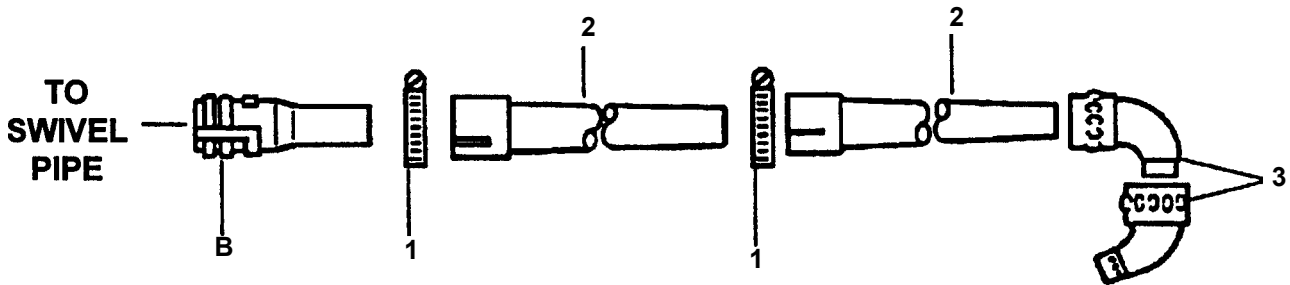
FOR MODELS: PB-600 S/N 505401 & UP, PB-601 S/N 506001 & UP, PB-602, 603, 610, 611



FOR MODELS: PB-210, 210E, 211



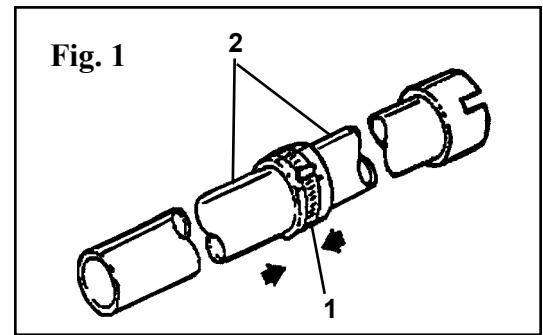
FOR MODELS: PB-46LN, 46HT, 60HT, 400E, 403, 410, 411, 413, 460LN, 461LN, 600 TO S/N 505400, 601 TO S/N 505600, 6000



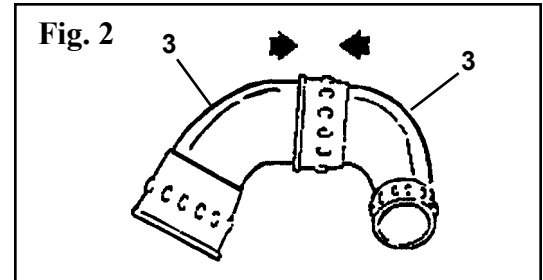
KEY	PART NUMBER	QTY	DESCRIPTION	REMARKS
1	21041304260	2	Clamp	
2	21001504260	2	Straight Pipe	
3	21002304260	2	Elbow Nozzle	
A	21002004260	1	Adapter	
B	21002003460	1	Adapter	

ASSEMBLY INSTRUCTIONS

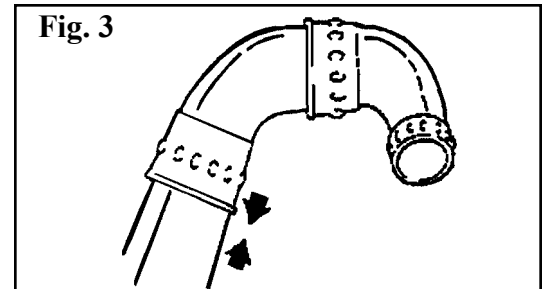
1. Connect 2 long tubes (2) as shown in Fig. 1. Secure tubes with clamp.



2. Connect 2 elbows (3) that make up adjustable nozzle. Fig. 2.

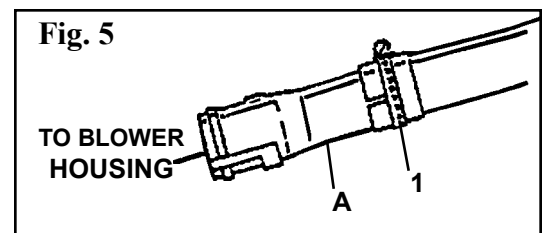
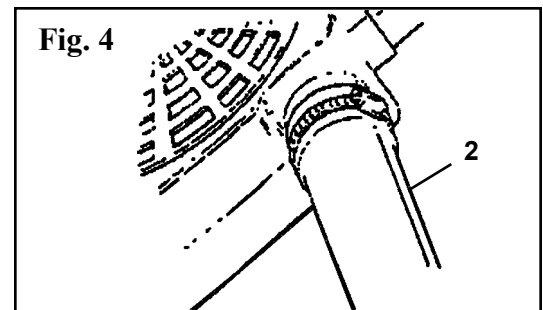


3. Install the adjustable nozzle to the small end of extension tube as shown in Fig. 3.



4. Connect slotted end of straight pipe (2) to blower models as follows:

- Models PB-210, 210E, 211: Connect slotted end of straight pipe (2) directly to blower housing. See Fig. 4.
- Models PB-46LN, 46HT, 60HT, 400E, 403, 460LN, 461LN, 600 TO S/N 505400, 601 TO S/N 505600, 6000: Connect slotted end of pipe (2) to adapter (B). Connect adapter (B) to blower swivel pipe.
- Models PB-200, 201, 2100, 230LN, 231LN, 24LN, 2400, 260L, and 261L: Connect adapter (A) to unit then connect kit to adapter with clamp (1). See Fig. 5.
- Models PB-600 S/N 505401 & UP, PB-601 S/N 506001 & UP, PB-602, 603, 610, 611: Connect adapter (A) to second blower unit pipe then connect kit pipes to adapter with clamp (1).



NOTE

Use only enough pipes to comfortably reach the inside of the gutter.

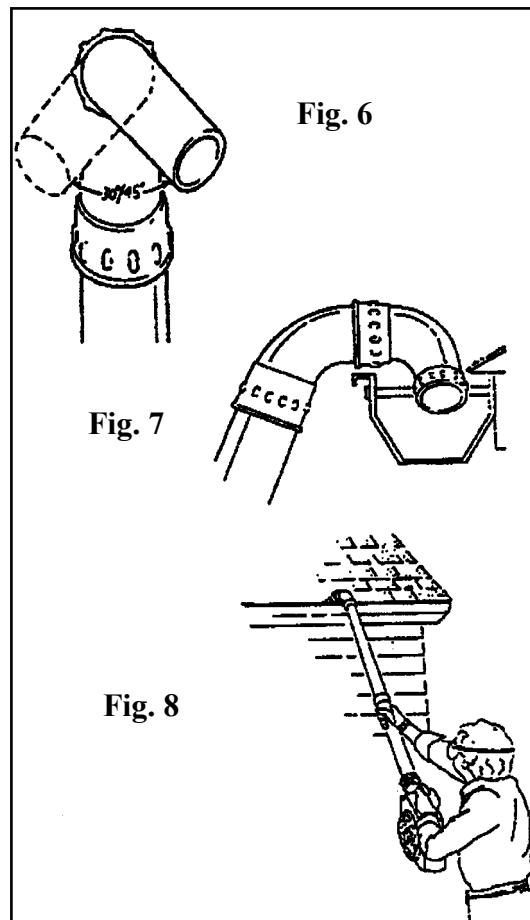
OPERATING INSTRUCTIONS

1. For best results, angle pipes approximately 10 degrees from the side of the rain gutter. The adjustable nozzle should be angled 30 to 45 degrees in the direction you will be cleaning. See Fig. 6.
2. Start the unit and slide the nozzle along the lip of the gutter, (See Fig. 7) lifting the outlet nozzle up and over the gutter support brackets. Keep the long pipes angled slightly ahead of you in the direction you are cleaning. See Fig. 8.

NOTE

When the power blower is started, the air exiting from the nozzle will cause the long extension to sway slightly. Hold the unit firmly for effective cleaning.

Individual conditions will vary when using this attachment. Some practice and experimentation will be necessary to find the best and most effective position for the type of house and gutter design.



SAFETY INSTRUCTIONS



WARNING

The operation of any power tool can result in foreign objects being thrown into the eyes, which can result in severe eye damage. Always wear safety goggles before commencing power tool operation. (These goggles meet ANSI Standard Z-87.1.)

- **DO NOT** operate blower and attachments when fatigued.
- **DO NOT** overreach or stand on unstable support, keep good footing and balance at all times.
- Never direct airflow towards bystanders. Always be aware of direction the debris will be thrown.
- Wear ear protection whenever possible.
- Always use a face filter mask to avoid breathing dust.
- **DO NOT** block gutter nozzle in order to avoid engine damage due to over speed.
- Follow all safety instructions as outline in you power blowers Operator's Manual.