



**OPTIONAL ATTACHMENTS &
ACCESSORIES:**

Accessories:

- 61102207061 25mm Wheel Adapter
- 99944700011 Diamond Wheel - 12"/20mm
- 99944700012 Diamond Wheel - 12"/25mm
- 99944700013 Diamond Wheel - 14"/20mm
- 99944700014 Diamond Wheel - 14"/25mm
- 99944700015 Diamond Wheel - 12"/20mm
- 99944700016 Diamond Wheel - 12"/25mm
- 99944700017 Diamond Wheel - 14"/20mm
- 99944700018 Diamond Wheel - 14"/25mm
- 99944700019 Diamond Wheel - 12"/20mm
- 99944700020 Diamond Wheel - 12"/20mm
- 99944700021 Diamond Wheel - 12"/25mm
- 99944700022 Diamond Wheel - 14"/20mm
- 99944700023 Diamond Wheel - 14"/25mm
- 99944700030 Diamond Wheel - 12"/20mm
- 99944700050 Diamond Wheel - 12"/25mm
- 99944700053 Abrasive Wheel - 14"/20mm
- 99944700054 Abrasive Wheel - 14"/25mm
- 99944700057 Abrasive Wheel - 14"/20mm
- 99944700058 Abrasive Wheel - 14"/25mm
- 99944700060 Diamond Wheel - 12"/25mm
- 99944700063 Abrasive Wheel - 14"/20mm
- 99944700064 Abrasive Wheel - 14"/25mm
- 99944700067 Abrasive Wheel - 14"/20mm
- 99944700068 Abrasive Wheel - 14"/25mm
- 99944700070 Abrasive Wheel - 12"/20mm
- 99944700080 Abrasive Wheel - 12"/20mm
- 99944700090 Abrasive Wheel - 12"/20mm
- 99944700100 Abrasive Wheel - 12"/20mm
- 99944700120 Abrasive Wheel - 12"/25mm
- 99944700130 Abrasive Wheel - 12"/25mm
- 99944700140 Abrasive Wheel - 12"/25mm
- 99944700150 Abrasive Wheel - 12"/25mm
- 99944700170 Two Wheel Cart
- 99944700181 Water Kit
- 99944700190 CSG_QV Storage Case

PARTS CATALOG
CSG-680 Cut-Off Saw

66.8 cc

SERIAL NUMBER

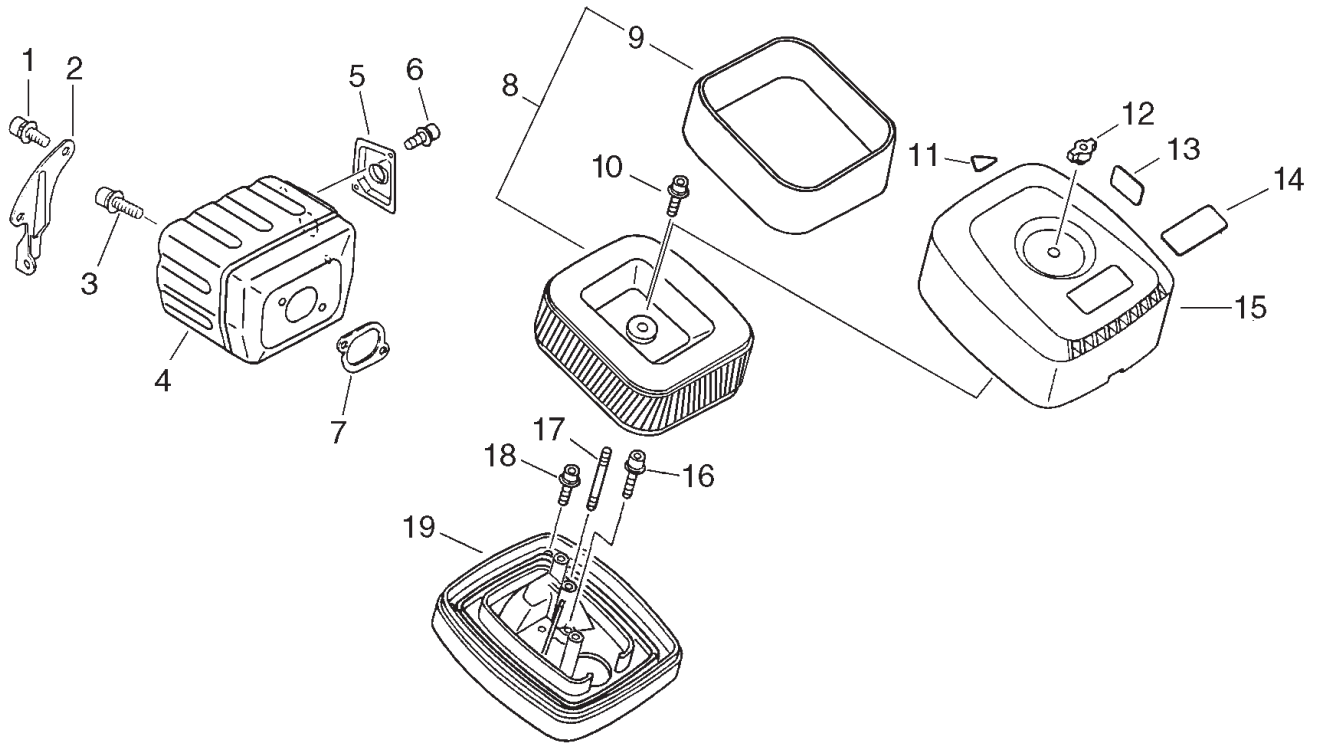
C02004001001-C02004999999

ECHO, INCORPORATED

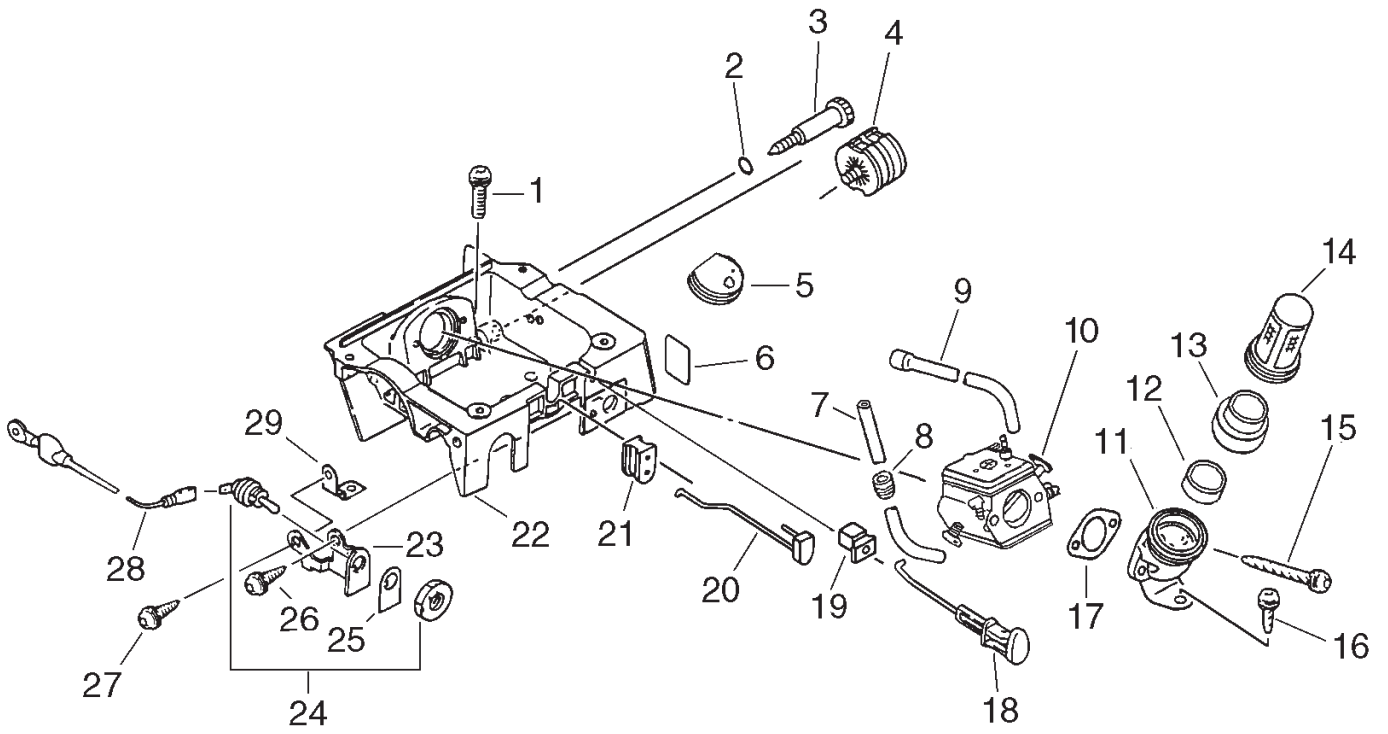
400 Oakwood Road, Lake Zurich, Illinois 60047

WWW.ECHO-USA.COM

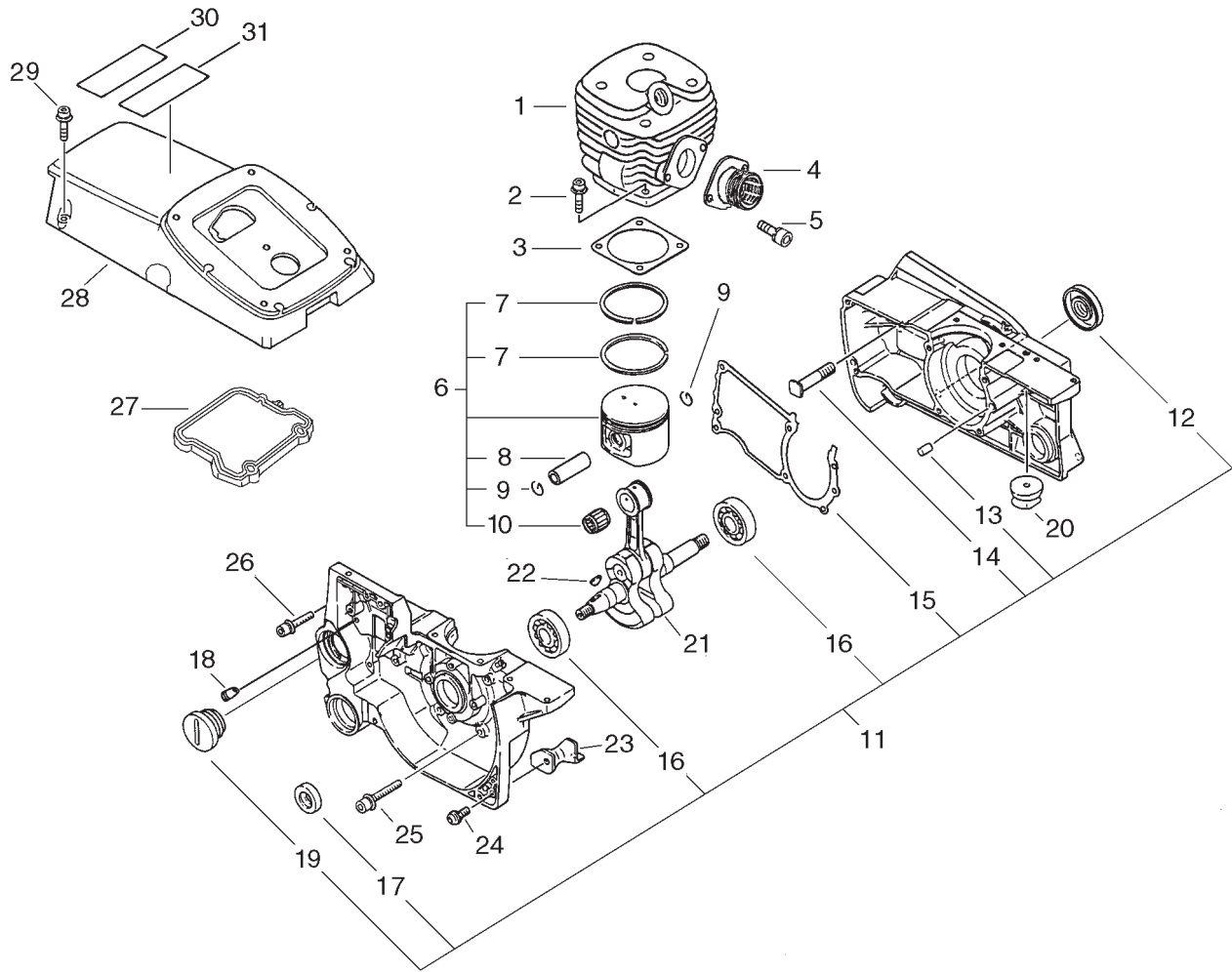
Air Filter, Exhaust	3	Arm Cover, Clutch	12
Intake	4	Arm Cover, Clutch	13
Intake	5	Blade Cover, Belt	14
Engine, Crankcase, Cylinder Cover	6	Blade Cover, Belt	15
Engine, Crankcase, Cylinder Cover	7	Carburetor	16
Ignition, Starter	8	Carburetor	17
Ignition, Starter	9		
Handles, Fuel System	10		
Handles, Fuel System	11		



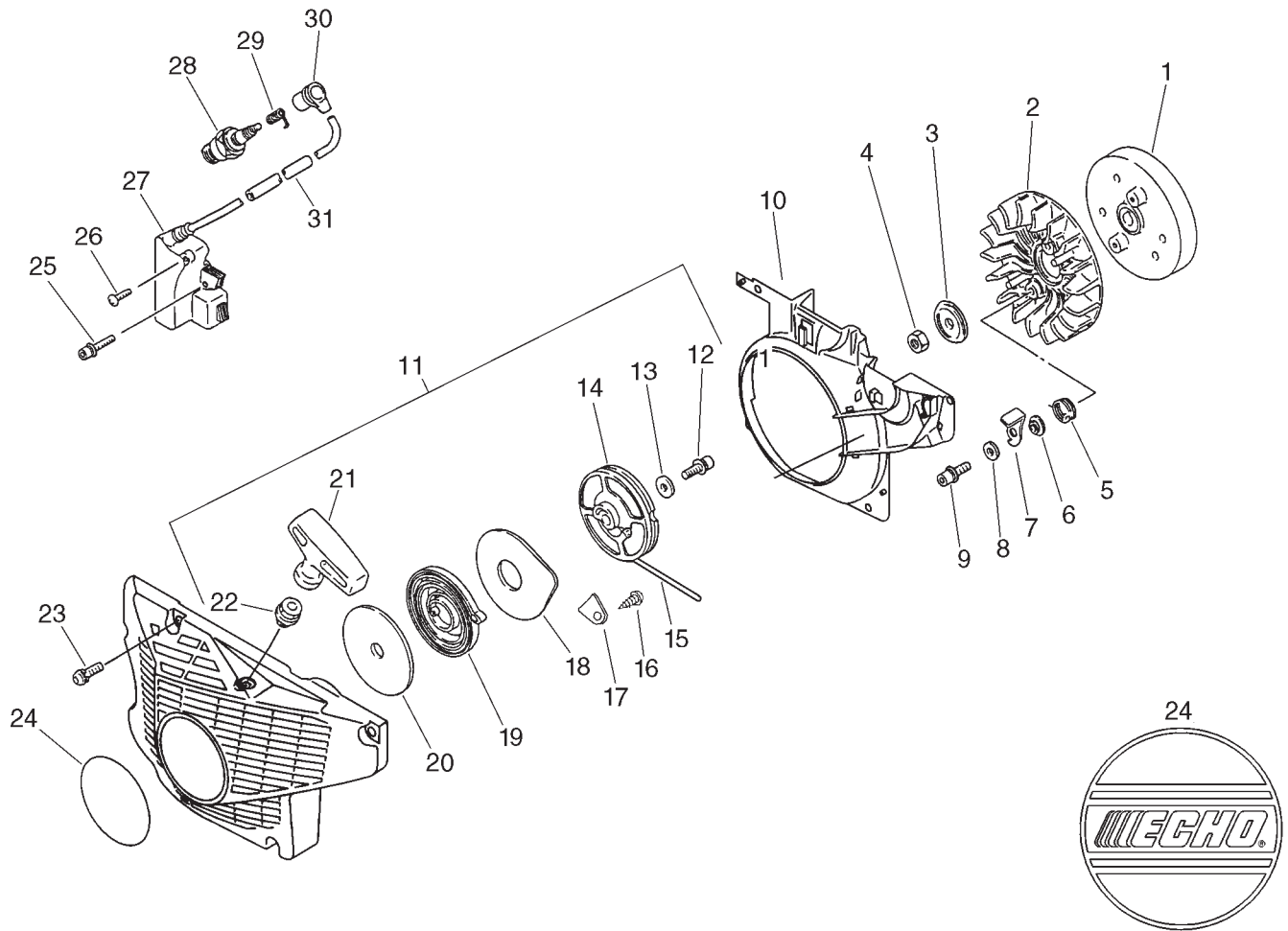
NO.	PART NUMBER	QTY.	DESCRIPTION
1	90016205014	2	BOLT, H.S. 5*14
2	14571132430	1	BRACKET, MUFFLER
3	90016205020	2	BOLT, H.S. 5*20
4	14561032430	1	MUFFLER
5	A313000460	1	GUIDE, EXH
6	90016204010	2	BOLT, H.S. 4*10
7	14551032431	1	GASKET, MUFFLER
8	13030507061	1	FILTER, AIR
9	13030525061	1	+FILTER, AIR
10	13043507060	2	BOLT
11	89035507060	1	LABEL
12	13032205260	1	NUT (BL)
13	89034407060	1	LABEL, CAUTION
14	X503005170	1	LABEL, MODEL
15	13031320860	1	COVER, AIR CLEANER
16	90023805025	1	SCREW 5*25
17	13071206061	1	STUD
18	90023805016	4	SCREW 5*16
19	A225000120	1	CASE, CLEANER



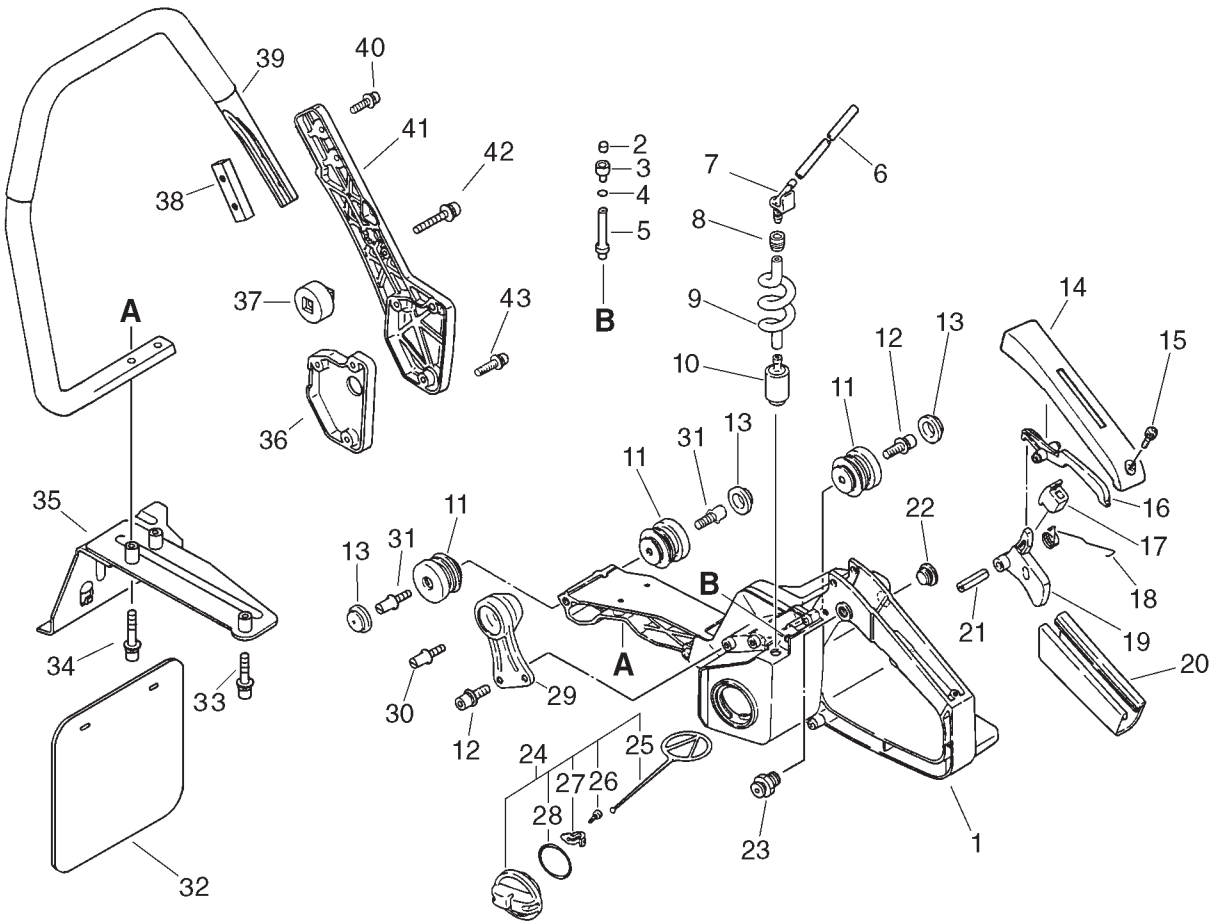
NO.	PART NUMBER	QTY.	DESCRIPTION
1	90016205020	4	BOLT, H.S. 5*20
2	90072020007	1	O-RING 7
3	12901307061	1	SCREW, IDLE ADJUST.
4	10090532331	1	CUSHION (R)
5	V140000010	1	GROMMET,HOSE
6	89018503460	1	LABEL, IDLE
7	43721114730	1	PIPE, OIL
8	13211501461	1	GROMMET
9	13011019830	1	PIPE, IMPULSE
10	A021000730	1	CARBURETOR,DIAPHRAGM
11	A204000030	1	ELBOW,CARBURETOR
12	V362000020	1	COLLAR,22
13	V420000690	1	CUSHION
14	13082106060	1	SCREEN
15	90025205053	2	SCREW 5*53
16	90025205014	1	SCREW 5*14
17	13001020760	1	GASKET, INTAKE
18	17851007060	1	ROD, CHOKE
19	17881033331	1	GROMMET, CHOKE
20	C454000000	1	ROD,THROTTLE
21	17811432630	1	HOLDER, THR. LEVER
22	A220000020	1	CASE,CARBURETOR
23	16381030130	1	BRACKET, SWITCH
24	16340030830	1	SWITCH, IGNITION
25	89034233930	1	LABEL, SWITCH
26	90025205010	1	SCREW 5*10
27	90025204010	1	SCREW 4*10
28	16202132530	1	LEAD
29	15663532530	1	PLATE, GROUND



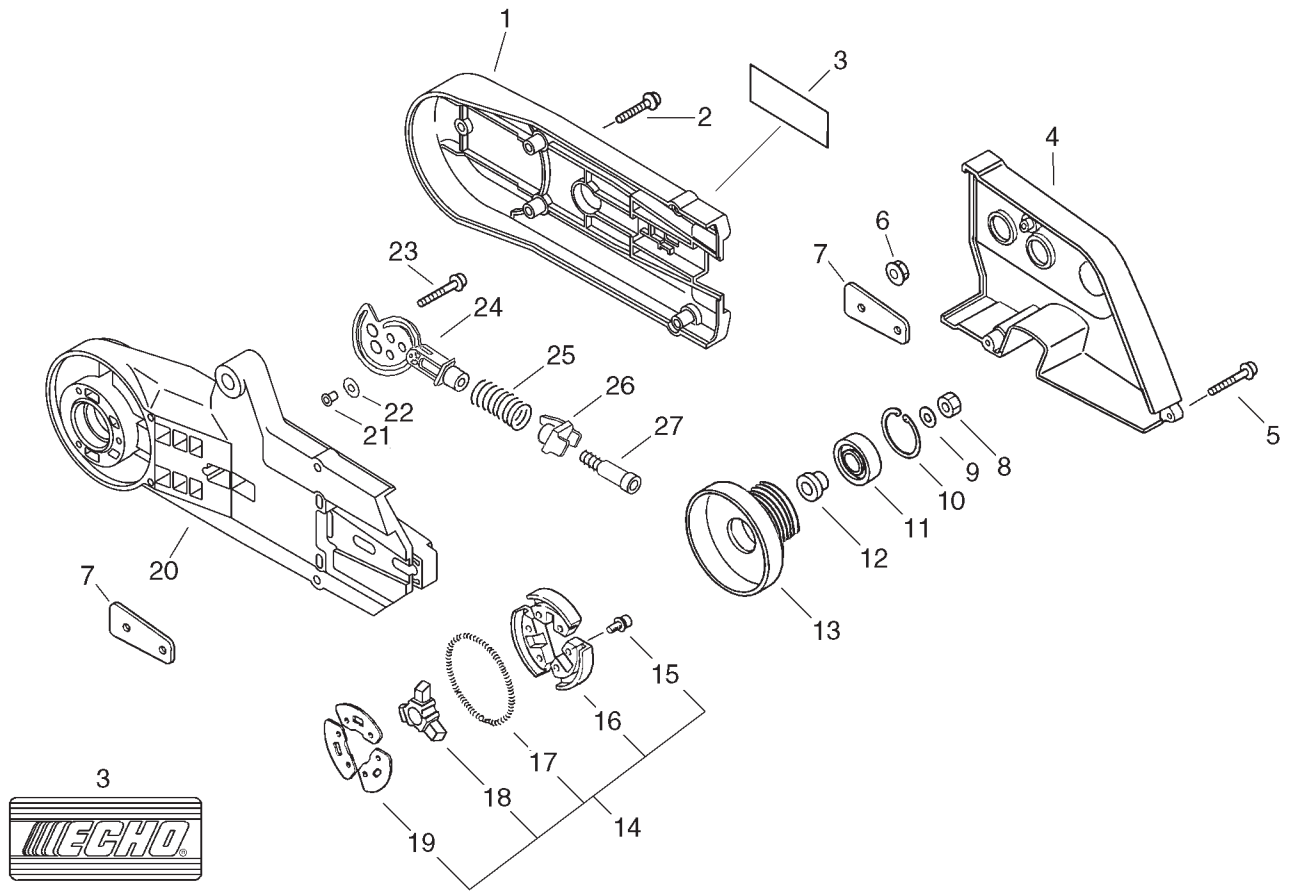
NO.	PART NUMBER	QTY.	DESCRIPTION
1	A130000171	1	CYLINDER
2	90016205025	4	BOLT, H.S. 5*25
3	10101032431	1	GASKET, CYL. BASE
4	A202000040	1	BELLOWS,INTAKE
5	90016204014	2	BOLT, H.S. 4*14
6	P021006680	1	PISTON KIT
7	10001132430	2	+RING, PISTON
8	V610000000	1	+PIN,ENG 12
9	10001500230	2	+CIRCLIP, PISTON PIN
10	10001232430	1	+BEARING, NEEDLE
11	P021006690	1	CRANKCASE KIT
12	10021232430	1	+OILSEAL (L)
13	10021502830	2	+PIN, DOWEL
14	43301121860	2	+STUD, GUIDE BAR
15	10024232430	1	+GASKET, CRANKCASE
16	90081036202	2	+BEARING, BALL 6202
17	10021219830	1	+OILSEAL
18	43611413930	1	+VALVE, CHECK
19	43601307061	1	+CAP, OIL TANK
20	10025132430	1	CUSHION (A)
21	A011000290	1	CRANKSHAFT,ASM
22	10014230830	1	KEY, WOODRUFF
23	10091732430	1	CUSHION (B)
24	90023805014	1	SCREW 5*14
25	90016205035	4	BOLT, H.S. 5*35
26	90016205020	2	BOLT, H.S. 5*20
27	V420000700	1	CUSHION
28	A160000530	1	COVER,CYLINDER
29	90016205020	5	BOLT, H.S. 5*20
30	89031707060	1	LABEL, CAUTION
31	89017807060	1	LABEL, CAUTION



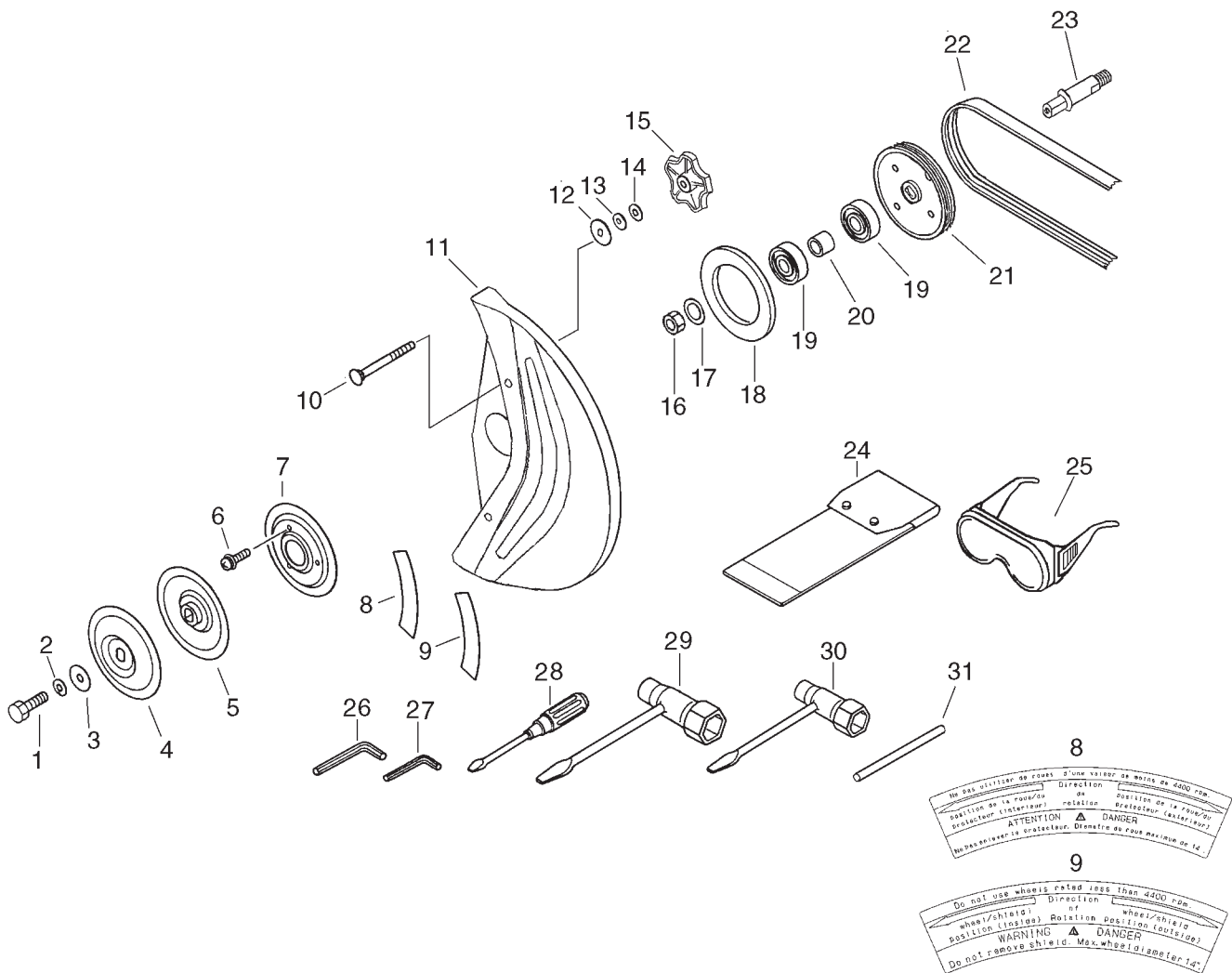
NO.	PART NUMBER	QTY.	DESCRIPTION
1	15680032631	1	ROTOR, MAGNETO
2	10152132330	1	FAN, COOLING
3	10014319830	1	WASHER
4	90050000008	1	NUT 8
5	17723419830	2	SPRING, RETURN
6	17724707060	2	SPACER, RATCHET
7	17721832630	2	PAWL, STARTER
8	90060300005	2	WASHER 5
9	90016205014	2	BOLT, H.S. 5*14
10	A172000130	1	COVER,FAN
11	P021004210	1	STARTER ASY
12	90016205014	1	+BOLT, H.S. 5*14
13	90060300005	1	+WASHER 5
14	17721507060	1	+DRUM, STARTER
15	17722606060	1	+ROPE, STARTER
16	90025304008	1	+SCREW 4*8
17	43314415130	1	+PLATE,EYE
18	17722107060	1	+PLATE, STARTER
19	17722002834	1	+SPRING, REWIND
20	17722102830	1	+PLATE, STARTER
21	17722830830	1	+GRIP, STARTER
22	17722707060	1	+GUIDE, ROPE
23	90016205020	4	BOLT, H.S. 5*20
24	89011817930	1	LABEL, ECHO
25	90016204020	2	BOLT, H.S. 4*20
26	90024204008	1	SCREW
27	15660132631	1	COIL, IGNITION
28	15901010230	1	PLUG, SPARK (BPMR-7A
29	15901103432	1	COIL, SPARK PLUG
30	15901203433	1	CAP, SPARK PLUG
31	15661119830	1	TUBE



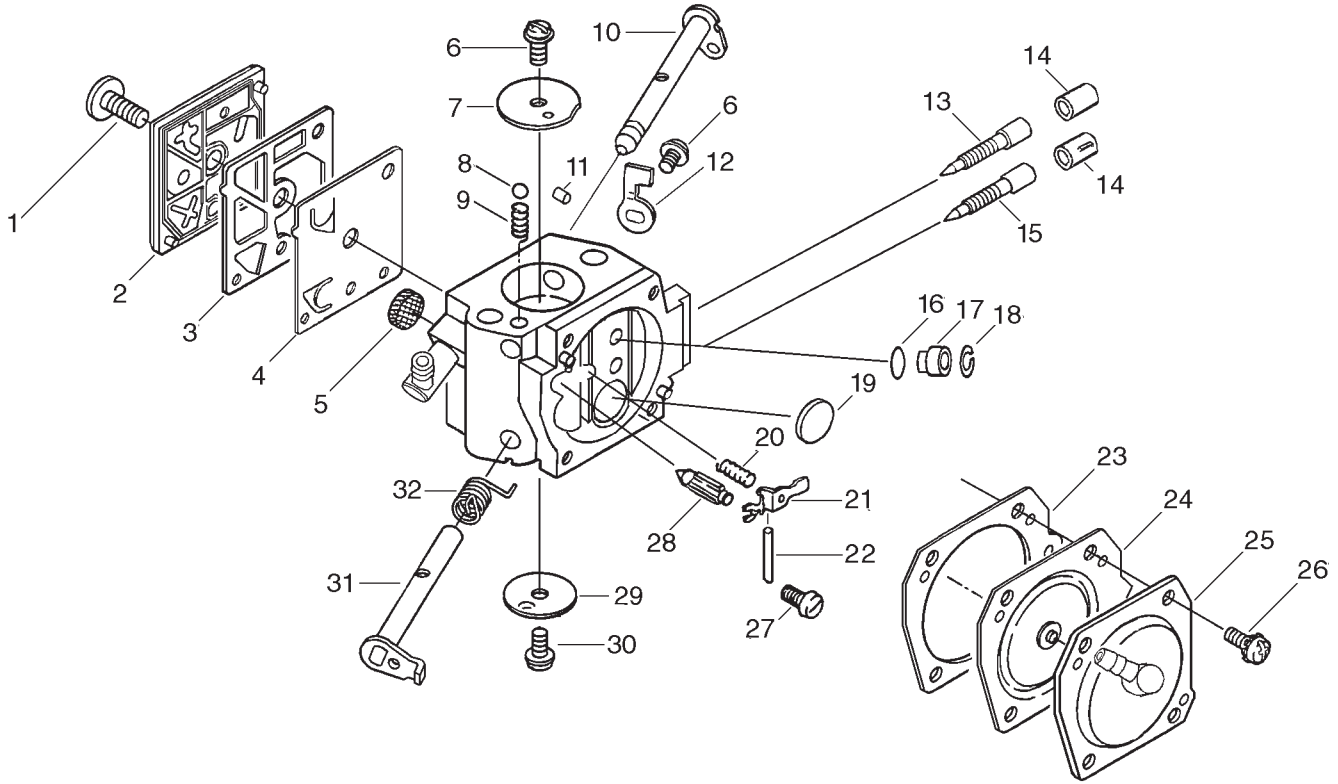
NO.	PART NUMBER	QTY.	DESCRIPTION
1	P021006700	1	HANDLE, REAR
2	13130056430	1	+VALVE, CHECK
3	13132840630	1	+COVER, VENT
4	13011100530	1	+CLIP
5	13131232430	1	+PIPE, VENT
6	13201219830	1	PIPE 3*6*100
7	13201119830	1	CONNECTOR, FUEL PIPE
8	13211501461	1	GROMMET
9	13201030830	1	PIPE
10	13120519830	1	STRAINER, FUEL
11	10092232430	3	CUSHION (A)
12	90016205014	3	BOLT, H.S. 5*14
13	10091819830	3	CAP, CUSHION
14	35115535430	1	COVER, HANDLE (BL)
15	90023804014	1	SCREW 4*14
16	17809037930	1	LOCKOUT, T. CONTROL
17	17807332430	1	CUSHION, THROTTLE
18	17804319830	1	SPRING, THR. RETURN
19	17801038130	1	CONTROL, THROTTLE
20	35111119830	1	GRIP, HANDLE
21	90034250025	1	PIN, SPRING 5*25
22	10157838431	1	PLUG
23	17830237930	1	LATCH, THROTTLE
24	13100437631	1	CAP ASSY, FUEL TANK
25	13105119830	1	+LINK
26	90024603008	1	+SCREW 3*8
27	13105019830	1	+RETAINER, LINK
28	90072020029	1	+O-RING 29
29	10092132431	1	CUSHION(C)
30	10091533930	1	SCREW
31	10091532530	2	BOLT
32	30511506060	1	SHIELD
33	90016205030	1	BOLT, H.S. 5*30
34	90016205035	2	BOLT, H.S. 5*35
35	C423000130	1	FIXTURE,HANDLE
36	35163006060	1	SPACER
37	35161207060	1	SPACER
38	30511406060	1	BRACKET
39	C400000240	1	HANDLE,FRONT
40	90023805020	2	SCREW 5*20
41	35161638230	1	BRACKET, HANDLE
42	90023805030	1	SCREW 5*30
43	90023805035	3	SCREW 5*35



NO.	PART NUMBER	QTY.	DESCRIPTION
1	C361000030	1	COVER, CUTTER ARM
2	90023805025	4	SCREW 5*25
3	89011807060	1	LABEL, ECHO
4	61111120860	1	COVER, V-BELT
5	90023805025	3	SCREW 5*25
6	43301912330	2	NUT, FLANGE 8
7	61111706060	2	SPACER, ARM
8	61032003830	1	NUT 8 L-H
9	90060300008	1	WASHER 8
10	90070200028	1	CIRCLIP 28
11	90080206001	1	BEARING, BALL 6001
12	V356000260	1	COLLAR,10
13	A556000310	1	DRUM,CLUTCH
14	17500006061	1	CLUTCH ASSY
15	90010504006	6	+BOLT, H.S. 4*6
16	17500232431	1	+SHOE, CLUTCH
17	17501832430	1	+SPRING, CLUTCH
18	17501616130	1	+HUB, CLUTCH
19	17501916130	3	+PLATE, CLUTCH
20	C360000000	1	ARM,CUTTER
21	10491508260	1	SPACER
22	17504956030	1	WASHER
23	90016205025	1	BOLT, H.S. 5*25
24	P021006650	1	SHAFT,ARM ADJUST
25	61121605260	1	SPRING, ADJUSTER
26	V455000030	1	SEAT,SPRING
27	V203000070	1	BOLT,5



NO.	PART NUMBER	QTY.	DESCRIPTION
1	61102005261	1	BOLT
2	90060500010	1	WASHER, SPRING 10
3	61101905260	1	WASHER
4	61101507062	1	FLANGE, CUTTER
5	61101407062	1	FLANGE, CUTTER
6	90024104010	3	SCREW 4*10
7	68901305260	1	PLATE
8	X524001130	1	LABEL
9	X524001120	1	LABEL
10	V205000300	1	BOLT,8
11	C370000020	1	COVER,CUTTER
12	V306000110	1	WASHER,CIRCULAR 8
13	90060000008	1	WASHER 8
14	90060500008	1	WASHER, SPRING 8
15	V299000210	1	KNOB,FASTENER
16	90050100010	1	NUT 10*1.25
17	90060200010	1	WASHER 10(10.5*21*2)
18	68902405260	1	PLATE, CUSHION
19	90081206202	2	BEARING, BALL 6202
20	60611721860	1	COLLAR
21	V176000030	1	PULLEY
22	V196000090	1	BELT
23	C364000020	1	SHAFT,CUTTER
24	89851039130	1	BAG, TOOL
25	P021002861	1	GOGGLES
26	89561000130	1	L-WRENCH (4MM)
27	89561203430	1	L-WRENCH (3MM)
28	89581100130	1	DRIVER, SCREW 125
29	89541010630	1	WRENCH, W/S. DRIVER
30	89541000430	1	WRENCH, W/S. DRIVER
31	89751801131	1	LOCKING TOOL



NO.	PART NUMBER	QTY.	DESCRIPTION
	A021000730	1	CARBURETOR,DIAPHRAGM
1	12311003930	1	+SCREW, PUMP COVER
2	12312419830	1	+COVER, FUEL PUMP
3	12312512330	1	+GASKET, FUEL PUMP
4	12311212330	1	+DIAPHRAGM, FUEL PUMP
5	12312610631	1	+SCREEN, INLET
6	12311438830	2	+SCREW
7	12313232430	1	+VALVE, CHOKE
8	12313610630	1	+BALL, CHOKE FRICTION
9	12313510630	1	+SPRING, CHOKE FRICT.
10	P003000590	1	+LEVER, CHOKE
11	12317815030	1	+PLUG, FRICTION
12	12315630830	1	+STOP, THROTTLE
13	12312032631	1	+NEEDLE, HIGH SPEED
14	P003000010	2	+LIMITER CAP
15	12311802261	1	+NEEDLE
16	12318340630	1	+O-RING
17	12318406060	1	+JET #42
18	12316910630	1	+RING, RETAINING
19	12314610631	1	+PLUG, WELCH
20	12312239830	1	+SPRING, METER. LEVER
21	12312318330	1	+LEVER, METERING
22	12313803930	1	+PIN, METERING LEVER
23	12314016131	1	+GASKET, M. DIAPHRAGM
24	12314116131	1	+DIAPHRAGM, METERING
25	P003000000	1	+COVER, M. DIAPHRAGM
26	12313002960	4	+SCREW
27	12313903930	1	+SCREW, M. LEVER PIN
28	12313719830	1	+VALVE, INLET NEEDLE
29	12313216130	1	+VALVE, CHOKE
30	12311405260	1	+SCREW
31	12311732630	1	+SHAFT, THROTTLE
32	12311316130	1	+SPRING, THRT. RETURN