

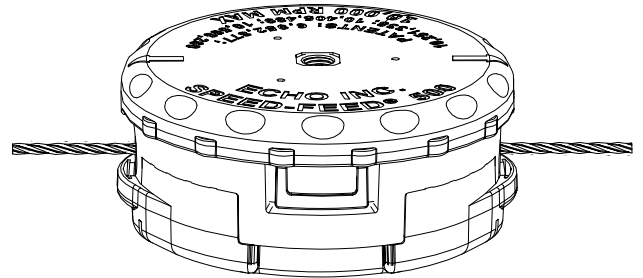


Accessories for ECHO products can be found at:
Pour obtenir des accessoires pour les produits ECHO,
consulter notre catalogue d'accessoires à:
<http://www.echo.ca/products/catalogs>

PARTS CATALOG
NOMENCLATURE DES PIÈCES

99944200950
Speed-Feed® 500
Trimmer Head

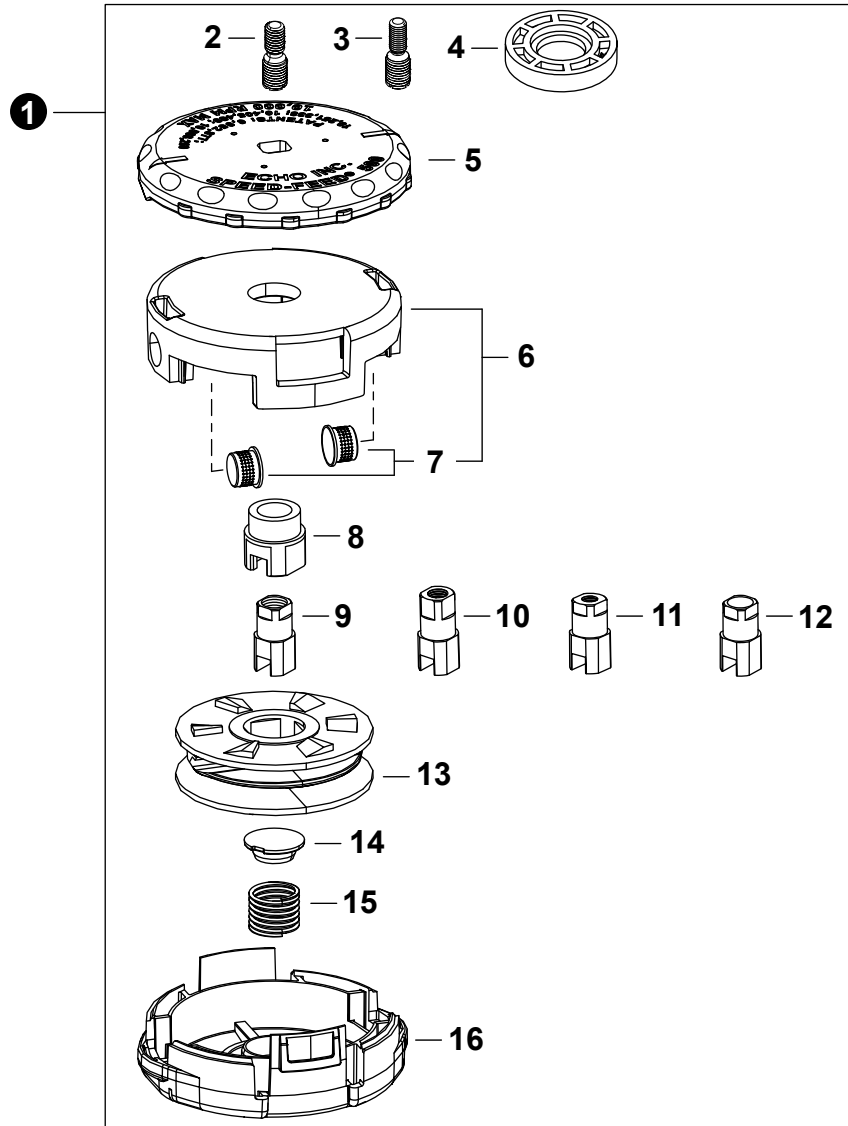
Tête de coupe
Speed-Feed 500



ECHO Incorporated

400 Oakwood Road, Lake Zurich, Illinois 60047

WWW.ECHO-USA.COM



NO.	PART NUMBER	QTY.	DESCRIPTION	NOM DE LA PIÈCE
1	99944200950	1	TRIMMER HEAD, SPEED-FEED® 500	TÊTE DE COUPE SPEED-FEED® 500
2	V216000110	1	+BOLT, STUD M7x1.00 /M10x1.25 LH GOLD	+GOUJON M7x1.00 /M10x1.25 LH OR
3	V225000320	1	+BOLT, STUD M8/M10x1.25 LH SILVER	+GOUJON M8/M10x1.25 LH ARGENTÉ
4	V376001850	1	+SPACER, BLACK	+ENTRETOISE NOIR
5	E415000250	1	+KNOB	+BOUTON
6	X470000430	1	+HOUSING ASSY, SPOOL	+CORPS DE BOBINE COMPLET
7	X475000140	2	++EYELET	++OEILLET
8	V160000270	1	+HUB, SPOOL	+MOYEU DE BOBINE
9	V160000300	1	+BUSHING 10MMx1.25 LH GOLD	+BAGUE 10MMx1.25 LH OR
10	V160000310	1	+BUSHING 10MMx1.00 LH	+BAGUE 10MMx1.00 LH
11	V160000280	1	+BUSHING 8MMx1.25 LH RED	+BAGUE 8MMx1.25 LH ROUGE
12	V160000290	1	+BUSHING 10MMx1.00 LH GREEN	+BAGUE 10MMx1.00 LH VERT
13	X473000160	1	+SPOOL LH	+BOBINE LH
14	V494001290	1	+CAP, SPRING	+BOUCHON DE RESSORT
15	V450001880	1	+SPRING, GOLD	+RESSORT OR
16	X472000090	1	+COVER, SPOOL	+COUVERCLE DE BOBINE