

# Operator's Manual

Manuel d'utilisation

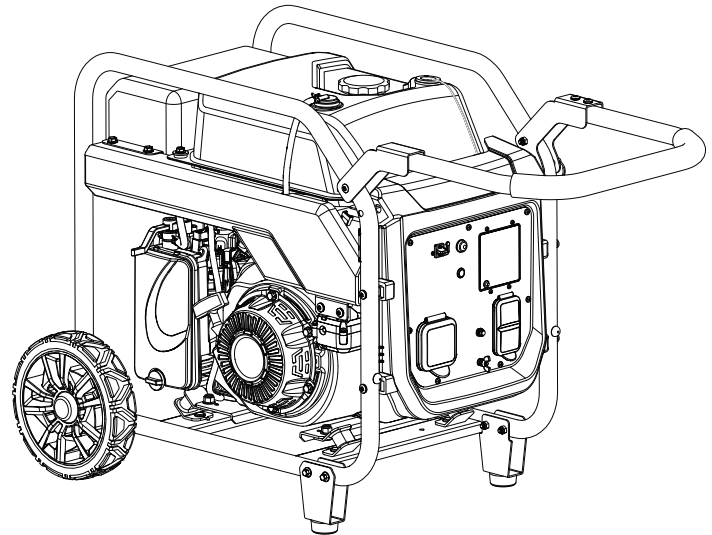
Manual del operador

## Digital Inverter Generator with Bluetooth®

Génératrice numérique d'inverseur  
avec Bluetooth®

Generador del inversor de digitales  
con Bluetooth®

### EGi-4000



### Neutral Floating

Flottante neutre / Neutral de flotación

#### NOTICE

#### AVIS

#### AVISO

Do not use E15 or E85 fuel in this product. It is a violation of federal law and will damage the unit and void your warranty. Only use unleaded gasoline containing up to 10% ethanol.



Ne pas utiliser d'essence E15 ou E85 dans ce produit. Une telle utilisation représente une violation de la loi fédérale et endommagera l'appareil et annulera la garantie. Utiliser seulement de l'essence sans plomb ne contenant pas plus de 10 % d'éthanol.

No utilice combustibles E15 o E85 con este producto. Esto constituye una violación a la ley federal, dañará la unidad y anulará la garantía. Use únicamente gasolina sin plomo con un contenido de hasta 10 % de etanol.

CALIFORNIA PROPOSITION 65  
PROPOSITION 65 DE L'ÉTAT DE CALIFORNIE  
CALIFORNIA - PROPUESTA DE LEY NÚM. 65

- WARNING:** Cancer and Reproductive Harm – [www.P65Warnings.ca.gov](http://www.P65Warnings.ca.gov)
- AVERTISSEMENT:** Cancer et dommages à la reproduction – [www.P65Warnings.ca.gov](http://www.P65Warnings.ca.gov)
- ADVERTENCIA:** Cáncer y daño reproductivo – [www.P65Warnings.ca.gov](http://www.P65Warnings.ca.gov)

Your generator has been engineered and manufactured to our high standard for dependability, ease of operation, and operator safety. When properly cared for, it will give you years of rugged, trouble-free performance.

**WARNING** To reduce the risk of injury, the user must read and understand the Operator's Manual before using this product.

Thank you for your purchase.

## SAVE THIS MANUAL FOR FUTURE REFERENCE

Ce génératrice a été conçue et fabriquée conformément à nos strictes normes de fiabilité, simplicité d'emploi et sécurité d'utilisation. Correctement entretenue, elle vous donnera des années de fonctionnement robuste et sans problème.

**AVERTISSEMENT** Pour réduire les risques de blessures, l'utilisateur doit lire et veiller à bien comprendre le manuel d'utilisation avant d'employer ce produit.

Merci de votre achat.

**CONSERVER CE MANUEL  
POUR FUTURE RÉFÉRENCE**

99922205402 (TTI#995000879)

8-28-19 (REV:02)

Su generador ha sido diseñada y fabricada de conformidad con las estrictas normas para brindar fiabilidad, facilidad de uso y seguridad para el operador. Con el debido cuidado, le brindará muchos años de sólido y eficiente funcionamiento.

**ADVERTENCIA** Para reducir el riesgo de lesiones, el usuario debe leer y comprender el manual del operador antes de usar este producto.

Le agradecemos su compra.

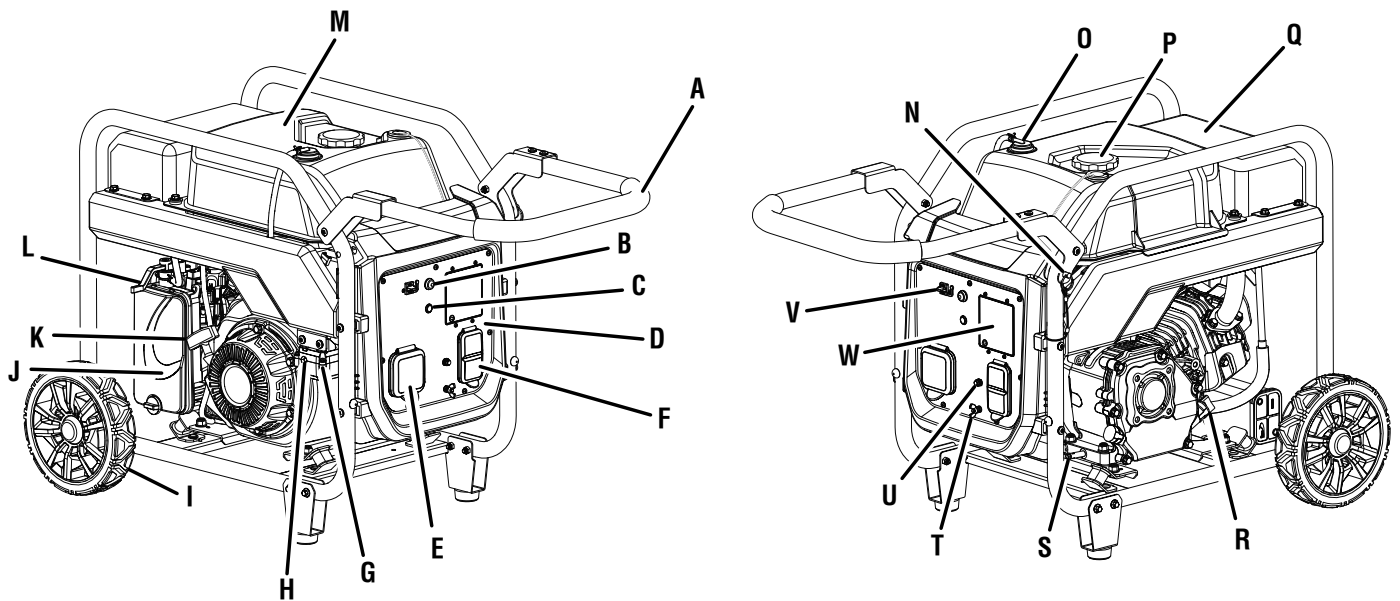
**GUARDE ESTE MANUAL  
PARA FUTURAS CONSULTAS**

**See this fold-out section for all of the figures referenced in the operator's manual.**

**Consulter l'encart à volets afin d'examiner toutes les figures mentionnées dans le manuel d'utilisation.**

**Consulte esta sección desplegable para ver todas las figuras a las que se hace referencia en el manual del operador.**

**Fig. 1**

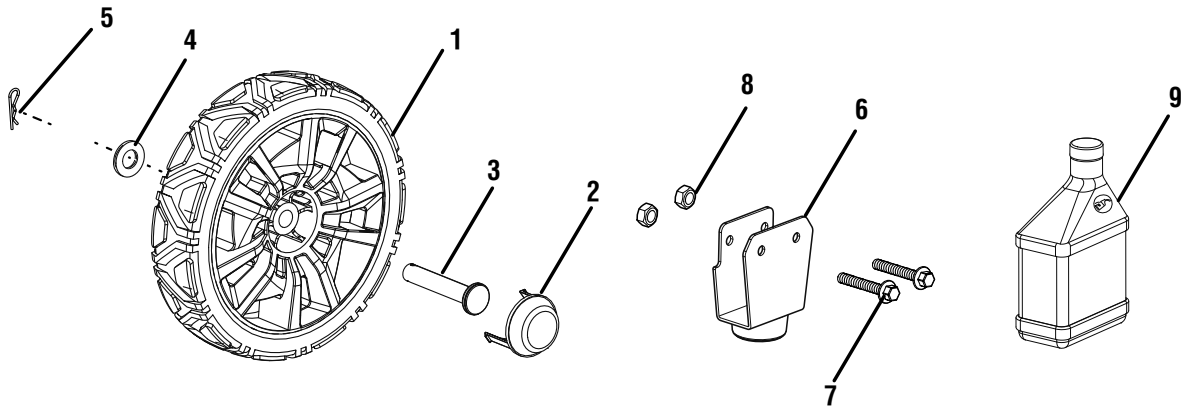


A - Folding handle (poignée repliable, mango plegable)  
 B - Auto idle on/off (ralenti automatique marche/arret, estado inactivo automático encendido-apagado)  
 C - Overload reset button (bouton de réarmement manuel, botón de restablecimiento de sobrecargas)  
 D - Control panel (panneau de commande, panel de control)  
 E - 120 volt AC, 30 amp RV receptacle (prise RV de 120 volt c.a. 30 A; receptáculo RV de 120 V de ca 30 A)  
 F - 120 volt AC 20 Amp receptacles (prises 120 V c.a. 20 A, 120 V de ca 20 A receptáculos)  
 G - Carbon monoxide (CO) sensor [capteur de monoxyde de carbone (CO), sensor de monóxido de carbono (CO)]

H - CO sensor LED indicator (voyant DEL du capteur CO, indicador LED del sensor de CO)  
 I - Wheel (roue, rueda)  
 J - Air filter cover (couvercle du filtre à air, tapa del filtro de aire)  
 K - Starter grip and rope (poignée du lanceur et corde, mango del arrancador y cuerda)  
 L - On/off/choke lever (levier marche / arrêt / étrangleur, palanca de encendido/apagado/anegador)  
 M - Fuel tank (réservoir de carburant, tanque de combustible)  
 N - Handle lock pin (goupille de blocage de la poignée, pasador de seguro del mango)  
 O - Fuel tank rollover valve (clapet antiretour du réservoir de carburant, válvula antirretorno del tanque de combustible)

P - Fuel cap (bouchon de carburant, tapa del combustible)  
 Q - Muffler heat shield (écran de chaleur de silencieux, pantalla térmica del silenciador)  
 R - Oil cap/dipstick (bouchon/jauge d'huile, tapa de relleno de aceite/varilla medidora de aceite)  
 S - Oil drain plug (huiler le bouchon d'égout, tapón de drenaje del aceite)  
 T - Ground terminal (borne de terre, terminal de conexión a tierra)  
 U - AC 20 A circuit breaker (disjoncteur de c.a. alternatif 20 A; disyuntor de circuito de c.a. 20 A)  
 V - USB ports (port USB, puerto USB)  
 W - ECHO COMMAND™ display (affichage ECHO COMMAND™, pantalla ECHO COMMAND™)

**Fig. 2**

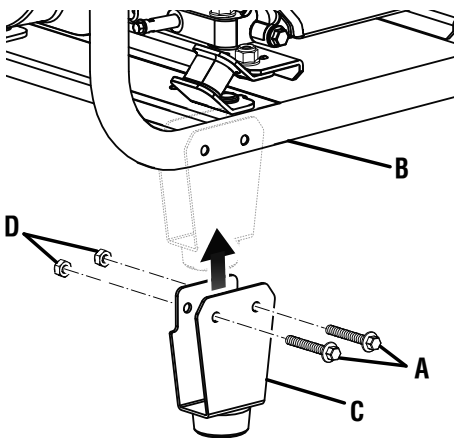


**Fig. 3**



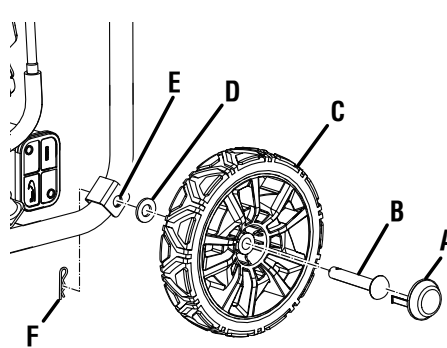
- A - Socket wrench (clé à douille, llave de casquillo)
- B - Combination wrench (clé à molette, llave de combinación)

**Fig. 4**



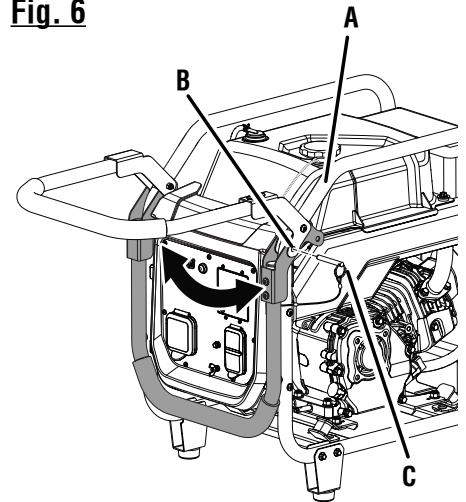
- A - Bolts (boulons, pernos)
- B - Frame (cadre, armazón)
- C - Foot bracket (support de pied, soporte del pie)
- D - Lock nut (écrou frein, tuerca de bloqueo)

**Fig. 5**



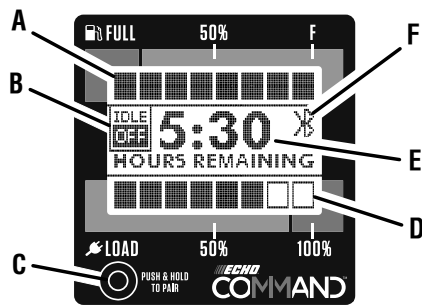
- A - Wheel hub cover (couverture de roue, cubierta de la rueda)
- B - Axle (essieu, eje)
- C - Wheel (roué, rueda)
- D - Washer (rondelle, arandela)
- E - Mounting hole (trou de montage, agujero de montaje)
- F - Hitch pin (goupilles en épingle à cheveux, chaveta)

**Fig. 6**



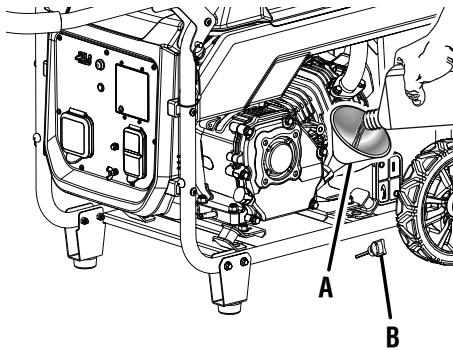
- A - Frame (cadre, armazón)
- B - Hole (trou, agujero)
- C - Pin (pin, pin)

**Fig. 7**



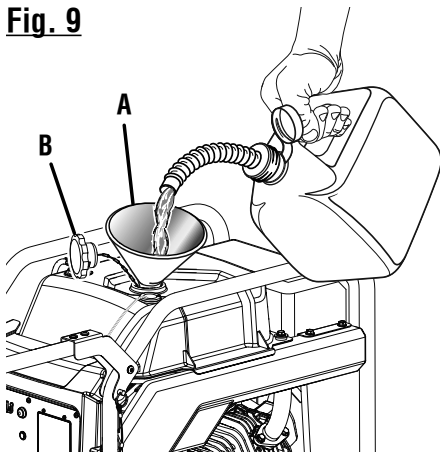
- A - Fuel level indicator (indicateur du niveau de carburant, indicador de nivel de combustible)
- B - Auto idle indicator (indicateur de ralenti automatique, indicador de estado inactivo automático)
- C - **Bluetooth**® pairing button (bouton de jumelage **Bluetooth**®, botón de conexión **Bluetooth**®)
- D - Load level indicator (indicateur du niveau de charge, indicador de nivel de carga)
- E - Run time remaining (temps de fonctionnement restant, tiempo restante de funcionamiento)
- F - **Bluetooth**® connection indicator (indicateur de connexion **Bluetooth**®, indicador de conexión **Bluetooth**®)

**Fig. 8**



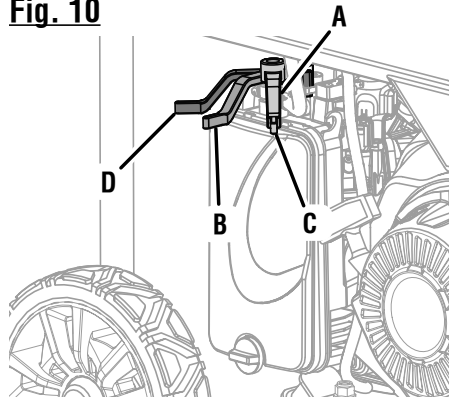
- A - Funnel (entonnoir, embudo)
- B - Oil cap/dipstick (bouchon/jauge d'huile, tapa de relleno de aceite/varilla medidora de aceite)

**Fig. 9**



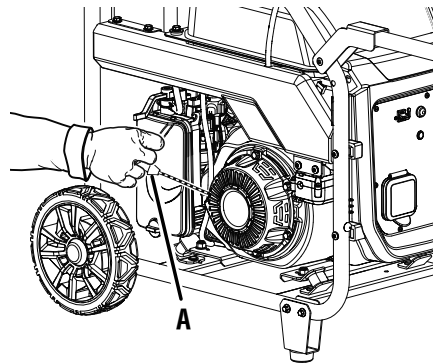
- A - Funnel (entonnoir, embudo)
- B - Fuel cap (bouchon du réservoir, tapa del tanque de combustible)

**Fig. 10**



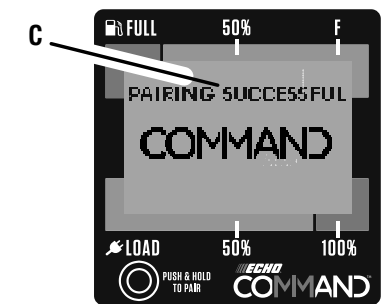
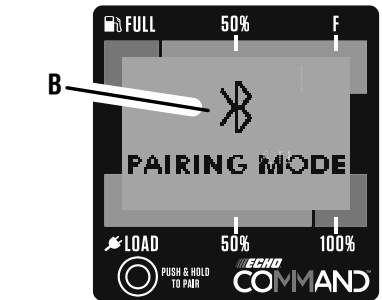
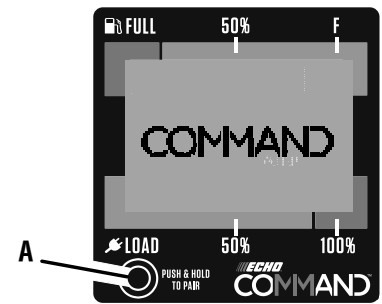
- A - On/off/choke lever (levier marche / arrêt / étrangleur, palanca de encendido/apagado/anegador)
- B - START (DÉMARRAGE, ARRANQUE)
- C - RUN (MARCHÉ, MARCHA)
- D - OFF (ARRÊT, APAGADO)

**Fig. 11**



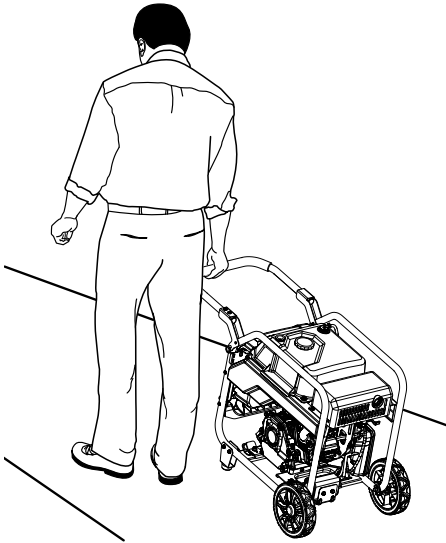
- A - Starter grip and rope (poignée du lanceur et corde, mango del arrancador y cuerda)

**Fig. 12**

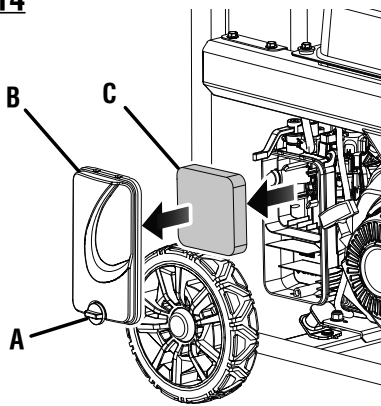


- A - **Bluetooth**® pairing button (bouton de jumelage **Bluetooth**®, botón de conexión **Bluetooth**®)
- B - Pairing mode (mode jumelage, modo de conexión)
- C - Pairing successful (jumelage réussi, conexión correcta)

**Fig. 13**

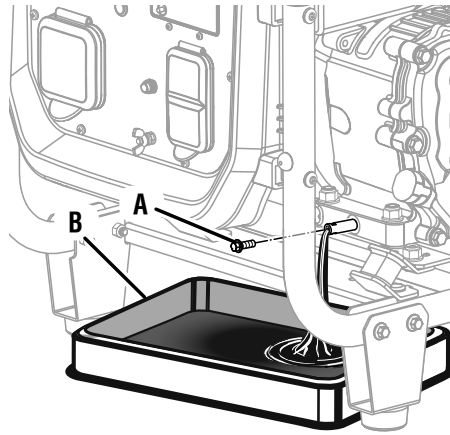


**Fig. 14**



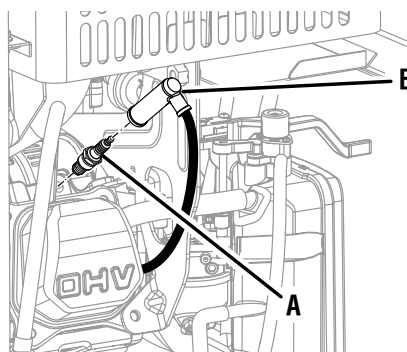
- A - Knob (bouton, perilla)
- B - Air filter cover (couvercle du filtre à air, tapa del filtro de aire)
- C - Air filter (filtre à air, filtro de aire)

**Fig. 15**



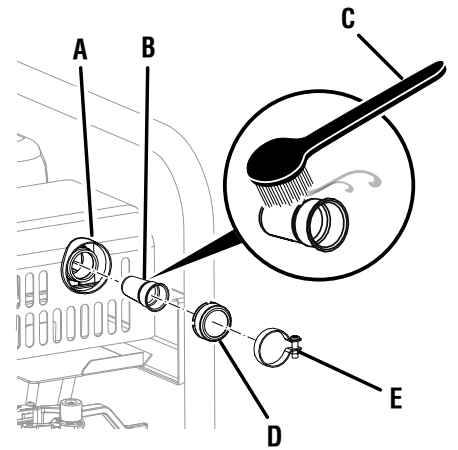
- A - Oil drain plug (huiler le bouchon d'égout, tapón de drenaje del aceite)
- B - Container (conteneur, recipiente)

**Fig. 16**



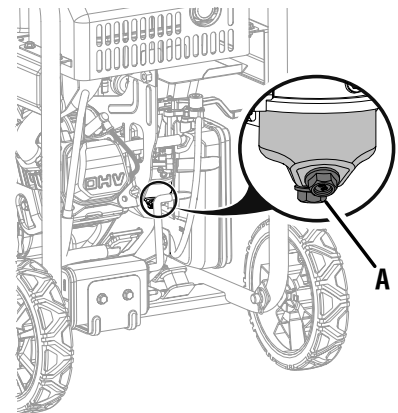
- A - Spark plug (bougie, bujía)
- B - Spark plug cap (capuchon de bougie, tapa de la bujía)

**Fig. 17**



- A - Muffler outlet (sortie de silencieux, salida del silenciador)
- B - Spark arrester (pare-étincelles, parachispas)
- C - Wire brush (balai de roue, cepillo de alambre)
- D - Cap (capuchon, tapa)
- E - Clamp (agrafe, capuchon)

**Fig. 18**



- A - Carburetor drain screw (vis de vidange du carburateur, tornillo de drenaje del carburador)

# TABLE OF CONTENTS

## TABLE DES MATIÈRES / ÍNDICE DE CONTENIDO

---

■ Product Registration.....	2
Enregistrement du produit / Registro del producto .....	
■ Important Safety Instructions .....	4
Instructions importantes concernant la sécurité / Instrucciones de seguridad importantes .....	4-5
■ Specific Safety Rules.....	5
Règles de sécurité particulières / Reglas de seguridad específicas .....	5-6
■ Symbols.....	6-8
Symboles / Símbolos.....	7-9
■ Electrical .....	7-9
Caractéristiques électriques / Aspectos eléctricos .....	10-11
■ Features.....	11-12
Caractéristiques / Características.....	12-13
■ Assembly .....	12-13
Assemblage / Armado .....	13-14
■ Operation.....	13-16
Utilisation / Funcionamiento .....	14-17
■ Maintenance.....	17-20
Entretien / Mantenimiento.....	18-21
■ Troubleshooting .....	21
Dépannage / Corrección de problemas.....	22
■ Warranty .....	22
Garantie / Garantía.....	23
■ Parts Ordering and Service .....	Back Page
Commande de pièces et réparation / Pedidos de piezas y servicio .....	Page arrière / Pág. posterior

## PRODUCT REGISTRATION

### ENREGISTREMENT DU PRODUIT / REGISTRO DEL PRODUCTO

---

#### Thank you for choosing ECHO Power Equipment

Please go to <http://www.echo-usa.com/Warranty/Register-Your-ECHO> to register your new product online. It's **FAST** and **EASY!**

**NOTE:** Your information will never be sold or misused by ECHO Incorporated. Registering your purchase enables us to contact you in the unlikely event of a service update or product recall, and verifies your ownership for warranty consideration.

\* \* \*

#### Merci d'avoir choisi ECHO Power Equipment

S'il vous plaît allez sur (<http://www.echo-usa.com/Warranty/Register-Your-ECHO> afin d'enregistrer vos unités neuves en ligne. C'est **rapide** et **facile!**

**NOTE :** Vos informations ne seront jamais vendues ou utilisées inadéquatement par ECHO Incorporated. L'enregistrement des unités nous permet de vous contacter dans l'éventualité improbable d'un rappel ou d'une mise à niveau technique ainsi que certifier que vous en êtes le propriétaire en cas de besoin d'une réparation sous garantie.

\* \* \*

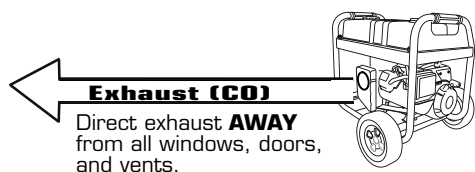
#### Gracias por elegir ECHO Power Equipment

Por favor, ingrese a sitio web <http://www.echo-usa.com/Warranty/Register-Your-ECHO> para registrar su nuevo producto en línea. Es **RAPIDO** y **FACIL!**

**NOTA:** Su información nunca será vendida o mal utilizada por ECHO, Incorporated. El registro de su compra nos permite comunicarnos con usted en el caso de una actualización de servicio, o el retiro del producto del mercado, y verificar la propiedad de su producto para consideraciones de garantía.

## LOCATE GENERATOR AT LEAST 20 FT. (6 M)\* AWAY TO REDUCE THE RISK OF CARBON MONOXIDE GETTING INSIDE THE HOME

\* Minimum distance as recommended by U.S. Department of Health and Human Services Centers for Disease Control and Prevention ([www.cdc.gov/co](http://www.cdc.gov/co)). Your specific home and/or wind conditions may require additional distance.



**KEEP AT LEAST 20 FT. (6 M)\* AWAY**  
Only use **OUTSIDE** and **FAR AWAY** from windows, doors, and vents.



### **⚠ WARNING**

#### Grounding the Generator

If this generator will be used only with cord and plug-connected equipment, National Electric Code does not require that the unit be grounded. However, other methods of using the generator may require grounding to reduce the risk of shock or electrocution. Consult a qualified electrician, electrical inspector, or local agency having jurisdiction for local codes or ordinances to find out if grounding is needed in your situation before using the generator.

When grounding is required, the nut and ground terminal on the frame are used to connect the generator to a suitable ground source. The ground path should be made with #8 size wire. Connect the terminal of the ground wire between the lock washer and the nut, and tighten the nut fully. Connect the other end of the wire securely to a suitable ground source that is in contact with the soil for a minimum distance of 8 ft. (2.4 m).

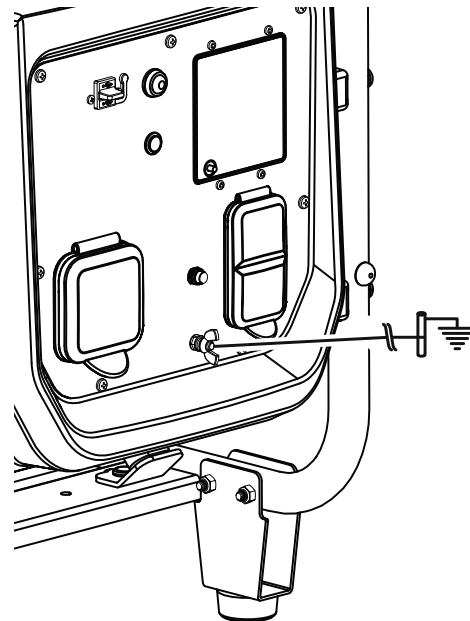
The National Electric Code contains several practical ways in which to establish a good ground source. If a steel or iron rod is used, it should be at least 5/8 in. (15.9 mm) diameter, and if a nonferrous rod is used, it should be at least 1/2 in. (13 mm) diameter and be listed as material for grounding. If a rock bottom is encountered before reaching a depth of 8 ft. (2.4 m), drive the ground rod in at an angle of up to 45°. If the rock bottom is again encountered, the rod can be buried in a trench that is at least 30 in. (75 cm) deep. In all cases, the upper end of the grounding rod should either be flush with (or below) the ground or must be otherwise protected from physical damage.

All electrical tools and appliances operated from this generator must be properly grounded by use of a third wire or be "Double Insulated."

It is recommended to:

1. Use electrical devices with 3-prong grounded plugs.
2. Use an extension cord intended for outdoor use with a 3-pole receptacle and a 3-prong plug at opposite ends to ensure continuity of the ground protection from the generator to the appliance.

Check and adhere to all applicable federal, state, and local regulations relating to grounding specifications. Consult a qualified electrician or service personnel if the grounding instructions are not completely understood or if in doubt as to whether the generator is properly grounded.



#### Bluetooth® License Statement

The Bluetooth® word mark and logos are registered trademarks owned by Bluetooth SIG, Inc. and any use of such marks by TPTTL is under license. Other trademarks and trade names are those of their respective owners.

# IMPORTANT SAFETY INSTRUCTIONS

## DANGER

**Carbon Monoxide. Using a generator indoors CAN KILL YOU IN MINUTES.**

**Generator exhaust contains high levels of carbon monoxide (CO), a poisonous gas you cannot see or smell. If you can smell the generator exhaust, you are breathing CO. But even if you cannot smell the exhaust, you could be breathing CO.**

- **Never use a generator inside homes, garages, crawl-spaces, or other partly enclosed areas. Deadly levels of carbon monoxide can build up in these areas. Using a fan or opening windows and doors does NOT supply enough fresh air.**
- **ONLY use a generator outdoors and far away from open windows, doors, and vents. These openings can pull in generator exhaust.**

**Even when you use a generator correctly, CO may leak into the home. ALWAYS use a battery-powered or battery-backup CO alarm in the home.**

**If you start to feel sick, dizzy, or weak after the generator has been running, move to fresh air RIGHT AWAY. See a doctor. You could have carbon monoxide poisoning.**

## WARNING

**Read and understand all instructions. Failure to follow all instructions listed below could result in electrocution, fire, and/or carbon monoxide poisoning, which can cause death or serious injury.**

## WARNING

**In some applications, National Electric Code requires generator to be grounded to an approved earth ground. Before using the ground terminal, consult a qualified electrician, electrical inspector, or local agency having jurisdiction for local codes or ordinances that apply to the intended use of the generator.**

## Save These Instructions

This manual contains important instructions for this product that should be followed during installation and maintenance of the generator.

- Do not connect to a building's electrical system unless the generator and transfer switch have been properly installed and the electrical output has been verified by a qualified electrician. The connection must isolate the generator power from utility power and must comply with all applicable laws and electrical codes.
- Do not allow children or untrained individuals to use this unit.
- Do not start or operate the engine in a confined space, building, near open windows, or in other unventilated space where dangerous carbon monoxide fumes can collect. Carbon monoxide, a colorless, odorless, and extremely dangerous gas, can cause unconsciousness or death.

- Keep all bystanders, children, and pets at least 10 feet (3 m) away.
- Wear sturdy and dry shoes or boots. Do not operate while barefoot.
- Do not operate generator when you are tired or under the influence of drugs, alcohol, or medication.
- Keep all parts of your body away from any moving parts and all hot surfaces of the unit.
- Do not touch bare wire or receptacles.
- Do not use generator with electrical cords which are worn, frayed, bare, or otherwise damaged.
- Before storing, allow the engine to cool for 30 minutes and drain fuel from the unit.
- Do not operate or store the generator in rain, snow, or wet weather.
- Store the generator in a well-ventilated area with the fuel tank empty. Fuel should not be stored near the generator.
- Empty fuel tank, turn fuel valve to the off position and restrain the unit from moving before transporting in a vehicle.
- Provide a plastic sheet or absorbent pad below the generator to catch any drips of fuel or lubricant when transporting.
- To reduce the risk of fire and burn injury, handle fuel with care. It is highly flammable.
- Do not smoke while handling fuel.
- Store fuel in a container approved for gasoline.
- Position the unit on level ground, stop engine, and allow to cool for 5 minutes before refueling.
- Loosen fuel cap slowly to release pressure and to keep fuel from escaping around the cap.
- Tighten the fuel cap securely after refueling.
- Wipe spilled fuel from the unit.
- Never attempt to burn off spilled fuel under any circumstances.
- Generators vibrate in normal use. During and after the use of the generator, inspect the generator as well as extension cords and power supply cords connected to it for damage resulting from vibration. Have damaged items repaired or replaced as necessary. Do not use plugs or cords that show signs of damage such as broken or cracked insulation or damaged blades.
- For power outages, permanently installed stationary generators are better suited for providing back-up power to the home. Even a properly connected portable generator can become overloaded. This may result in overheating or stressing the generator components, possibly leading to generator failure.
- Use only recommended or equivalent replacement parts and accessories and follow instructions in the *Maintenance* section of this manual. Use of any other parts or failure to follow maintenance instructions may create a risk of shock or injury.
- Maintain the unit per maintenance instructions in this Operator's Manual.
- Inspect the unit before each use for loose fasteners, fuel leaks, etc. Replace damaged parts.



# SPECIFIC SAFETY RULES

## DANGER

**Risk of fire and serious burns: *Never remove fuel cap when unit is running. Shut off engine and allow the unit to cool at least five minutes. Remove cap slowly.***




## WARNING

**When this generator is used to supply a building wiring system: *generator must be installed by a qualified electrician and connected to a transfer switch as a separately derived system in accordance with NFPA 70, National Electrical Code. The generator shall be connected through a transfer switch that switches all conductors other than the equipment grounding conductor. The frame of the generator shall be connected to an approved grounding electrode. Failure to isolate the generator from power utility can result in death or injury to electric utility workers.***










- Do not use this generator to provide power for emergency medical equipment or life support devices.
- This generator has a neutral floating condition. This means the neutral conductor is not electrically connected to the frame of the machine.
- Always use a battery-powered carbon monoxide detector when running the generator. If you begin to feel sick, dizzy, or weak while using the generator, shut it off and get to fresh air immediately. See a doctor. You may have carbon monoxide poisoning.
- Place the generator on a flat, stable surface with a slope of no more than 4°.
- Operate outdoors in a well-ventilated, well-lit area isolated from working areas to avoid noise interference.
- Operating the generator in wet conditions could result in electrocution. Keep the unit dry.
- Keep the generator a minimum of 3 feet (1 m) away from all types of combustible material.
- Do not operate generator near hazardous material.
- Do not operate generator at a gas or natural gas filling station.
- Do not touch the muffler or cylinder during or immediately after use; they are HOT and will cause burn injury.
- Do not allow the generator's gas tank to overflow when filling. Fill to 1 in. (25.4 mm) below the top neck of the gasoline tank to allow for fuel expansion. Do not cover the fuel tank cap when the engine is running. Covering the fuel tank cap during use may cause engine failure and/or damage to the tool.
- Do not smoke when filling the generator with gasoline.
- Shut down the engine and allow to cool for 5 minutes before adding gasoline or lubricant to the generator.
- Do not remove the oil dipstick or the fuel tank cap when the engine is running.
- Pay close attention to all safety labels located on the generator.
- Keep children a minimum of 10 feet (3 m) away from the generator at all times.
- The unit operates best in temperatures between 23°F (-5°C) and 104°F (40°C) with a relative humidity of 90% or less.
- Operating voltage and frequency requirement of all electronic equipment should be checked prior to plugging them into this generator. Damage may result if the equipment is not designed to operate within a +/-10% voltage variation, and +/-3 hz frequency variation from the generator name plate ratings.
- For outdoor use only.
- NEVER ignore an automatic shutoff event. IF AUTOMATIC SHUTOFF OCCURS – YOU MUST leave the area immediately and relocate to an open outdoor area. Ventilate the area thoroughly before occupying again. Ensure the generator is located in an open, outdoor area at least 20 feet (6 m) away from all doors, windows, and occupied spaces. Always point exhaust away from occupied structures. Never run the generator in enclosed areas (e.g. not in a house or garage). Failure to follow these instructions can lead to carbon monoxide (CO) poisoning which can result in death or serious injury.
- The carbon monoxide sensor on this generator is not designed to detect smoke, fire, or any other gas. It will only activate due to the presence of carbon monoxide gas at the sensor. Carbon monoxide gas may be present in other areas.
- The carbon monoxide shutoff feature on this generator is not a substitute for safe generator practices. Always operate the generator in open, outdoor areas, at least 20 feet (6 m) away from occupied structures. Never operate the generator in fully or partly enclosed areas or near open windows, doors, or other unventilated spaces.
- DO NOT tamper with, adjust, or modify the carbon monoxide (CO) sensor module on your generator. Failure to follow these instructions can cause the monitor to malfunction which can result in death or serious personal injury.
- Save these instructions. Refer to them frequently and use them to instruct others who may use this product. If you loan someone this product, loan them these instructions also.

# SYMBOLS

The following signal words and meanings are intended to explain the levels of risk associated with this product.

Symbol	Signal	Meaning
	<b>DANGER</b>	Indicates a hazardous situation, which, if not avoided, will result in death or serious injury.
	<b>WARNING</b>	Indicates a hazardous situation, which, if not avoided, could result in death or serious injury.
	<b>CAUTION</b>	Indicates a hazardous situation, that, if not avoided, may result in minor or moderate injury.
	<b>NOTICE</b>	(Without Safety Alert Symbol) Indicates information considered important, but not related to a potential injury (e.g. messages relating to property damage).

Some of the following symbols may be used on this product. Please study them and learn their meaning for safe operation of this product.

Symbol	Name	Designation/Explanation
	Safety Alert	Indicates a potential personal injury hazard.
	Read Operator's Manual	To reduce the risk of injury, user must read and understand operator's manual before using this product.
	Wet Conditions Alert	Do not expose to rain or use in damp locations.
	Electric Shock	Failure to use in dry conditions and to observe safe practices can result in electric shock.
	Toxic Fumes	Running generator gives off carbon monoxide, an odorless, colorless, poison gas. Breathing carbon monoxide can cause nausea, fainting, or death.
	Fire/Explosion	Fuel and its vapors are extremely flammable and explosive. Fire or explosion can cause severe burns or death.
	Hot Surface and Exhaust Gases	To reduce the risk of injury or damage, avoid contact with any hot surface and do not place any body parts in the path of hot exhaust gases.
	Lifting Hazard	To reduce the risk of serious injury, avoid attempting to lift the generator alone.
	Ground	Consult with local electrician to determine grounding requirements before operation.
V	Volts	Voltage
A	Amperes	Current
Hz	Hertz	Frequency (cycles per second)
W	Watt	Power
hrs	Hours	Time
gal	Gallon	Volume
qt	Quart	Volume

# SYMBOLS

## Safety Labels

The information below can be found on the generator. For your safety, please study and understand all of the labels before starting the generator.

If any of the labels come off the unit or become hard to read, contact customer service or an authorized dealer for replacement.

- You **WILL** be **KILLED** or **SERIOUSLY HURT** if you do not follow the Operator's Manual instructions.
- Risk of Fire. Do not add fuel while the product is operating.
- Generator is a potential source of electric shock. Do not expose to moisture, rain, or snow. Do not operate with wet hands or feet.
- Exhaust contains poisonous carbon monoxide gas that can cause unconsciousness or **DEATH**. Operate in well-ventilated, outdoor areas away from open windows or doors.
- Do not expose to rain or use in damp locations.
- Using a generator indoors **CAN KILL YOU IN MINUTES**. Generator exhaust contains carbon monoxide. This is a poison you cannot see or smell.
- **NEVER** use inside a home or garage, **EVEN IF** doors and windows are open.
- Only use **OUTSIDE** and far away from windows, doors, and vents.

<b>⚠ DANGER</b>	<b>⚠ DANGER</b>
Using a generator indoors <b>CAN KILL YOU IN MINUTES</b> . Generator exhaust contains carbon monoxide. This is a poison you cannot see or smell.	L'utilisation d'une génératrice à l'intérieur <b>PEUT VOUS TUER EN QUELQUES MINUTES</b> . Les génératrices produisent du monoxyde de carbone, un gaz mortel incolore et inodore. <b>NE JAMAIS</b> utiliser à l'intérieur d'une maison ou d'un garage. <b>MÊME</b> si les portes et les fenêtres sont ouvertes. Utiliser uniquement à l'EXTÉRIEUR et loin des fenêtres, des portes et des vents.
<b>NEVER</b> use inside a home or garage, <b>EVEN IF</b> doors and windows are open.	<b>⚠ PELIGRO</b>
Only use <b>OUTSIDE</b> and far away from windows, doors, and vents.	Usar un generador en el interior <b>PUEDA MATARLO EN POCOS MINUTOS</b> . Los gases de escape del generador contienen monóxido de carbono. Es un veneno que no puede verse ni olerse. <b>NUNCA</b> lo use dentro de su hogar o del garaje, <b>INCLUSO</b> con las puertas y las ventanas abiertas. Solo utilícelo <b>AL AIRE LIBRE</b> y lejos de ventanas, puertas y respiraderos.

**⚠ DANGER ⚠ DANGER ⚠ PELIGRO**

You **WILL** be **KILLED** or **SERIOUSLY HURT** if you do not follow the Operator's Manual instructions.  
Ne pas procéder de la manière décrite dans ce Manuel d'utilisation entraînera des **BLESSURES GRAVES** voire la **MORT**.  
**SE MATARÁ o LESIONARÁ GRAVEMENTE** si no sigue las instrucciones del Manual del operador.

**Risk of fire.** Do not add fuel while the product is operating.  
Risque d'incendie. Ne pas ajouter de carburant pendant l'utilisation de l'appareil.  
Riesgo del incendio. No agregue combustible cuando el producto esté funcionando.

Do not expose to rain or use in damp locations.  
Ne pas exposer à la pluie ou l'humidité.  
No exponga a la lluvia ni use en lugares húmedos.

Generator is a potential source of electric shock. Do not operate with wet hands or feet.  
Le générateur est une source potentielle de chocs électriques. Ne pas exposer à l'humidité, la pluie ou la neige. Ne pas utiliser avec les mains ou les pieds mouillés.  
El generador es una fuente de descarga eléctrica. No lo exponga a humedad, la lluvia, ni a la nieve. No opere con manos o pies húmedos.

Exhaust contains poisonous carbon monoxide gas that can cause unconsciousness or **DEATH**. Operate in well ventilated, outdoor areas away from open windows or doors.  
L'échappement contient le gaz monoxyde de carbone toxique qui peut causer l'inconscience ou la **MORT**. Fonctionner dans les secteurs bien ventilés et extérieurs loin d'ouvrés des fenêtres ou des portes.  
El escape contiene gas venenoso de monóxido de carbono que puede causar pérdida del conocimiento o **MUERTE**. Opere en áreas exteriores bien ventiladas lejos de puertas o ventanas abiertas.

## Carbon Monoxide (CO) Sensor

In the event of a carbon monoxide hazard, the LED on the CO sensor will flash red and the generator will shut off. Leave the area immediately and relocate to an open outdoor area. Ventilate the area thoroughly before occupying again. Ensure the generator is located in an open, outdoor area at least 20 feet (6 m) away from all doors, windows, and occupied spaces. Always point exhaust away from occupied structures. Never run the generator in enclosed areas (e.g. not in a house or garage).

**DO NOT** tamper with, adjust, or modify the carbon monoxide (CO) sensor module on your generator.

<b>IF AUTOMATIC SHUTOFF OCCURS - YOU MUST:</b>	<b>⚠ WARNING ⚠ AVERTISSEMENT ⚠ ADVERTENCIA</b>	<b>SI OCURRE EL CIERRE AUTOMÁTICO DEBE:</b>
Leave the area immediately and relocate to an open, outdoor area. Ventilate the area thoroughly before occupying again. Ensure the generator is located in an open, outdoor area at least 20 feet away from all doors, windows and occupied spaces. Always point exhaust away from occupied structures. Never run generator in enclosed areas (e.g. not in house or garage). Follow the label instructions on level of carbon monoxide (CO) poisoning which can result in death or serious injury.	Quitter immédiatement la zone et vous rendre dans un lieu extérieur en plein air. Bien ventiler la zone avant d'occuper les lieux de nouveau. S'assurer que la génératrice est située dans un lieu extérieur en plein air, au moins 6 m (20 pi) des portes, fenêtres et espaces occupés. Toujours diriger l'échappement à l'écart des structures occupées. Jamais faire fonctionner la génératrice dans des espaces fermés par exemple dans une maison ou un garage. Le défaut de suivre ces instructions peut causer un empoisonnement de monoxyde de carbone (CO) qui peut entraîner la MORT et des BLESSURES GRAVES.	Abandonar el área de inmediato y irse a un lugar al aire libre. Ventilar bien el área antes de volver a ocuparla. Asegurarse de que el generador se encuentre a una distancia de, al menos, 6 m (20 pies) de puertas, ventanas y espacios ocupados. Siempre dirigir el escape hacia fuera de estructuras ocupadas. Nunca haga funcionar el generador en áreas cerradas (p.ej. en una casa o un garaje). Si no sigue estas instrucciones, podrá sufrir un empoisonamiento de monóxido de carbono (CO), lo que puede resultar en la MUERTE o en LESIONES GRAVES.
<b>IF YOU FEEL SICK, DIZZY OR WEAK, SEEK MEDICAL HELP IMMEDIATELY.</b>	<b>SI VOUS VOUS SENTEZ MALADE, ÉTOURDI OU AFFAIBLI, CONSULTEZ UN MÉDECIN IMMÉDIATEMENT.</b>	<b>SI SE SIENTE ENFERMO, MARCADO O DEBIL, BUSQUE ASISTENCIA MÉDICA DE INMEDIATO.</b>

## Fuel Warning

No smoking when filling with gasoline. Do not overfill. Full level is 1 in. (25.4 mm) below the top of the fuel neck. Stop the engine for five minutes before refueling to avoid the heat from the muffler igniting fuel vapors.

**⚠ DANGER ⚠ DANGER ⚠ PELIGRO**

**Risk of Fire. Check for any fuel overflow or leaking. Stop the engine before refueling.**  
Risque d'incendie. Vérifier l'absence de débordement ou de fuite de carburant. Arrêter le moteur avant de faire le plein.  
Riesgo de incendio. Revise si hay algún derrame o fuga de combustible. Apague el motor antes de poner combustible.

940974007-06

## Engine Lubricant Warning

You must add lubricant before first operating the generator. Always check the lubricant level before each operation. The lubricant level should always register between the hatched areas on the dipstick. The unit is equipped with a sensor which will automatically shut off the engine if the lubricant level falls below a safe limit.

<b>NOTICE AVIS AVISO</b>	<b>CHECK LUBRICANT</b>
Add lubricant to full mark to start. Engine will not start or will shut off if sensor detects low lubricant level. • Ajouter de lubrifiant jusqu'au repère de remplissage pour démarrer. Le moteur ne démarre pas ou s'arrête si le capteur détecte le niveau de lubrifiant faible. • Añadir lubricante hasta la marca de lleno para arrancar. El motor no arranca o se apaga si sensor detecta el nivel de lubricante de baja.	

## Grounding Warning

This generator does not include a ground rod or copper wire. Call a qualified electrician for local grounding requirements.

**⚠ WARNING ⚠ AVERTISSEMENT ⚠ ADVERTENCIA**

**Product does not include ground rod or copper wire. Call a qualified electrician for local grounding requirements.**  
Le produit ne comprend pas de piquet de terre ou de fil en cuivre. Appeler un électricien qualifié pour connaître les exigences locales de mise à la terre.  
El producto no incluye el estalambre de cobre ni la barra de conexión a tierra. Comuníquese con un electricista calificado para todo lo relacionado con los requisitos de conexión a tierra.

940513030-02

# SYMBOLS

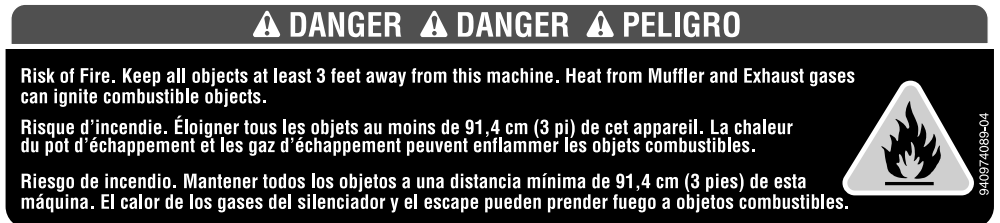
## Hot Surface Warning

Do not touch the muffler or aluminum cylinder of the engine. They are very HOT and will cause severe burns. Don't put body parts or any flammable or combustible materials in the direct path of the exhaust.



## Clearance Warning

While operating and storing, keep at least 3 feet (91.4 cm) of clearance on all sides of this product, including overhead. Allow a minimum of 30 minutes of “cool down” time before storage. Heat created by muffler and exhaust gases could be hot enough to cause serious burns and/or ignite combustible objects.



## Spark Arrestor

Operation of this equipment may create sparks that can start fires around dry vegetation. A spark arrestor may be required. The operator should contact local fire agencies for laws or regulations relating to fire prevention requirements.



## Fuel Cap Warning

Never remove fuel cap when unit is running. Shut off engine and allow the unit to cool at least five minutes. Remove cap slowly to release any pressure built up in the fuel system and to avoid the heat from the muffler igniting fuel vapors.



# ELECTRICAL

## Extension Cord Cable Size

Refer to the table below to ensure the cable size of the extension cords you use are capable of carrying the required load. Inadequate size cables can cause a voltage drop, which can damage the appliance and overheat the cord.

Current in Amperes	Load in Watts		Maximum Allowable Cord Length				
	At 120V	At 240V	#8 Wire	#10 Wire	#12 Wire	#14 Wire	#16 Wire
2.5	300	600		1000 ft. (305 m)	600 ft. (183 m)	375 ft. (114 m)	250 ft. (76 m)
5	600	1200		500 ft. (152 m)	300 ft. (91 m)	200 ft. (61 m)	125 ft. (38 m)
7.5	900	1800		350 ft. (107 m)	200 ft. (61 m)	125 ft. (38 m)	100 ft. (31 m)
10	1200	2400		250 ft. (76 m)	150 ft. (46 m)	100 ft. (31 m)	50 ft. (15 m)
15	1800	3600		150 ft. (46 m)	100 ft. (31 m)	65 ft. (20 m)	
20	2400	4800	175 ft. (53 m)	125 ft. (38 m)	75 ft. (23 m)		
25	3000	6000	150 ft. (46 m)	100 ft. (31 m)			
30	3600	7200	125 ft. (38 m)	65 ft. (20 m)			
40	4800	9600	90 ft. (27 m)				

## Electric Motor Loads

It is characteristic of common electric motors in normal operation to draw up to six times their running current while starting. This table may be used to estimate the watts required to start electric motors; however, if an electric motor fails to start or reach running speed, turn off the appliance or tool immediately to avoid equipment damage. Always check the requirements of the tool or appliance being used compared to the rated output of the generator.

Motor Size (H.P.)	Running Watts	Watts Required to Start Motor		
		Universal	Capacitor	Split Phase
1/8	275	N/A	850	1200
1/6	275	600	850	2050
1/4	400	800	1050	2400
1/3	450	950	1350	2700
1/2	600	1000	1800	3600
3/4	850	1200	2600	—
1	1100	N/A	3300	—

### NOTICE

*Operating voltage and frequency requirement of all electronic equipment should be checked prior to plugging them into this generator. Damage may result if the equipment is not designed to operate within a +/- 10% voltage variation, and +/- 3 hz frequency variation from the generator name plate ratings. To avoid damage, always have an additional load plugged into the generator if solid state equipment (such as a television set) is used. A power line conditioner is recommended for some solid state applications.*

# ELECTRICAL

## Generator Capacity

Make sure the generator can supply enough continuous (running) and surge (starting) watts for the items you will power at the same time. Follow these simple steps.

1. Select the items you will power at the same time.
2. Total the continuous (running) watts of these items. This is the amount of power the generator must produce to keep the items running. See the wattage reference chart at right.
3. Estimate how many surge (starting) watts you will need. Surge wattage is the short burst of power needed to start electric motor-driven tools or appliances such as a circular saw or refrigerator. Because not all motors start at the same time, total surge watts can be estimated by adding only the item(s) with the highest additional surge watts to the total rated watts from step 2.

### Example:

Tool or Appliance	Running Watts*	Starting Watts*
Refrigerator	700	780
Portable Fan	40	120
Laptop	250	0
46 in. Flat Panel Television	190	0
Light (75 Watts)	75	0
	1255 Total Running Watts	780 Highest Starting Watts

Total Running Watts	1255
Highest Starting Watts	+ 780
<b>Total Starting Watts Needed</b>	<b>2035</b>

## Power Management

To prolong the life of the generator and attached devices, it is important to take care when adding electrical loads to the generator. There should be nothing connected to the generator outlets before starting its engine. The correct and safe way to manage generator power is to sequentially add loads as follows:

1. With nothing connected to the generator, start the engine as described later in this manual.
2. Plug in and turn on the first load, preferably the largest load you have.

3. Permit the generator output to stabilize (engine runs smoothly and attached device operates properly).
4. Plug in and turn on the next load.
5. Again, permit the generator to stabilize.
6. Repeat steps 4 and 5 for each additional load.

Never add more loads than the generator capacity. Take special care to consider surge loads in generator capacity as previously described.

### NOTICE

**Do not overload the generator's capacity. Exceeding the generator's wattage/amperage capacity may damage the generator and/or electrical devices connected to it.**

Application/Equipment	Estimated Running Watts*	Estimated Starting Watts*
<b>Emergency / Home Standby</b>		
Lights (qty. 4 x 75 W)	300	0
Refrigerator	600	780
46 in. Flat Panel Television	190	0
Satellite Receiver	250	0
Portable Fan	40	120
Heater	1300	1300
Laptop	250	0
Slow Cooker	270	0
Radio	200	0
<b>Job Site</b>		
Electric Drill – 3/8 in. (10 mm)	440	600
Quartz Halogen Work Light	1000	0
Reciprocating Saw	960	960
Circular Saw – 7-1/4 in. (184 mm)	1400	2300
Miter Saw – 10 in. (254 mm)	1800	1800
Air Compressor – 1/4 HP	970	1600
Airless Sprayer – 1/3 HP	600	1200

\*Wattages listed are approximate. Check tool or appliance for actual wattage.

# FEATURES

---

## Product Specifications

### Engine

Engine Type .....	212cc OHV
Replacement Spark Plug.....	Torch F7TC or equivalent
Lubricant Fill Volume .....	approximately 18 oz. (0.53 l)
Fuel Volume.....	3.3 gal. (12.49 l)

*\*Rated output determined by PGMA Standard G300*

## Know Your Generator

See Figure 1.

The safe use of this product requires an understanding of the information on the product and in this Operator's Manual as well as a knowledge of the project you are attempting. Before use of this product, familiarize yourself with all operating features and safety rules.

### 120 V AC Receptacles

Your generator has two single phase, 60 Hz outlets that are 120 Volt AC, 20 Amp receptacles and one 120 Volt AC 30 Amp RV receptacle. These can be used for operating appropriate appliances, electrical lighting, tools, and motor loads.

### AC Circuit Breaker

The circuit breaker is provided to protect the generator against electrical overload. The circuit breaker may be reset by pressing the circuit breaker reset button.

### Air Filter

The air filter limits the amount of dirt and dust drawn into the unit during operation.

### Auto Idle Switch

The auto idle switch is used to control the speed of the engine and conserve fuel. When the switch is in the **ON** position and no appliances are connected to the unit, the engine will idle. If an appliance is added, the engine speed will increase to power the item. If the appliance is removed, the engine will return to idle.

### Automatic Shutoff

The generator's carbon monoxide sensor is designed to monitor the level of carbon monoxide present during generator operation. If the unit is positioned incorrectly and carbon monoxide levels rise to an unsafe level, the LED on the sensor will flash red and the generator will automatically shut down. Leave the area immediately and relocate to an open outdoor area. Ventilate the area thoroughly before occupying again. Ensure the generator is located in an open, outdoor area at least 20 feet (6 m) away from all doors, windows, and occupied spaces, and point exhaust away from occupied structures before restarting.

### Generator

Rated AC Voltage .....	120 V
Rated Amps.....	28.33 A
Rated DC Voltage.....	5 V
Rated Current.....	2.1 A
Rated Output*.....	3,400 W
Starting Watts.....	4,000 W
Rated Frequency .....	60 Hz

**NOTE:** After a shutoff event has occurred, the LED will continue to flash red for up to 5 minutes or CO levels are safe. Once the generator is relocated and CO levels are safe, the generator can be restarted even if the light is still flashing.

### ECHO COMMAND™ with Bluetooth®

The ECHO COMMAND™ monitoring system with Bluetooth® tracks fuel level, runtime, auto idle status and load.

### On/Off/Choke Lever

The engine switch is used with the recoil starter grip to start the generator. To turn the engine off, place the engine switch in the STOP position.

### Fuel Tank

The fuel tank has a capacity of 3.3 gallon (12.49 l).

### Ground Terminal

The ground terminal is used to assist in properly grounding the generator to help protect against electrical shock. Consult with a qualified local electrician for grounding requirements in your area.

### LED Display

LEDs provide feedback to indicate whether the generator is in use, overloaded, or in need of lubricant.

### Low Oil Shut Down Protector

The low oil sensor causes the engine to stop if the level of lubricant in the crankcase is insufficient. The engine may not be restarted until sufficient engine lubricant has been added to the generator.

### Oil Cap/Dipstick

Remove the oil fill cap to check and add lubricant to the generator when necessary.

### Oil Drain Plug

When changing the engine lubricant, unscrew and remove the oil drain plug to allow old engine lubricant to be drained.

### Recoil Starter Grip

The recoil starter grip is used (along with the on/off/choke lever) to start the generator's engine.

# FEATURES

## Reset Button

The reset button is used to restore power if an overload occurs. To restore power, remove the last electrical load added then press the reset button.

# ASSEMBLY

## Unpacking

This product requires assembly.

- Carefully cut the box down the sides then remove the machine and any accessories from the box. Make sure that all items listed in the **Loose Parts List** are included.

**NOTE:** This machine is heavy and requires a minimum of two people to lift. To avoid back injury, lift with your legs and not your back.

### WARNING

**Do not use this product if any parts in the Loose Parts List are already assembled to your product when you unpack it. Parts on this list are not assembled to the product by the manufacturer and require customer installation. Use of a product that may have been improperly assembled could result in serious personal injury.**

- Inspect the unit carefully to make sure no damage occurred during shipping.
- Do not discard the packing material until you have carefully inspected and satisfactorily operated the product.
- If any parts are damaged or missing, please call 1-800-432-ECHO (3246) for assistance.

### WARNING

**If any parts are damaged or missing do not operate this product until the parts are replaced. Use of this product with damaged or missing parts could result in serious personal injury.**

### WARNING

**Do not attempt to modify this product or create accessories not recommended for use with this product. Any such alteration or modification is misuse and could result in a hazardous condition leading to possible serious personal injury.**

### WARNING

**Do not attempt to operate the generator until assembly is complete. Failure to comply could result in possible serious personal injury.**

## USB Ports

The two 5 Volt, 2.1 Amp USB-dedicated charging ports will charge most USB-compatible devices.

## Loose Parts List

See Figure 2.

The following items are included with the generator:

Key No.	Description	Qty.
1	Wheel .....	2
2	Wheel Cover .....	2
3	Axle Bolt .....	2
4	Washers.....	2
5	Hitch Pin.....	2
6	Foot Bracket.....	2
7	Bolt.....	4
8	Lock Nut.....	4
9	Engine Lubricant .....	1
	Paper Funnel (not shown) .....	1
	Operator's Manual (not shown) .....	1

## Tools Needed

See Figure 3.

The following tools (not included or drawn to scale) are needed for assembly:

- Socket Wrenches and/or Combination Wrench

**NOTE:** Do not put fuel or lubricant in the generator before installing the feet and wheels.

## Installing Feet

See Figure 4.

- Locate the following items:
  - 2 foot bracket
  - 4 lock nuts
  - 4 bolts
- Insert bolts through foot bracket, then through the cross brace as shown.
- Thread lock nuts onto bolts and tighten one full turn past snug.

**NOTE: Be careful not to overtighten so that foot material collapses.**

- Repeat with remaining foot.



# ASSEMBLY

## Installing the Wheels

See Figure 5.

Wheels are provided to assist in moving the generator to the desired location and should be installed on the same side as the handle.

- Locate the following items:
  - 2 axles
  - 2 hitch pins
  - 2 wheel covers
  - 2 washers
  - 2 wheels
- Raise the end of the generator where the handle is located high enough to gain access to the frame bottom; securely position props underneath to support.
- Slide the axle through the hole in the center of the wheel.
- Slide a washer onto the axle, then slide the axle into the wheel mounting hole as shown.

- Insert hitch pin to secure.

**NOTE:** The hitch pin should be pushed into the axle until the center of the rests on top of the axle.

- Repeat with the second wheel.

## Raising and Lowering the Handle

See Figure 6.

- Extend the handle, then insert the pin through the hole in the handle and the generator frame to secure handle in place.

Never use the handle to lift the generator. The handle should only be used for moving the unit by rolling it on its wheels.

### Releasing the handle:

- Remove the handle lock pin and lower the handle to the down position.

# OPERATION

## DANGER

**Carbon Monoxide. Using a generator indoors CAN KILL YOU IN MINUTES.**

*Generator exhaust contains high levels of carbon monoxide (CO), a poisonous gas you cannot see or smell. If you can smell the generator exhaust, you are breathing CO. But even if you cannot smell the exhaust, you could be breathing CO.*

- *Never use a generator inside homes, garages, crawl-spaces, or other partly enclosed areas. Deadly levels of carbon monoxide can build up in these areas. Using a fan or opening windows and doors does NOT supply enough fresh air.*
- *ONLY use a generator outdoors and far away from open windows, doors, and vents. These openings can pull in generator exhaust.*

*Even when you use a generator correctly, CO may leak into the home. ALWAYS use a battery-powered or battery-backup CO alarm in the home.*

*If you start to feel sick, dizzy, or weak after the generator has been running, move to fresh air RIGHT AWAY. See a doctor. You could have carbon monoxide poisoning.*

## WARNING

**NEVER ignore an automatic shutoff event. IF AUTOMATIC SHUTOFF OCCURS – YOU MUST leave the area immediately and relocate to an open outdoor area. Ventilate the area thoroughly before occupying again. Ensure the generator is located in an open, outdoor area at least 20 feet (3 m) away from all doors, windows, and occupied spaces. Always point exhaust away from occupied structures. Never run the generator in enclosed areas (e.g. not in a house or garage). Failure to follow these instructions can lead to carbon monoxide (CO) poisoning which can result in death or serious personal injury.**

## WARNING

**If this generator will be used only with cord and plug-connected equipment, National Electric Code does not require that the unit be grounded. However, other methods of using the generator may require grounding to reduce the risk of shock or electrocution. Consult a qualified electrician, electrical inspector, or local agency having jurisdiction for local codes or ordinances to find out if grounding is needed in your situation before using the generator.**

# OPERATION

## WARNING

*Do not allow familiarity with this product to make you careless. Remember that a careless fraction of a second is sufficient to inflict serious injury.*

## WARNING

*Do not use any attachments or accessories not recommended by the manufacturer of this product. The use of attachments or accessories not recommended can result in serious personal injury.*

## NOTICE

*This product is equipped with a spark arrestor that has been evaluated by the USDA Forest Service; however, product users must comply with Federal, State, and local fire prevention regulations. Check with appropriate authorities. Contact customer service or an authorized dealer to purchase a replacement spark arrestor.*

## NOTICE

*Before each use, inspect the entire product for damaged, missing, or loose parts, such as screws, nuts, bolts, caps, etc. Tighten securely all fasteners and caps and do not operate this product until all missing or damaged parts are replaced. Please contact customer service or an authorized dealer for assistance.*

## Applications

This generator is designed to supply electrical power for operating compatible electrical lighting, appliances, tools, and motor loads.

## Before Operating the Unit

- Only use OUTSIDE and at least 20 feet (6 m) away from windows, doors, and vents as recommended by the U.S. Department of Health and Human Services Centers for Disease Control and Prevention. Your specific home and/or wind conditions may require additional distance.
- NEVER use inside a home or garage, EVEN IF doors and windows are open.
- Always position the generator on a flat firm surface.

### Special Requirements:

There may be General or State Occupational Safety and Health Administration (OSHA) regulations, local codes or ordinances that apply to the intended use of the generator. Please consult a qualified electrician, electrical inspector, or the local agency having jurisdiction:

- In some areas, generators are required to be registered with local utility companies.
- If the generator is used at a construction site, there may be additional regulations which must be observed.

## ECHO COMMAND™ LCD Display

See Figure 7.

**NOTE:** The LCD display will not work unless the unit is running.

**Fuel level:** The fuel level indicator will show how much fuel is remaining.

**Load level:** The load level indicator will show the connected load. If the generator is approaching the maximum wattage/ amperage capacity, the indicator will blink. If load level capacity is exceeded, the LCD display will show OVERLOAD. To reset the generator, remove all loads from the generator and press the reset button (see fig. 1). Add loads back to the generator one at a time being careful not to exceed the generator's wattage rating.

**Run time:** The LCD display will show the approximate remaining run time based on fuel level and load.

**Auto idle:** The LCD display will show if the idle is on or off.

**Bluetooth®:** Once paired, the LCD display will indicate whether or not the ECHO COMMAND™ app is connected through Bluetooth®.

## Checking/Adding Lubricant

See Figure 8.

## NOTICE

*Attempting to start the engine before it has been properly filled with lubricant will result in equipment failure.*

**NOTE:** If a separate engine manual is provided for this product, please follow the instructions provided in the engine manual instead of the information listed below.

Engine lubricant has a major influence on engine performance and service life. For general, all-temperature use, SAE 10W-30 is recommended. Always use a 4-stroke motor lubricant that meets or exceeds the requirements for API service classification SJ.

This engine comes with a feature that will shut off the engine when a specific lubricant level is not maintained. The engine will not restart until an appropriate lubricant level is reached.

**NOTE:** Non-detergent or 2-stroke engine lubricants will damage the engine and should not be used.

- Unscrew the oil cap/dipstick and remove.
- Wipe dipstick clean and re-seat in hole; do not re-thread.
- Remove dipstick again and check lubricant level. Lubricant level should fall between the minimum and maximum marks on the dipstick.
- If level is low, add engine lubricant until the fluid level rises between the minimum and maximum marks on the dipstick.
- Replace and secure the oil cap/dipstick.

# OPERATION

## Using Fuel Stabilizer

Fuel gets old, oxidizes, and breaks down over time. Adding a fuel stabilizer (not included) extends the usable life of fuel and helps prevent deposits from forming that can clog the fuel system. Follow fuel stabilizer manufacturer's directions for correct ratio of stabilizer to fuel.

- Mix fuel stabilizer and gasoline prior to filling the tank by using a gas can or other approved fuel container and shaking gently to combine.

**NOTE:** To control the amount of fuel stabilizer being added to the engine, always mix fuel stabilizer with gasoline before fueling the tank rather than adding fuel stabilizer directly into the generator's fuel tank.

- Replace and secure the fuel tank cap.
- Start and run the engine for at least 5 minutes to allow stabilizer to treat the entire fuel system.

## Ethanol-Blended Fuels

### NOTICE

**Do not use E15 or E85 fuel in this product. It is a violation of federal law and will damage the unit and void your warranty. Only use unleaded gasoline containing up to 10% ethanol.**

## Adding Fuel

See Figure 9.

### ⚠ DANGER

**Risk of fire and serious burns: Never remove fuel cap when unit is running. Shut off engine and allow the unit to cool at least five minutes. Remove cap slowly.**

### ⚠ WARNING

**Gasoline and its vapors are highly flammable and explosive. To prevent serious personal injury and property damage, handle gasoline with care. Keep away from ignition sources, handle outdoors only, do not smoke while adding fuel, and wipe up spills immediately.**

When adding gas to the generator, make sure the unit is sitting on a flat, level surface. If the engine is hot, let the generator cool for five minutes before adding gas. ALWAYS fill the fuel tank outdoors with the machine turned off.

- Move the on/off/choke lever to the **OFF** position.
- Remove the fuel cap slowly.
- Fill the fuel tank to 1 in. (25.4 mm) below the top of the fuel neck.
- Replace and secure the fuel cap.

### ⚠ WARNING

**Always shut off engine before fueling. Never remove fuel cap or add fuel to a machine with a running or hot engine. Make sure the unit is sitting on a flat, level surface and only add fuel outdoors. If the engine is hot, let the unit cool for at least five minutes before adding fuel. After fueling, immediately replace fuel cap and tighten securely. Move at least 30 ft. (9 m) from refueling site before starting engine. Do not smoke and stay away from open flames and sparks! Failure to follow these instructions could result in a fire and cause serious personal injury.**

**NOTE:** Always use unleaded gasoline with a pump octane rating of 86 or higher. Never use old, stale, or contaminated gasoline, and do not use an oil/gas mixture. Do not allow dirt or water into the fuel tank. **Do not use E85 fuel.**

## Starting the Engine

See Figures 10 - 11.

### NOTICE

**On a level surface with the engine off, check the lubricant level before each use of the generator.**

**NOTE:** If location of generator is not level, the unit may not start or may shut down during operation.

- Unplug all loads from the generator.
- Move the on/off/choke lever to the **START** position.  
**NOTE:** If engine is warm or the temperature is above 50°F, move the on/off/choke lever to the **RUN** position.
- Pull the recoil starting grip until the engine runs.  
**NOTE:** Do not allow the grip to snap back after starting; return it gently to its original place.
- Allow the engine to run for 15–30 seconds, then move the on/off/choke lever to the **RUN** position.

## Stopping the Engine

See Figure 10.

**To stop the engine under normal operating conditions:**

- Remove any load from the generator.
- Move the on/off/choke lever to the **OFF** position.

**To stop the unit quickly in an emergency:**

- Move the on/off/choke lever to the **OFF** position.

### ⚠ WARNING

**While operating and storing, keep at least 3 feet (91.4 cm) of clearance on all sides of this product, including overhead. Allow a minimum of 30 minutes of "cool down" time before storage. Heat created by muffler and exhaust gases could be hot enough to cause serious burns and/or ignite combustible objects.**

# OPERATION

---

## Pairing the *Bluetooth*<sup>®</sup> Generator

See Figure 12.

Installing the ECHO COMMAND™ app on your **Bluetooth**<sup>®</sup> enabled iOS or Android device allows you to view and control many of the generator's functions from your device.

- From the app store on your iOS or Android **Bluetooth**<sup>®</sup> enabled device, locate and install the ECHO COMMAND™ app.
- Open the app and follow the directions as shown in the ECHO COMMAND™ app.  
**NOTE:** Make sure **Bluetooth**<sup>®</sup> is enabled on your device.
- Start the generator. Push and hold the “Push and Hold to Pair” button below the LCD panel on the generator until the LCD panel displays “Pairing Mode.”
- The LCD screen on the generator and the app on your device will indicate a successful pairing.

**NOTE:** If the generator and app do not pair, make sure that “Pairing Mode” is displayed during the pairing process and that **Bluetooth**<sup>®</sup> is enabled on your device.

- Press the menu icon in the top left corner of the screen. This will show you the available features that can be controlled through the app.

## Moving the Generator

See Figure 13.

- Turn off the generator.
- Raise the handle to the up position.
- Disconnect any equipment that is plugged into the generator.
- Verify the on/off/choke lever is in the **OFF** position.
- Allow 30 minutes of “cool down” time before storing the machine. Make sure engine and exhaust of unit are cool.
- With your foot on the rear of the frame, tilt the machine toward you until it balances on the wheels, then roll the machine to the desired location.

## High Altitude Operation

Your engine is configured for operation below 2,000 feet (609.6 m) altitude at the factory. Your engine must be re-configured for operation above 2,000 feet (609.6 m) altitude. Operating the engine with the wrong engine configuration at a given altitude may increase its emissions, decrease fuel efficiency, degrade performance, and cause irreversible damage. Engines configured for high altitude operation cannot be operated in standard altitude conditions. An authorized dealer should ensure that your engine is properly configured for your location.

# MAINTENANCE

Normal maintenance, replacement or repair of emission control devices and systems may be performed by any qualified repair establishment or individual with original or equivalent parts. Warranty and recall repairs must be performed by an authorized dealer; please contact customer service for assistance.

## WARNING

***Before inspecting, cleaning or servicing the machine, shut off engine, wait for all moving parts to stop, and disconnect spark plug wire and move it away from spark plug. Allow 30 minutes of cool down time before performing any maintenance. Failure to follow these instructions can result in serious personal injury or property damage.***

## WARNING

***When servicing, use only recommended or equivalent replacement parts. Use of any other parts could create a hazard or cause product damage.***

## WARNING

***DO NOT tamper with, adjust, or modify the carbon monoxide (CO) sensor module on your generator. Failure to follow these instructions can cause the monitor to malfunction which can result in death or serious personal injury.***

## NOTICE

***Periodically inspect the entire product for damaged, missing, or loose parts such as screws, nuts, bolts, caps, etc. Tighten securely all fasteners and caps and do not operate this product until all missing or damaged parts are replaced. Please contact customer service or an authorized dealer for assistance.***

## General Maintenance

Keep the generator in a clean and dry environment where it is not exposed to dust, dirt, moisture, or corrosive vapors. Do not allow the cooling air slots in the generator to become clogged with foreign material such as leaves, etc.

Do not use a garden hose to clean the generator. Water entering the fuel system or other internal parts of the unit can cause problems that will decrease the life of the generator.

### To clean the unit:

- Use a soft bristle brush and/or vacuum cleaner to loosen and remove dirt and debris.
- Clean air vents with low pressure air that does not exceed 25 psi.
- Wipe the exterior surfaces of the generator with a damp cloth.

## Checking/Cleaning Air Filter

See Figures 14.

For proper performance and long life, keep air filter clean.

- Rotate knob counterclockwise to release. Remove cover and set aside.
- Remove the filter element.
- If the filter element is dirty, clean with warm, soapy water. Rinse and let dry.
- Apply a light coat of engine lubricant to the element, then squeeze it out.
- Replace the element in the air filter unit.
- Replace the air filter cover and rotate knob clockwise to secure.

**NOTE:** Make sure the filter is seated properly inside the generator. Installing the filter incorrectly will allow dirt to enter the engine, causing rapid engine wear.

## Changing Engine Lubricant

See Figure 15.

For best performance, engine lubricant should be changed after every 100 hours or 6 months of operation.

- Remove the oil fill cap/dipstick.
- Unscrew the oil drain plug and remove.
- Allow lubricant to drain completely into an approved container.

**NOTE:** Drain the lubricant while the engine is still warm but not hot. Warm lubricant will drain quickly and more completely.

## WARNING

***Do not change engine lubricant while it is hot. Accidental contact with hot engine lubricant could result in serious burns.***

- Reinstall the oil drain plug and tighten securely.
- Refill with lubricant following the instructions in the **Checking/Adding Lubricant** section. For amount of lubricant needed to refill, see **Product Specifications** earlier in this manual or the accompanying engine manual, if applicable.

- Replace and secure the oil cap/dipstick.

**NOTE:** Used lubricant should be disposed of at an approved disposal site. See your local retailer for more information.

## Spark Plug Replacement

See Figure 16.

The spark plug must be properly gapped and free of deposits in order to ensure proper engine operation. To check:

- Remove the spark plug cap.
- Clean any dirt from around base of spark plug.
- Remove spark plug using spark plug wrench or socket.

# MAINTENANCE

- Inspect spark plug for damage, and clean with a wire brush before reinstalling. If insulator is cracked or chipped, spark plug should be replaced. For replacement spark plug, see **Product Specifications** earlier in this manual or the accompanying engine manual, if applicable.
- Measure plug gap. The correct gap is 0.024–0.028 in. (0.60–0.70 mm). To widen gap, if necessary, carefully bend the ground (top) electrode. To lessen gap, gently tap ground electrode on a hard surface.
- Seat spark plug in position; thread in by hand to prevent cross-threading.
- Tighten with wrench to compress washer. If spark plug is new, use 1/2 turn to compress washer appropriate amount. If reusing old spark plug, use 1/8 to 1/4 turn for proper washer compression.  
**NOTE:** An improperly tightened spark plug will become very hot and could damage the engine.
- Reinstall the spark plug cap.

## Spark Arrestor

See Figure 17.

### NOTICE

***This product is equipped with a spark arrestor that has been evaluated by the USDA Forest Service; however, product users must comply with Federal, State, and local fire prevention regulations. Check with appropriate authorities. Contact customer service or an authorized dealer to purchase a replacement spark arrestor.***

The spark arrestor must be cleaned or replaced every 50 hours or yearly to ensure proper performance of your product. Spark arrestors may be in different locations depending on the model purchased. Contact customer service or an authorized dealer for the location of the spark arrestor for your model.

### To clean the spark arrestor:

- Loosen the screw on the spark arrestor cap. Remove the cap and spark arrestor.
- Use a brush (not provided) to remove carbon deposits from the spark arrestor.
- Replace the spark arrestor and cap, tighten screw securely.

## Draining Fuel Tank/Carburetor

See Figure 18.

To help prevent gum deposits in the fuel system, drain the fuel from the tank and carburetor before storing.

### Draining the Fuel Tank

- Place the on/off/choke lever in the **OFF** position.
- Remove the fuel line from the hose barb by squeezing the ends of the retaining clip and sliding the fuel line off.  
**NOTE:** Make sure you are removing the fuel line that runs between the fuel valve and the carburetor, **NOT** the line that runs between the fuel valve and the fuel tank.
- Install one end of a drain line (not provided) over the hose barb, and place the other end in a fuel container large enough to catch the fuel being drained from the tank.
- Place the on/off/choke lever in the **RUN** position.
- When the fuel has drained from the tank, place the on/off/choke lever in **OFF** position and reinstall fuel line securely onto the hose barb.

### Draining the Carburetor

- Place the on/off/choke lever in the **OFF** position.
- Position a suitable container under the carburetor drain screw to catch fuel; loosen the screw.
- Allow fuel to drain completely into container.
- Retighten drain screw.

**NOTE:** Consult hazardous waste management guidelines in your area for the proper way to dispose of used fuel.

## Transporting

- Verify the on/off/choke lever is in the **OFF** position.
- Allow 30 minutes of “cool down” time before transporting the machine. Make sure engine and exhaust of unit are cool.
- Do not drop or strike unit or place under heavy objects.
- If transporting in a vehicle, drain the fuel tank, close the fuel valve, and securely restrain the generator.
- Provide a plastic sheet or absorbent pad below the generator to catch any drips of fuel or lubricant.

# MAINTENANCE

---

## Storage

When preparing the generator for storage, allow the unit to cool for 30 minutes then follow the guidelines below.

Storage Time	Prior to Storing
Less than 2 months	<ul style="list-style-type: none"><li>■ Drain gasoline from tank and dispose of in a suitable container according to state and local ordinances.</li></ul>
2 months to 1 year	<ul style="list-style-type: none"><li>■ Drain fuel from carburetor.</li><li>■ Drain gasoline from tank and dispose of in a suitable container according to state and local ordinances.</li></ul>
1 year or more	<ul style="list-style-type: none"><li>■ Drain fuel from the carburetor.</li><li>■ Remove spark plug.</li><li>■ Drain gasoline from tank and dispose of in a suitable container according to state and local ordinances.</li><li>■ Put a tablespoon of engine lubricant into the spark plug cylinder. Turn the engine slowly with the pull rope to distribute the lubricant.</li><li>■ Reinstall spark plug.</li><li>■ Change engine lubricant.</li></ul> <p>After removal from storage:</p> <ul style="list-style-type: none"><li>■ Fill with fresh gasoline.</li></ul>

**NOTE: If storing gasoline in suitable container for later use, make sure gasoline has been treated with fuel stabilizer according to stabilizer manufacturer's instructions.**

# MAINTENANCE

## Maintenance Schedule

**NOTE:** If a separate engine manual is provided for this generator, please follow the maintenance schedule provided in the engine manual instead of the maintenance information listed below.

	Before each use	After 1st month or 20 hours of operation	Every 3 months or 50 hours of operation	Every 6 months or 100 hours of operation	Every year or after 300 hours of operation
Check Engine Lubricant	■				
Change Engine Lubricant <sup>2</sup>		■		■	
Check Air Filter	■				
Clean Air Filter			■		
Change Air Filter <sup>2</sup>					■
Check/Adjust Spark Plug				■	
Replace Spark Plug <sup>2</sup>					■
Check/Clean Spark Screen				■	
Check/Adjust Valve Clearance <sup>1,2</sup>					■
Clean Fuel Tank and Filter <sup>1,2</sup>				■	
Check Fuel Hose	■				■
Fuel Filter	Inspect				Replace
Check All Hose Connections	■				■
Inspect Fuel Tank Vapor Vent (If Equipped)	■				■
Inspect Carbon Canister (CARB Models Only) <sup>3</sup>	■				■

1. These items should only be carried out by an authorized dealer.

2. See engine manual for maintenance schedule for this item.

3. Visually check for physical damage. Cracks in the case, broken inlet or outlet ports, or broken or failed mounting tabs should be replaced. Contact customer service or an authorized dealer for assistance.

**NOTE:** Maintenance should be performed more frequently when generator is used in dusty areas. When generator has exceeded the maximum figures specified in the table, maintenance should still be cycled according to the intervals of time or hours stated herein.



# TROUBLESHOOTING

Problem	Possible Cause	Solution
Engine will not start.	<p>On/off/choke lever is <b>STOP</b> position.</p> <p>Fuel valve is <b>OFF</b>.</p> <p>No fuel.</p> <p>Stale gasoline or water in gasoline.</p> <p>Lubricant level is low.</p> <p>Spark plug faulty, fouled, or improperly gapped.</p> <p>Engine stored without treating or draining gasoline, or refueled with bad gasoline.</p> <p>Dirty fuel filter.</p> <p>CO sensor LED is flashing red, indicating a CO hazard.</p> <p>CO sensor LED is flashing yellow and/or making an audible chirp, indicating a sensor fault.</p>	<p>Turn on/of/choke lever to <b>RUN</b> position.</p> <p>Turn fuel valve to <b>ON</b> position.</p> <p>Fill fuel tank.</p> <p>Drain entire system and refill with fresh fuel.</p> <p>Engine is equipped with low oil shut-down. If engine lubricant level is low, it must be filled before it will start. Check engine lubricant level and fill, if necessary.</p> <p>Replace spark plug.</p> <p>Drain fuel and carburetor. Refuel with fresh gasoline.</p> <p>Contact an authorized dealer.</p> <p>Leave area immediately and relocate to an open outdoor area. Ventilate area thoroughly before occupying again. Ensure the generator is located in an open outdoor area at least 20 feet (6 m) away from all doors, windows, and occupied spaces, and point exhaust away from occupied structures.</p> <p>The CO sensor needs to be repaired or replaced. Contact customer service or an authorized dealer for assistance.</p>
Engine hard to start.	<p>Water in gasoline.</p> <p>Weak spark at spark plug.</p>	<p>Drain entire system and refill with fresh fuel.</p> <p>Contact an authorized dealer.</p>
Engine lacks power.	<p>Engine stored without treating or draining gasoline, or refueled with bad gasoline.</p> <p>Dirty air filter.</p>	<p>Drain fuel and carburetor. Refuel with fresh gasoline.</p> <p>Clean or replace as needed.</p>
AC receptacle does not work.	<p>Item plugged in is defective.</p> <p>Generator is overloaded.</p> <p>Circuit breaker is tripped.</p>	<p>Try a different item.</p> <p>Remove loads and press the reset button.</p> <p>Reset the AC circuit breaker.</p>
DC receptacle does not work.	<p>Circuit breaker is tripped.</p>	<p>Reset the DC circuit breaker.</p>

If problem persists after trying the above solutions, contact customer service or an authorized dealer for assistance.

## NOTICE

As the equipment owner, you are responsible for the performance of the required maintenance listed in the *Maintenance* section. It is recommended that you retain all receipts covering maintenance on your equipment. Neglecting or failing to perform the required maintenance may increase emissions, decrease fuel efficiency, degrade performance, cause irreversible engine damage and/or void your warranty.

# WARRANTY

## Limited Warranty Statement

ECHO Incorporated warrants to the original retail purchaser that this ECHO® brand outdoor product is free from defects in material and workmanship and agrees to repair or replace at ECHO Incorporated's discretion, any defective product free of charge within these time periods from the date of purchase.

- 3 Year Consumer
- 90 Days Commercial
- 90 Days For Rental Use
- 90 Days Accessories and Replacement Parts

This warranty extends to the original retail purchaser only and commences on the date of the original retail purchase.

Any part of this product found, in the reasonable judgment of ECHO Incorporated, to be defective in material or workmanship will be repaired or replaced without charge for parts and labor by an authorized ECHO dealer. Repair parts and accessories replaced under this warranty are warranted only for the balance of the original warranty period.

The product, including any defective part, must be returned to an authorized ECHO dealer within the warranty period. The expense of delivering the product to the dealer for warranty work and the expense of returning it back to the owner after repair or replacement will be paid by the owner. ECHO Incorporated's responsibility in respect to claims is limited to making the required repairs or replacements and no claim of breach of warranty shall be cause for cancellation or rescission of the contract of sale of any ECHO brand outdoor product. Proof of purchase will be required by the dealer to substantiate any warranty claim. All warranty work must be performed by an authorized ECHO dealer.

This warranty does not cover any product that has been subject to misuse, neglect, negligence, or accident, or that has been operated in any way contrary to the operating instructions as specified in this Operator's Manual. This warranty does not apply to any damage to the product that is the result of improper maintenance or to any product that has been altered or modified. The warranty does not extend to repairs made necessary by normal wear or by the use of parts or accessories which are either incompatible with the ECHO brand outdoor product, or that adversely affect its operation, performance, or durability. In addition, this warranty does not cover wear to normal items such as, but not limited to:

A. Tune-ups – Air Filters, Gas Filters, Carburetors, Spark Plugs, Filters, Oil Changes

B. Wear items – Recoil Starter Rope, Motor Brushes, Alternator Brushes, Cotter Pins, Wheels

**C. IMPORTANT: Some components not covered under this warranty may still be covered by a separate warranty issued by the engine manufacturer. Please see the Engine Manufacturer Warranty (if any) supplied with this product for further details.**

ECHO Incorporated reserves the right to change or improve the design of this product without assuming any obligation to modify any product previously manufactured.

ALL IMPLIED WARRANTIES ARE LIMITED IN DURATION TO THE STATED WARRANTY PERIOD. ACCORDINGLY, ANY SUCH IMPLIED WARRANTIES INCLUDING MERCHANTABILITY, FITNESS FOR A PARTICULAR PURPOSE, OR OTHERWISE, ARE DISCLAIMED IN THEIR ENTIRETY AFTER THE EXPIRATION OF THE APPROPRIATE THREE-YEAR OR 90 DAY WARRANTY PERIOD. ECHO INCORPORATED'S OBLIGATION UNDER THIS WARRANTY IS STRICTLY AND EXCLUSIVELY LIMITED TO THE REPAIR OR REPLACEMENT OF DEFECTIVE PARTS AND ECHO INCORPORATED DOES NOT ASSUME OR AUTHORIZE ANYONE TO ASSUME FOR THEM ANY OTHER OBLIGATION. SOME STATES DO NOT ALLOW LIMITATIONS ON HOW LONG AN IMPLIED WARRANTY LASTS, SO THE ABOVE LIMITATION MAY NOT APPLY TO YOU. ECHO INCORPORATED ASSUMES NO RESPONSIBILITY FOR INCIDENTAL, CONSEQUENTIAL, OR OTHER DAMAGES INCLUDING, BUT NOT LIMITED TO, EXPENSE OF RETURNING THE PRODUCT TO AN AUTHORIZED DEALER FOR ECHO BRAND OUTDOOR PRODUCTS AND EXPENSE OF DELIVERING IT BACK TO THE OWNER, MECHANIC'S TRAVEL TIME, TELEPHONE OR TELEGRAM CHARGES, RENTAL OF A LIKE PRODUCT DURING THE TIME WARRANTY SERVICE IS BEING PERFORMED, TRAVEL, LOSS OR DAMAGE TO PERSONAL PROPERTY, LOSS OF REVENUE, LOSS OF USE OF THE PRODUCT, LOSS OF TIME, OR INCONVENIENCE. SOME STATES DO NOT ALLOW THE EXCLUSION OR LIMITATION OF INCIDENTAL OR CONSEQUENTIAL DAMAGES, SO THE ABOVE LIMITATION OR EXCLUSION MAY NOT APPLY TO YOU.

This warranty gives you specific legal rights, and you may also have other rights which vary from state to state.

This warranty applies to all ECHO brand Generators manufactured by or for ECHO Incorporated and sold in the United States and Canada.

To locate your nearest authorized ECHO dealer, visit [www.echo-usa.com](http://www.echo-usa.com) or dial 1-800-432-ECHO (3246).

## ECHO Incorporated

400 Oakwood Rd.  
Lake Zurich, IL 60047  
1-800-432-ECHO (3246)  
[www.echo-usa.com](http://www.echo-usa.com)



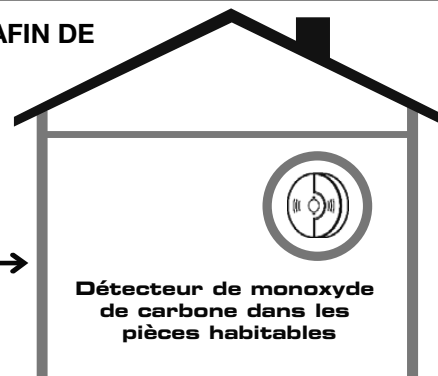
## INSTALLER ET ÉLOIGNER LA GÉNÉRATRICE D'AU MOINS 6 M (20 PI)\* AFIN DE RÉDUIRE LE RISQUE D'INFILTRATION DE MONOXYDE DE CARBONE À L'INTÉRIEUR DE LA MAISON

\* Distance minimale recommandée par le Service de santé et les Centres pour le contrôle et la prévention des maladies américains ([www.cdc.gov/co](http://www.cdc.gov/co)). Le type de maison et les conditions du vent peuvent exiger une distance plus grande.



← **GARDER À UNE DISTANCE D'AU MOINS 6 M (20 PI) \*** →

Utiliser seulement **À L'EXTÉRIEUR** et **TRÈS LOIN** de toutes fenêtres, portes ou bouches d'aération.



### **⚠ AVERTISSEMENT**

#### **MISE À LA TERRE DU GÉNÉRATRICE**

Le Code national de l'électricité n'exige pas que cette génératrice soit mise à la terre si elle est utilisée uniquement avec un équipement à cordon ou à connecteur mâle. Cependant, les autres méthodes utilisées avec cette génératrice nécessitent une mise à la terre afin de réduire le risque de décharge électrique et d'électrocution. Consulter un électricien qualifié, un inspecteur en électricité ou l'organisme local gérant les règlements locaux ou les lois afin de connaître les exigences de mise à la terre selon votre situation avant d'utiliser la génératrice.

Lorsque la mise à la terre est exigée, l'écrou et la borne de terre sur le cadre sont utilisés pour connecter la génératrice à une source de terre adaptée. Le cheminement de la mise à la terre doit se faire avec un fil de calibre 8. Raccorder la borne du fil de terre entre la rondelle frein et l'écrou, puis serrer fermement l'écrou. Raccorder et immobiliser fermement l'autre extrémité du fil à une source de terre en contact avec le sol à une distance d'au moins 2,4 m (8 pi).

Le code électrique américain contient diverses façons pratiques permettant d'établir une bonne source de terre. Si une tige en fer ou en acier est utilisée, elle doit être d'au moins 15 mm (5/8 po) et si une tige non ferreuse est utilisée, elle doit avoir un diamètre d'au moins 12,5 mm (1/2 po) et être faite d'un matériau indiqué pour la mise à la terre. Si un fond rocailleux se présente avant d'avoir atteint la profondeur de 2,4 m (8 pi), enfoncer le piquet de prise de terre à un angle de 45°. Si un nouveau fond rocailleux se présente à nouveau, le piquet peut être enfoui dans une tranchée d'au moins 76,2 cm (30 po) de profondeur. Dans tous les cas, le haut et le bas du piquet de prise de terre doit être à niveau (ou sous) le sol ou protégé de quelque manière contre le bris physique.

Tous les outils et les appareils électriques utilisés à l'aide de ce génératrice doivent être correctement mis à la terre par l'intermédiaire d'un troisième fil ou être doublement isolés.

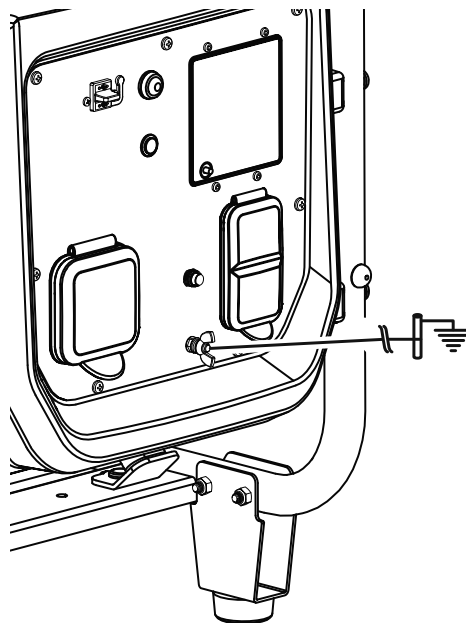
Il est recommandé :

1. D'utiliser des appareils électriques avec prises de terre à trois fiches.
2. D'utiliser un cordon prolongateur conçus pour l'extérieur avec prise à 3 pôles et une fiche à 3 broches aux extrémités opposées pour assurer la continuité de la protection de mise à la terre du génératrice à l'appareil.

Consulter et respecter tous les règlements nationaux et locaux applicables concernant les spécifications de mise à la terre. Consulter un électricien qualifié ou le personnel de service si les instructions de mise à la terre ne sont pas bien comprises, ou en cas de doute au sujet de la mise à la terre.

#### **Énoncé de licence Bluetooth®**

L'indice de l'œuvre et les logos de **Bluetooth®** sont des marques déposées par Bluetooth SIG, Inc. et toutes utilisations de telles marques par TPTTL sont sous licence. Les autres marques de commerce et appellations commerciales sont la propriété de leurs propriétaires respectifs.



# INSTRUCTIONS IMPORTANTES CONCERNANT LA SÉCURITÉ

## DANGER

**Monoxyde de Carbone. Utiliser une génératrice à l'intérieur d'un bâtiment CAUSERA LA MORT EN QUELQUES MINUTES.**

**Le tuyau d'échappement de la génératrice contient un niveau élevé de monoxyde de carbone (CO), lequel s'avère être un gaz poison inodore et invisible. Si vous pouvez sentir les gaz du tuyau d'échappement de la génératrice, vous respirez du CO. Mais, même si vous ne pouvez pas sentir les gaz provenant du tuyau d'échappement, vous pourriez être en train de respirer du CO.**

- **Ne jamais utiliser une génératrice à l'intérieur d'une maison, des garages, des petits espaces, ou autres aires restreintes partiellement fermées. Des niveaux mortels de monoxyde de carbone peuvent s'accumuler dans ces aires restreintes. Utiliser un ventilateur ou ouvrir une fenêtre ou les portes NE fournie PAS assez d'air frais à respirer.**
- **Utilisez SEULEMENT la génératrice à l'extérieur et loin des fenêtres ouvertes, des portes ouvertes, et des bouches d'aérations. Ces ouvertures peuvent tirer l'air provenant du tuyau d'échappement.**

**Même si vous utilisez une génératrice correctement, des gaz CO peuvent toujours s'infiltrer dans la maison. TOUJOURS utiliser une alarme de monoxyde de carbone à piles dans votre maison.**

**Si vous ressentez que vous commencez à être étourdi ou faible suite au fonctionnement de la génératrice, allez prendre l'air frais IMMÉDIATEMENT. Consultez un médecin. Vous pourriez avoir un empoisonnement au monoxyde de carbone.**

## AVERTISSEMENT

**Lire et comprendre toutes les instructions. Le non-respect de toutes les instructions ci-dessous peut entraîner une électrocution, un incendie et/ou un empoisonnement au monoxyde de carbone, pouvant causer des blessures graves, voire mortelles.**

## AVERTISSEMENT

**Pour certaines applications, le code électrique américain (National Electric Code) requiert que le génératrice soit mis à la terre par l'intermédiaire d'une source de terre approuvée. Avant d'utiliser la borne de terre, consulter un électricien qualifié, un inspecteur en électricité ou un organisme local connaissant les codes et les règlements locaux applicables à l'utilisation prévue du génératrice.**

## Conserver ces instructions

Ce manuel relate à propos d'instructions importantes lesquelles devraient être suivies pendant l'installation et l'entretien des batteries et de la génératrice.

- Ne pas brancher au circuit électrique d'un bâtiment à moins que la génératrice et le commutateur de transfert n'aient été installés correctement par un électricien qualifié, et que ce dernier n'ait vérifié la sortie électrique. Le branchement doit isoler l'alimentation de la génératrice de la source d'alimentation de l'appareil et doit répondre à toutes les lois et codes de l'électricité applicables.
- Ne pas laisser des enfants ou personnes n'ayant pas reçu une formation adéquate utiliser cette unité.
- Ne pas démarrer ou faire tourner le moteur dans un espace confiné, de bâtiment, à proximité des fenêtres ouverts, autre ou des zones sans ventilation où des vapeurs toxiques de monoxyde de carbone peuvent s'accumuler. Le monoxyde de carbone, un gaz incolore, inodore et extrêmement toxique peut causer une perte de conscience et être mortel.
- Garder les badauds, enfants et animaux domestiques à une distance minimum de 3 m (10 pi).
- Porter des chaussures ou des bottes robustes et sèches. Ne pas utiliser pieds nus.
- Ne pas utiliser le génératrice en état de fatigue, si l'on est souffrant ou sous l'influence de l'alcool, de drogues ou de médicaments.
- Garder toutes les parties du corps à l'écart des pièces en mouvement et des parties brûlantes de l'outil.
- Ne pas toucher les prises ou les fils dénudés.
- Ne pas utiliser le génératrice avec des cordons électriques usés, effilochés, dénudés ou autrement endommagés.
- Avant d'entreposer l'unité pendant une période prolongée, laisser le moteur refroidir pour 30 minutes et vidanger le carburant.
- Ne pas utiliser ou entreposer le génératrice dans la pluie ou la neige.
- Remiser la génératrice dans un endroit bien ventilé après avoir vider le réservoir de carburant. Ne pas remiser le carburant à proximité de la génératrice.
- Pour le transport dans un véhicule, le réservoir doit être vide, régler le robinet de carburant à la position arrêt et la machine bien arrimée.
- Installer une feuille de plastique ou un coussinet absorbant sous la génératrice pour recueillir toutes les gouttes d'essence ou lubrifiant lors du rangement ou du transport.
- Manipuler le carburant avec précaution pour éviter les risques d'incendies et de brûlures. Le carburant est extrêmement inflammable.
- Ne pas fumer pendant la manipulation du carburant.
- Conserver le carburant dans un bidon ou jerrican approuvé pour l'essence.
- Poser la machine sur un sol plat, arrêter le moteur et le laisser refroidir pendant 5 minutes avant de faire le plein.
- Desserrer le bouchon du réservoir lentement pour relâcher la pression et éviter que le carburant ne s'échappe.
- Une fois le réservoir plein, remettre le bouchon en place et le serrer fermement.

# INSTRUCTIONS IMPORTANTES CONCERNANT LA SÉCURITÉ

- Essuyer tout le carburant éventuellement répandu.
- N'essayer en aucun cas de brûler le carburant répandu.
- Une vibration est normale pendant l'utilisation de la génératrice. Pendant et après l'utilisation de la génératrice, inspectez celle-ci, tout comme les câbles d'extension et les câbles branchés à la boîte d'alimentation afin de détecter tout bris potentiel du matériel. Faites réparer tout dommage immédiatement ou remplacer les pièces endommagées au besoin. Ne pas utiliser de fiches ou des câbles qui sont endommagés tels qu'ils aient des signes de fissures ou si la couche isolante est craquée ou si les lamelles sont endommagées.
- Il est préférable d'utiliser une génératrice fixe comme source d'énergie de secours pour alimenter la maison en cas de panne d'électricité. Une génératrice portable, même correctement branchée, risque une surcharge. Il peut en résulter une surchauffe ou une contrainte induite sur les composantes du générateur, ce qui peut provoquer une défaillance de la génératrice.
- Utiliser uniquement des pièces de rechange et des accessoires recommandées ou équivalentes et suivre les instructions dans la section *Entretien* de ce manuel. L'usage de toute autre pièce ou le non-respect des instructions peut présenter des risques de choc électrique ou de blessures.
- Entretien le produit conformément aux instructions de ce manuel d'utilisation.
- Inspecter le produit avant chaque utilisation pour s'assurer qu'il n'y a pas de pièces desserrées, de fuites de carburant, etc. Remplacer les pièces endommagées.

## RÈGLES DE SÉCURITÉ PARTICULIÈRES

### DANGER

**Risque d'incendie et de blessures graves : Ne jamais retirer le capuchon du réservoir d'essence pendant que l'appareil fonctionne. Éteindre le moteur et laisser refroidir l'appareil pendant au moins cinq minutes. Retirer lentement le capuchon.**

### AVERTISSEMENT

**Lorsque cette génératrice est utilisée pour fournir de l'énergie à un système électrique d'un bâtiment : cette génératrice doit être installée par un électricien qualifié et doit être branchée à un circuit fermé muni d'un interrupteur de transfert, conformément au Code National Électrique NFPA70. La génératrice devra être branchée sur un interrupteur de transfert lequel pourra allumer tous les conducteurs autres que celui du circuit électrique principal. Le cadre de la génératrice doit être mis à la terre par l'intermédiaire d'une source de terre approuvée. Si cette étape n'est pas faite, la génératrice ne sera pas isolée du circuit électrique et cela pourrait entraîner des blessures graves, voire même la mort chez un électricien travaillant pour l'usine.**

- Ne pas utiliser cette génératrice pour alimenter les appareils d'urgence médicale ou le matériel de survie.
- Cette génératrice est équipée d'un connecteur neutre libre. Cela signifie que le conducteur neutre n'est pas relié électriquement au cadre.
- Toujours utiliser un détecteur de monoxyde de carbone fonctionnant sur piles lors de l'utilisation de la génératrice. En cas de sensation de nausée, d'étourdissement ou de faiblesse lors de l'utilisation de la génératrice, l'arrêter et aller immédiatement à l'air frais. Consulter un docteur. Il peut s'agir d'un empoisonnement au monoxyde de carbone.
- Placer la génératrice sur une surface stable et plate sur une pente dont l'inclinaison ne dépasse pas 4°.
- Utiliser à l'extérieur dans un endroit bien ventilé et bien éclairé à l'écart des zones de travail pour éviter les interférences sonores.
- L'utilisation de la génératrice dans des conditions mouillées peut entraîner l'électrocution. Conserver l'unité au sec.
- Garder la génératrice à au moins 1 m (3 pieds) de tout type de matériau combustible.
- Ne jamais utiliser la génératrice près de matériaux dangereux.
- Ne pas utiliser la génératrice près d'une station de distribution d'essence ou de gaz naturel.
- Ne pas toucher le silencieux ou le cylindre durant ou immédiatement après l'utilisation. Ils sont BRÛLANTS et peuvent provoquer des brûlures.
- Ne pas laisser le réservoir d'essence de la génératrice déborder lors du remplissage. Remplir le réservoir jusqu'à 25,4 mm (1 po) de l'ouverture du goulot du réservoir pour permettre l'expansion du carburant. Ne pas recouvrir le bouchon du réservoir de carburant lorsque le moteur fonctionne. Ne pas respecter cette directive peut causer une panne de moteur ou endommager l'outil.
- Ne pas fumer lors du remplissage de la génératrice avec de l'essence.
- Fermer le moteur et le laisser refroidir pour 5 minutes avant l'ajout de carburant ou la lubrification de la génératrice.
- Ne pas retirer la jauge d'huile ou le bouchon du réservoir de carburant lorsque le moteur tourne.
- Bien tenir compte de tous les autocollants de sécurité situés sur la génératrice.
- Garder les enfants à un minimum de 3 m (10 pieds) de la génératrice à tout moment.

# RÈGLES DE SÉCURITÉ PARTICULIÈRES

---

- L'unité fonctionne le mieux à des températures comprises entre  $-5$  et  $40$  °C ( $23$  et  $104$  °F) avec une humidité relative de  $90$  % ou moins.
- Vérifier la tension et la fréquence requises avant de brancher tout équipement électronique sur le génératrice. Le génératrice peut se trouver endommagé si les appareils branchés ne sont pas prévus pour fonctionner à une tension égale à  $\pm 10\%$  et une fréquence égale à  $\pm 3$  hz de celles indiquées sur la plaque signalétique du génératrice.
- Pour l'utilisation à l'extérieur seulement.
- NE JAMAIS ignorer un événement d'arrêt automatique. SI UN ARRÊT AUTOMATIQUE SURVIENT — VOUS DEVEZ quitter la zone immédiatement et vous rendre dans un lieu extérieur en plein air. Bien ventiler la zone avant d'occuper les lieux de nouveau. S'assurer que la génératrice est située dans un lieu extérieur en plein air, au moins  $6$  m ( $20$  pi) toutes fenêtres, portes et espaces occupés. Toujours placer l'évacuation à l'écart des structures occupées. Ne jamais faire fonctionner la génératrice dans des zones fermées (par exemple dans une maison ou un garage). Le défaut de suivre ces instructions peut causer un empoisonnement de monoxyde de carbone (CO) qui peut entraîner la mort ou des blessures graves.
- Le capteur de monoxyde de carbone de cette génératrice n'est pas conçue pour détecter la fumée, le feu ou tout autre gaz. Il s'activera seulement en présence de monoxyde de carbone depuis le capteur. Le monoxyde de carbone peut être présent dans d'autres endroits.
- La fonction d'arrêt en cas de monoxyde de carbone de cette génératrice ne remplace pas les pratiques sécuritaires en rapport avec la génératrice. Toujours opérer la génératrice dans un lieu extérieur en plein air, au moins  $6$  m ( $20$  pi) des structures occupées. Ne jamais opérer la génératrice dans un lieu partiellement ou entièrement fermé, près de fenêtres ou portes ouvertes ou dans des zones non ventilées.
- NE PAS altérer, ajuster ou modifier le module à capteur de monoxyde de carbone (CO) de votre génératrice. Le défaut de suivre ces instructions peut causer un mauvais fonctionnement du moniteur ce qui peut entraîner la mort ou des blessures graves.
- Conserver ces instructions. Les consulter fréquemment et les utiliser pour instruire les autres utilisateurs éventuels. Si ce produit est prêté, il doit être accompagné de ces instructions.

# SYMBOLES

Les termes de mise en garde suivants et leur signification ont pour but d'expliquer le degré de risques associé à l'utilisation de ce produit.

Symbole	Signal	Signification
	<b>DANGER</b>	Indique une situation dangereuse qui, si elle n'est pas évitée, aura pour conséquences des blessures graves ou mortelles.
	<b>AVERTISSEMENT</b>	Indique une situation dangereuse qui, si elle n'est pas évitée, pourrait entraîner des blessures graves ou mortelles.
	<b>ATTENTION</b>	Indique une situation dangereuse qui, si elle n'est pas évitée, pourrait entraîner des blessures légères ou de gravité modérée.
	<b>AVIS</b>	(Sans symbole d'alerte de sécurité) Indique les informations jugées importantes sans toutefois représenter un risque de blessure (ex. : messages concernant les dommages matériels).

Certains des symboles ci-dessous peuvent être utilisés sur le produit. Veiller à les étudier et à apprendre leur signification. Une interprétation correcte de ces symboles permettra d'utiliser le produit plus efficacement et de réduire les risques.

Symbole	Nom	Désignation / Explication
	Alerte de sécurité	Indique un risque de blessure potentiel.
	Lire manuel d'utilisation	Pour réduire les risques de blessures, l'utilisateur doit lire et veiller à bien comprendre le manuel d'utilisation avant d'utiliser ce produit.
	Avertissement concernant l'humidité	Ne pas exposer à la pluie ou l'humidité.
	Choc électrique	Une utilisation de l'équipement dans des conditions non sèches et le non-respect des méthodes sans danger peuvent entraîner un choc électrique.
	Vapeurs toxiques	Durant le fonctionnement, le générateur émet du monoxyde de carbone, un gaz toxique inodore et incolore. Respirer le monoxyde de carbone peut entraîner des nausées, des évanouissements, voire la mort.
	Incendie / explosion	Le carburant et ses vapeurs sont extrêmement inflammables et explosifs. Un incendie ou une explosion peut entraîner des brûlures graves, voire la mort.
	Surface brûlante et gaz d'échappement	Pour réduire les risques de blessures ou de dommages, éviter tout contact avec les surfaces brûlantes et ne pas positionner toute partie du corps dans le passage de gaz d'échappement chauds.
	Danger au levage	Pour réduire le risque de blessures graves, éviter de lever le générateur seul.
	Mise à la terre	Consulter un électricien local pour déterminer les exigences de mise à la terre avant le fonctionnement.
V	Volts	Tension
A	Ampères	Courant
Hz	Hertz	Fréquence (cycles par seconde)
W	Watt	Puissance



# SYMBLES

Certains des symboles ci-dessous peuvent être utilisés sur le produit. Veiller à les étudier et à apprendre leur signification. Une interprétation correcte de ces symboles permettra d'utiliser le produit plus efficacement et de réduire les risques.

Symbole	Nom	Désignation / Explication
hrs	Heures	Durée
gal	Gallon	Volume
qt	Quart	Volume

## Autocollants de sécurité

Les informations ci-dessous se trouvent sur le génératrice. Pour des raisons de sécurité, étudier et comprendre tous les autocollants avant de mettre le génératrice en marche.

Si un autocollant se détache ou devient illisible, contacter le centre de réparations qualifié pour obtenir un autocollant de rechange.

- Ne pas procéder de la manière décrite dans ce manuel d'utilisation entraînera des BLESSURES GRAVES voire la MORT.
- Risque d'incendie. Ne pas ajouter de carburant pendant l'utilisation de l'appareil.
- Le génératrice est une source potentielle de chocs électriques. Ne pas exposer à l'humidité, la pluie ou la neige. Ne pas utiliser avec les mains ou les pieds mouillés.
- L'échappement contient le gaz monoxyde de carbone toxique qui peut causer l'inconscience ou la MORT les secteurs bien ventilés et extérieurs loin d'ouvre des fenêt ou des portes.
- Ne pas exposer à la pluie ou l'humidité.
- L'utilisation d'une génératrice à l'intérieur PEUT VOUS TUER EN QUELQUES MINUTES. Les génératrices produisent du monoxyde de carbone, un gaz mortel incolore et inodore.
- NE JAMAIS utiliser à l'intérieur d'une maison ou d'un garage, MÊME SI les portes et les fenêtres sont ouvertes.
- Utiliser uniquement À L'EXTÉRIEUR et loin des fenêtres, des portes et des événements.

## Capteur de monoxyde de carbone (CO)

Dans le cas d'un risque de monoxyde de carbone, le voyant DEL du capteur CO clignotera en rouge et entraînera l'arrêt de la génératrice. Quitter immédiatement la zone et vous rendre dans un lieu extérieur en plein air. Bien ventiler la zone avant d'occuper les lieux de nouveau. S'assurer que la génératrice est située dans un lieu extérieur, en plein air, au moins 6 m (20 pi) toutes portes, fenêtres et espaces occupés. Toujours placer l'évacuation à l'écart des structures occupées. Ne jamais opérer la génératrice dans un lieu fermé (p. ex. dans une maison ou un garage).

NE PAS altérer, ajuster ou modifier le module à capteur de monoxyde de carbone (CO).

<b>⚠ DANGER</b>	<b>⚠ DANGER</b>
Using a generator indoors CAN KILL YOU IN MINUTES. Generator exhaust contains carbon monoxide. This is a poison you cannot see or smell.	L'utilisation d'une génératrice à l'intérieur PEUT VOUS TUER EN QUELQUES MINUTES. Les génératrices produisent du monoxyde de carbone, un gaz mortel incolore et inodore. NE JAMAIS utiliser à l'intérieur d'une maison ou d'un garage. MÊME SI les portes et les fenêtres sont ouvertes. Utiliser uniquement À L'EXTÉRIEUR et loin des fenêtres, des portes et des événements.
<b>⚠ PELIGRO</b>	<b>⚠ PELIGRO</b>
NEVER use inside a home or garage. EVEN IF doors and windows are open.	Usar un generador en el interior PUEDE MATARLO EN POCOS MINUTOS. Los gases de escape del generador contienen monóxido de carbono. Es un veneno que no puede verse ni olerse. NUNCA lo use dentro de su hogar o del garaje, INCLUSO con las puertas y las ventanas abiertas. Sólo utilícelo AL AIRE LIBRE y lejos de ventanas, puertas y respiraderos.

<b>⚠ WARNING</b>	<b>⚠ AVERTISSEMENT</b>	<b>⚠ ADVERTENCIA</b>
<b>IF AUTOMATIC SHUTOFF OCCURS - YOU MUST:</b> Leave the area immediately and relocate to an open, outdoor area. Ventilate the area thoroughly before occupying again. Ensure the generator is located in an open, outdoor area at least 20 feet away from all doors, windows and occupied spaces. Always point exhaust away from occupied structures. Never run generator in enclosed areas, such as in a house or garage. Failure to follow these instructions can lead to carbon monoxide (CO) poisoning which can result in DEATH or SERIOUS INJURY.	<b>SI L'ARRÊT AUTOMATIQUE SE PRODUIT, VOUS DEVEZ:</b> Quitter immédiatement la zone et vous rendre dans un lieu extérieur en plein air. Bien ventiler la zone avant d'occuper les lieux de nouveau. S'assurer que la génératrice est située dans un lieu extérieur en plein air, au moins 6 m (20 pi) des portes, fenêtres et espaces occupés. Toujours placer l'évacuation à l'écart des structures occupées. Ne jamais faire fonctionner la génératrice dans des zones fermées (par exemple dans une maison ou un garage). Le défaut de suivre ces instructions peut causer un empoisonnement de monoxyde de carbone (CO) qui peut entraîner la MORT ou des BLESSURES GRAVES.	<b>SI OCURRE EL CIERRE AUTOMÁTICO, DEBE:</b> Abandonar el área de inmediato y ir a un lugar al aire libre. Ventilación bien el área antes de volver a ocuparla. Asegurarse de que el generador se encuentre en un espacio abierto, con una distancia de al menos 6 m (20 pies) de puertas, ventanas, y espacios ocupados. Siempre dirige el escape hacia áreas de estructura ocupada. Nunca haga funcionar el generador en áreas cerradas (p.ej., en una casa o un garaje). Si no sigue estas instrucciones, podría haber intoxicación de carbono (CO), lo que puede resultar en LA MUERTE o en LESIONES GRAVES.
<b>+</b> IF YOU FEEL SICK, DIZZY OR WEAK, SEEK MEDICAL HELP IMMEDIATELY.	<b>+</b> SI VOUS VOUS SENTEZ MALADE, ÉTOURDI OU AFFAIBLI, CONSULTEZ UN MÉDECIN IMMÉDIATEMENT.	<b>+</b> SI SE SIENTE ENFERMO, MAREADO O DÉBIL, BUSQUE ASISTENCIA MÉDICA DE INMEDIATO.


## Avertissement concernant le carburant

Ne pas fumer lors du plein. Ne pas trop remplir. Le plein est obtenu à 25,4 mm (1 po) en dessous du haut du goulot de remplissage. Arrêter le moteur pendant cinq minutes avant de faire le plein pour éviter que la chaleur du silencieux n'allume les vapeurs de carburant.

<b>⚠ DANGER</b>	<b>⚠ DANGER</b>	<b>⚠ PELIGRO</b>
<b>Risk of Fire. Check for any fuel overflow or leaking. Stop the engine before refueling.</b> <b>Risque d'incendie. Vérifier l'absence de débordement ou de fuite de carburant. Arrêter le moteur avant de faire le plein.</b> <b>Riesgo de incendio. Revise si hay algún derrame o fuga de combustible. Apague el motor antes de poner combustible.</b>		

## Avertissement concernant le lubrifiant moteur

Ajouter de le lubrifiant avant l'utilisation initiale du génératrice. Toujours vérifier le niveau de lubrifiant avant chaque utilisation. Le niveau de lubrifiant doit toujours se trouver dans la zone hachurée de la jauge. Cette unité est équipée d'un capteur d'huile qui coupe automatiquement le moteur si le niveau de lubrifiant descend à un niveau dangereux.

<b>NOTICE AVIS AVISO</b>	<b>CHECK LUBRICANT</b>
Add lubricant to full mark to start. Engine will not start or will shut off if sensor detects low lubricant level. • Ajouter de lubrifiant jusqu'au repère de remplissage pour démarrer. Le moteur ne démarre pas ou s'éteint si le capteur détecte le niveau de lubrifiant faible. • Añadir lubricante hasta la marca de llenado para arrancar. El motor no arranca o se apaga si sensor detecta el nivel de lubricante de bajo.	

<b>⚠ DANGER</b>	<b>⚠ DANGER</b>	<b>⚠ PELIGRO</b>
<b>You WILL be KILLED or SERIOUSLY HURT if you do not follow the Operator's Manual Instructions.</b> <b>Ne pas procéder de la manière décrite dans ce Manuel d'utilisation entraînera des BLESSURES GRAVES voire la MORT.</b> <b>SE MATARÁ o LESIONARÁ GRAVEMENTE si no sigue las instrucciones del Manual del operador.</b>		
		
Risk of fire. Do not add fuel while the product is operating. <b>Risque d'incendie. Ne pas ajouter de carburant pendant l'utilisation de l'appareil.</b> <b>Riesgo de incendio. No agregue combustible cuando el producto está funcionando.</b>	Do not expose to rain or use in damp locations. <b>Ne pas exposer à la pluie ou l'humidité.</b> <b>No exponga a la lluvia ni use en lugares húmedos.</b>	Generator is a potential source of electric shock. Do not operate with wet hands or feet. <b>Le générateur est une source potentielle de chocs électriques. Ne pas exposer à l'humidité, la pluie ou la neige. Ne pas utiliser avec les mains ou les pieds mouillés.</b> <b>El generador es una fuente de descarga eléctrica. No lo exponga a humedad, la lluvia, ni a la nieve. No opere con manos o pies húmedos.</b>
Exhaust contains poisonous carbon monoxide gas that can cause unconsciousness or DEATH. Operate in well ventilated, outdoor areas away from open windows or doors. <b>L'échappement contient le gaz monoxyde de carbone toxique qui peut causer l'inconscience ou la MORT. Fonctionner dans les secteurs bien ventilés et extérieurs loin d'ouvre des fenêtres ou des portes.</b> <b>El escape contiene gas venenoso de monóxido de carbono que puede causar pérdida del conocimiento o MUERTE. Opere en áreas exteriores bien ventiladas lejos de puertas o ventanas abiertas.</b>		

# SYMBOLES

## Mise à la terre – avertissement

Le piquet de prise de terre ou le fil de cuivre n'est pas fourni avec cette génératrice. Appeler un électricien qualifié pour connaître les exigences locales de mise à la terre.

### ⚠ WARNING ⚠ AVERTISSEMENT ⚠ ADVERTENCIA

Product does not include ground rod or copper wire. Call a qualified electrician for local grounding requirements. Le produit ne comprend pas de piquet de terre ou de fil en cuivre. Appeler un électricien qualifié pour connaître les exigences locales de mise à la terre.

El producto no incluye el cable de cobre ni la barra de conexión a tierra. Comuníquese con un electricista calificado para todo lo relacionado con los requisitos de conexión a tierra.

940513030-02

## Avertissement concernant les surfaces brûlantes

Ne pas toucher le silencieux ou le cylindre en aluminium du moteur. Ils sont BRÛLANTS et peuvent causer de graves brûlures. Ne mettre aucun objet inflammable ou combustible sur le chemin direct de l'échappement.



## Avertissement un espace libre

Pendant le fonctionnement ou lors du rangement, allouez un espace libre de 91,4 cm (3 pi) de chaque côté et au-dessus de la génératrice. Laisser refroidir l'appareil au moins 30 minutes avant de le ranger. La chaleur créée par le tuyau et les gaz d'échappement peut être suffisamment chaude pour causer des brûlures graves ou enflammer des objets combustibles.

### ⚠ DANGER ⚠ DANGER ⚠ PELIGRO

Risk of Fire. Keep all objects at least 3 feet away from this machine. Heat from Muffler and Exhaust gases can ignite combustible objects.

Risque d'incendie. Éloigner tous les objets au moins de 91,4 cm (3 pi) de cet appareil. La chaleur du pot d'échappement et les gaz d'échappement peuvent enflammer les objets combustibles.

Riesgo de incendio. Mantener todos los objetos a una distancia mínima de 91,4 cm (3 pies) de esta máquina. El calor de los gases del silenciador y el escape pueden prender fuego a objetos combustibles.



940974089-04

## Pare-étincelles

L'utilisation de cet équipement peut créer des étincelles susceptibles d'enflammer la végétation sèche. Il peut être nécessaire d'utiliser un pare-étincelles. L'utilisateur doit communiquer avec le service local d'incendie pour connaître toutes les lois et tous les règlements portant sur les exigences en matière de prévention des incendies.

### ⚠ WARNING ⚠ AVERTISSEMENT ⚠ ADVERTENCIA

Operation of this equipment may create sparks that can start fires around dry vegetation. A spark arrester may be required. The operator should contact local fire agencies for laws or regulations relating to fire prevention requirements.

L'utilisation de cet équipement peut créer des étincelles susceptibles d'enflammer la végétation sèche. Il peut être nécessaire d'utiliser un pare-étincelles. L'utilisateur doit communiquer avec le service local d'incendie pour connaître toutes les lois et tous les règlements portant sur les exigences en matière de prévention des incendies.

El uso de este equipo puede producir chispas propensas a iniciar incendios cerca de vegetación seca. Es posible que se necesite un parachispas. El operador debe ponerse en contacto con las agencias contra incendios locales para conocer las leyes y regulaciones relacionadas con los requisitos de prevención de incendios.

## Avertissement au sujet du capuchon du réservoir d'essence

Ne jamais retirer le capuchon du réservoir d'essence pendant que l'appareil fonctionne. Éteindre le moteur et laisser refroidir l'appareil pendant au moins cinq minutes. Retirer lentement le capuchon afin de relâcher tout bâti de pression du système de carburant et éviter que la chaleur du silencieux n'enflamme les vapeurs d'essence

### ⚠ DANGER ⚠ PELIGRO



RISQUE D'INCENDIE ET DE BLESSURES GRAVES ; Ne jamais retirer le capuchon du réservoir d'essence pendant que l'appareil fonctionne. Éteindre le moteur et laisser refroidir l'appareil pendant au moins cinq minutes. Retirer lentement le capuchon.

RIESGO DE INCENDIOS Y LESIONES POR QUEMADURAS: Nunca retire la tapa de combustible mientras esté encendida la unidad. Apague el motor y deje enfriar la unidad durante al menos cinco minutos. Retire la tapa lentamente.

UTILISEZ UN STABILISATEUR DE CARBURANT POUR LE STOCKAGE  
EL USO DEL ESTABILIZADOR DE COMBUSTIBLE PARA EL ALMACENAMIENTO

# CARACTÉRISTIQUES ÉLECTRIQUES

## Taille du câble du cordon prolongateur

Voir le tableau ci-dessous pour vérifier que la taille de câble des cordons prolongateurs utilisés est capable de porter la charge requise. Des tailles de câbles inadéquates peuvent causer une chute de tension qui peut détériorer l'appareil et surchauffer le cordon.

Courant en ampères	Charge en watts		Longueur de cordon permise maximum				
	À 120 V	À 240 V	Fil de calibre 8	Fil de calibre 10	Fil de calibre 12	Fil de calibre 14	Fil de calibre 16
2,5	300	600		305 m (1 000 pieds)	183 m (600 pieds)	114 m (375 pieds)	76 m (250 pieds)
5	600	1 200		152 m (500 pieds)	91 m (300 pieds)	61 m (200 pieds)	38 m (125 pieds)
7,5	900	1 800		107 m (350 pieds)	61 m (200 pieds)	38 m (125 pieds)	31 m (100 pieds)
10	1 200	2 400		76 m (250 pieds)	46 m (150 pieds)	31 m (100 pieds)	15 m (50 pieds)
15	1 800	3 600		46 m (150 pieds)	31 m (100 pieds)	20 m (65 pieds)	
20	2 400	4 800	53 m (175 pieds)	38 m (125 pieds)	23 m (75 pieds)		
25	3 000	6 000	46 m (150 pieds)	31 m (100 pieds)			
30	3 600	7 200	38 m (125 pieds)	20 m (65 pieds)			
40	4 800	9 600	27 m (90 pieds)				

## Charges du moteur électrique

Les moteurs électriques courants en fonctionnement normal tirent jusqu'à six fois leur courant de fonctionnement lors du démarrage. Ce tableau peut être utilisé pour estimer les watts requis pour démarrer les moteurs électriques ; cependant, si un moteur électrique ne démarre pas ou n'atteint pas sa vitesse de fonctionnement, éteindre immédiatement l'appareil ou l'outil pour éviter d'endommager l'équipement. Toujours vérifier les exigences de l'outil ou de l'appareil utilisé par rapport à la sortie nominale du générateur.

Taille du moteur (ch)	Watts de fonctionnement	Watts requis pour le démarrage du moteur		
		Universel	Condensateur	Phase auxiliaire
1/8	275	N/A	850	1 200
1/6	275	600	850	2 050
1/4	400	800	1 050	2 400
1/3	450	950	1 350	2 700
1/2	600	1 000	1 800	3 600
3/4	850	1 200	2 600	—
1	1 100	N/A	3 300	—

## AVIS

**Vérifier la tension et la fréquence requises avant de brancher tout équipement électronique sur le générateur. Le générateur peut se trouver endommagé si les appareils branchés ne sont pas prévus pour fonctionner à une tension égale à  $\pm 10\%$  et une fréquence égale à  $\pm 3$  Hz de celles indiquées sur la plaque signalétique du générateur. Pour éviter tout dommage, toujours brancher une charge additionnelle sur le générateur lorsqu'un appareil à circuits intégrés (tel qu'un téléviseur) est utilisé. Une varistance peut être aussi nécessaire pour certaines applications, dans le cas d'un ordinateur, par exemple. Une varistance peut être aussi nécessaire pour certaines applications de l'équipement en solide.**

# CARACTÉRISTIQUES ÉLECTRIQUES

## Capacité du génératrice

S'assurer que le génératrice peut fournir les watts continus (de fonctionnement) et de surtension (démarrage) suffisants pour tous les articles alimentés au même moment. Suivre ces simples étapes.

1. Sélectionner les articles qui seront alimentés au même moment.
2. Faire le total des watts continus (de fonctionnement) de ces articles. Ceci correspond à la somme de puissance que le génératrice doit produire pour que ces articles puissent fonctionner. Voir le tableau de référence de wattage à droite.
3. Déterminer les watts de surtension (démarrage) nécessaires. Les watts de surtension correspondent à la courte pointe de puissance nécessaire pour démarrer les outils ou les appareils à moteur électriques, tels que les scies circulaires ou les réfrigérateurs. Les moteurs ne démarrant pas tous au même moment, le total des watts de surtension peut être déterminé en ajoutant uniquement les articles au wattage de surtension supplémentaire le plus élevé au wattage nominal total de l'étape 2.

### Exemple :

Outil ou appareil	Wattage continu*	Wattage de surtension
Réfrigérateur	700	780
Ventilateur portatif	40	120
Ordinateur portable	250	0
Téléviseur à écran plat de 116,8 cm (46 po)	190	0
Lampes (75 Watts)	75	0
	1 255 Wattage de fonctionnement total	780 Wattage de surtension maximum

Wattage continu total	1 255
Wattage de surtension supplémentaire max.	+ 780
Wattage de surtension totale requise	2035

## Gestion de l'énergie

Pour prolonger la durée de vie du génératrice et des appareils reliés, il est important d'effectuer l'ajout de charges électriques supplémentaires au génératrice avec soin. Rien ne doit être connecté aux sorties du génératrice avant le démarrage du moteur. Une gestion correcte et en toute sécurité de l'énergie du génératrice consiste à ajouter des charges en séquence :

1. Sans appareil connecté au génératrice, mettre le moteur en marche de la façon décrite dans ce manuel.

2. Brancher et mettre en marche la première charge, de préférence la plus importante.
3. Laisser la sortie du génératrice se stabiliser (le moteur tourne régulièrement et l'appareil relié fonctionne correctement).
4. Brancher et mettre la charge suivante en marche.
5. Une fois de plus, laisser le génératrice se stabiliser.
6. Répéter les étapes 4 et 5 pour chaque charge supplémentaire.

Ne jamais ajouter de charges supérieures à la capacité du génératrice. Bien veiller à considérer les charges de surtension comme décrit précédemment.

## AVIS

**Ne pas surcharger la capacité du génératrice. Le dépassement de la capacité du wattage/de l'ampérage du génératrice peut endommager le génératrice et/ou les appareils électriques qui lui sont reliés.**

Application/Equipo	Watts de fonctionnement estimé*	Watts démarrage estimé*
<b>Urgence / à la maison de secours</b>		
Lampes (qté. 4 x 75 W)	300	0
Réfrigérateur	600	780
Téléviseur à écran plat de 116,8 cm (46 po)	190	0
Récepteur satellite	250	0
Ventilateur portatif	40	120
Radiateur	1300	1300
Ordinateur portable	250	0
Mijoteuse	270	0
Radio	200	0
<b>Site de travail</b>		
Perceuse électrique – 10 mm (3/8 po)	440	600
Lampe de travail quartz-halogène	1000	0
Scie alternative	960	960
Scie circulaire – 184 mm (7-1/4 po)	1400	2300
Scie à onglet – 254 mm (10 po)	1800	1800
Compresseur à air - 1/4 ch	970	1600
Pulvérisateur sans air – 1/3 ch	600	1200

\*Les wattages indiqués sont approximatifs. Vérifier le wattage sur l'outil ou l'appareil.

# CARACTÉRISTIQUES

## Fiche technique

### Moteur

Type de moteur.....	212 cc, OHV
Remplacer la bougie .....	Torch F7TC ou équivalent
Volume de remplissage de lubrifiant .....	environ 0,53 l (18 oz)
Volume de carburant .....	12,49 l (3,3 galón)

\*Sortie nominale déterminé par la norme G300 de la PGMA

## Bien connaître le génératrice

Voir la figure 1.

L'utilisation sûre de ce produit exige une compréhension des renseignements figurant sur le produit et contenus dans le manuel d'utilisation, ainsi qu'une bonne connaissance du projet entrepris. Avant d'utiliser ce produit, se familiariser avec toutes ses caractéristiques et règles de sécurité.

### Prises de 120 V C.A.

La génératrice comprend deux prises monophasées de 60 Hz, 120 V c.a., 20 A et une prise RV de 120 V c.a., 30 A. Elles peuvent être utilisées pour le fonctionnement d'appareils, d'éclairage électrique, d'outils et de charges de moteur adéquats.

### Disjoncteur C.A.

Le disjoncteur est fourni pour protéger le génératrice contre les surcharges électriques. Appuyer sur le bouton du disjoncteur pour le réenclencher.

### Filtre à air

Le filtre à air permet de limiter la quantité de poussière et de saleté pénétrant dans l'unité lors du fonctionnement.

### Mode de marche au ralenti automatique

L'interrupteur de mode de marche au ralenti automatique est utilisé pour contrôler la vitesse du moteur et économiser le carburant. Lorsque l'interrupteur est réglé à la position « ON » (marche) et qu'aucun appareil n'est relié à l'unité, le moteur passe au mode de ralenti. Si un appareil est ajouté, la vitesse du moteur augmente pour le faire fonctionner. Si l'appareil est retiré, le moteur revient au mode de ralenti.

### Arrêt automatique

Le capteur de monoxyde de carbone de la génératrice est conçu pour surveiller le niveau de monoxyde de carbone présent pendant le fonctionnement de la génératrice. Si l'appareil est mal positionné et que les niveaux de monoxyde de carbone s'élèvent à un niveau dangereux, le voyant DEL sur le capteur clignotera en rouge et la génératrice arrêtera automatiquement. Quitter immédiatement la zone et vous rendre dans un lieu extérieur en plein air. Bien ventiler la zone avant d'occuper les lieux de nouveau. S'assurer que la génératrice est située dans un lieu extérieur en plein air, au moins 6 m (20 pi) toutes portes, fenêtres et espaces occupées, et placer l'évacuation à l'écart des structures occupées avant de redémarrer.

### Génératrice

Tension évaluée.....	120 V
Ampérage nominal .....	28,33 A
Tension c.c. évaluée .....	5 V
Courant nominal.....	2.1 A
Sortie nominale* .....	3 400 W
Watts démarrage.....	4 000 W
Fréquence nominale.....	60 Hz

**NOTE:** Suite à un événement d'arrêt, le voyant DEL continuera à clignoter en rouge pendant jusqu'à 5 minutes ou les niveaux de CO sont sécuritaires. Une fois la génératrice relocalisée et que les niveaux de CO sont sécuritaires, vous pouvez redémarrer la génératrice même si le voyant clignote encore.

### ECHO COMMAND™ avec Bluetooth®

Le système de surveillance ECHO COMMAND™ avec Bluetooth® suit le niveau de carburant, le temps de fonctionnement, le ralenti automatique et la charge.

### Levier marche / arrêt / étrangleur

Le commutateur du moteur est utilisé avec la poignée du lanceur afin de faire démarrer la génératrice. Pour arrêter le moteur, mettre le commutateur du moteur sur ARRÊT.

### Réservoir de carburant

Le réservoir de carburant a une contenance de 12,49 l (3,3 gal)

### Borne de terre

La borne de terre permet d'obtenir une bonne mise à la terre du génératrice pour la protection contre les chocs électriques. Consulter un électricien qualifié local pour connaître les exigences régionales de mise à la terre.

### Affichage DÉL

Les DÉL indiquent si la génératrice est utilisée ou en surcharge, ou s'il faut lui ajouter de l'huile.

### Protecteur d'arrêt en cas de bas niveau d'huile

L'indicateur de bas niveau d'lubrifiant clignote et le moteur s'arrête automatiquement lorsque le niveau d'lubrifiant est bas. Il ne faut pas redémarrer le moteur tant qu'une quantité suffisante d'lubrifiant n'aura pas été ajoutée dans la génératrice.

### Bouchon / jauge d'huile

Retirer le bouchon de remplissage d'huile pour vérifier le niveau d'huile et faire l'appoint selon le besoin.

### Huiler le bouchon d'égout

Lors de la vidange de lubrifiant moteur, la huiler le bouchon d'égout est retirée pour permettre à l'huile d'être vidangée.

# CARACTÉRISTIQUES

## Bouton de réarmement

Le bouton de réarmement est utilisé pour restaurer l'alimentation si une surcharge arrive. Pour restaurer l'alimentation, retirez la fin charge électrique ajoutée, puis appuyer sur le bouton reset (réinitialiser).

## ASSEMBLAGE

### Déballage

Ce produit doit être assemblé.

- Couper prudemment les côtés de la caisse puis sortir la machine et les accessoires de la caisse. S'assurer que toutes les pièces figurant sur la **Liste des pièces détachée** sont incluses.

**NOTE :** Cette machine est lourde et nécessite au minimum deux personnes pour être soulevée. Pour éviter des problèmes lombaires soulever avec les jambes, pas avec le dos et demander de l'aide lorsque nécessaire.

### AVERTISSEMENT

**Ne pas utiliser le produit si, en le déballant, vous constatez que des éléments figurant dans la Liste des pièces détachée sont déjà assemblés. Certaines pièces figurant sur cette liste n'ont pas été assemblées par le fabricant et exigent une installation. Le fait d'utiliser un produit qui a été assemblé de façon inadéquate peut entraîner des blessures.**

- Examiner soigneusement l'unité pour s'assurer que rien n'a été brisé ou endommagé en cours de transport.
- Ne pas jeter les matériaux d'emballage avant d'avoir soigneusement examiné le produit et vérifié qu'il fonctionne correctement.
- Si des pièces manquent ou sont endommagées, appeler le 1-800-432-ECHO (3246) pour obtenir de l'aide.

### AVERTISSEMENT

**Si falta o está dañada alguna pieza, no utilice este producto sin haber reemplazado la pieza. Usar este producto con partes dañadas o faltantes puede causar lesiones serias al operador.**

### AVERTISSEMENT

**Ne pas essayer de modifier ce produit ou de créer des accessoires non recommandés pour ce produit. De telles altérations ou modifications sont considérées comme un usage abusif et peuvent créer des conditions dangereuses pouvant entraîner des blessures graves.**

## Poignée du lanceur et corde

La poignée du lanceur et corde est utilisée (avec le levier marche / arrêt / étrangleur) pour mettre le générateur du moteur en marche.

## Ports USB

Deux ports de charge de 5 VCC, 2,1 ampères USB dédiés pour charger la plupart des dispositifs USB compatibles.

### AVERTISSEMENT

**Ne pas tenter d'utiliser le générateur avant d'avoir terminé l'assemblage. Le non-respect de cette instruction pourrait entraîner des blessures graves.**

## Liste des pièces détachée

Voir la figure 2.

Les articles suivants sont inclus avec le générateur :

### No. de

Pièce	Description	Qté.
1	Roue.....	2
2	Couvercle de roue.....	2
3	Essieu.....	2
4	Rondelles .....	2
5	Goupilles en épingle à cheveux .....	2
6	Support de pied .....	2
7	Boulon.....	4
8	Écrou frein.....	4
9	Lubrifiant moteur.....	1
	Entonnoir de papier (non illustré).....	1
	Manuel d'utilisation (non illustré) .....	1

## Outils nécessaires

Voir la figure 3.

Les outils suivants (non inclus ou dessiné pour escalader) sont nécessaires pour effectuer l'assemblage :

- Clés à douille et/ou clés mixte

**NOTE :** Ne pas mettre du carburant ou du lubrifiant dans la générateur avant d'installer les pieds et les roues.

## Fixer les pieds

Voir la figure 4.

- Localiser les pièces suivantes :

- 2 support de pied
- 4 écrou frein
- 4 boulon

- Insérer un boulon dans le support de la patte, puis dans le cadre, tel qu'illustré.

# ASSEMBLAGE

- Visser l'écrou frein sur le boulon et serrer un tour complet passé l'ajustement serré.

**NOTE : Faire attention à ne pas trop le serrer pour éviter que le pied ne s'écroule.**

- Répéter l'opération sur l'autre pied.

## Installation des roues

Voir la figure 5.

Les roues sont fournies pour aider à déplacer le génératrice à l'endroit désiré et doivent être installées du même côté que la poignée.

- Localiser les pièces suivantes :
  - 2 essieux
  - 2 axes de blocage
  - 2 couvercles des roues
  - 2 rondelles
  - 2 roues
- Relever l'extrémité du génératrice du côté du poignée à rappel suffisamment pour accéder au bas du cadre ; placer des cales en dessous pour obtenir un bon support.

- Glisser ce l'essieu dans le trou central de la roue.
- Glisser une rondelle sur l'essieu, puis glisser l'essieu dans le trou de montage de la roue, tel qu'illustré.
- Insérer une goupille d'attelage pour fixer solidement en place.

**NOTE :** La goupille d'attelage doit être poussée dans l'essieu jusqu'à ce que le centre de la goupille repose sur le dessus de l'essieu.

- Répéter la procédure pour l'autre roue.

## Rélever et abaisser la poignée

Voir la figure 6.

- Déployer la poignée, puis insérer la goupille dans les trous de la poignée et du cadre de la génératrice pour fixer solidement le tout.

Ne jamais utiliser la poignée pour soulever la génératrice. La poignée ne doit servir que pour rouler l'unité sur ses roues au moment du transport.

### Relâchement des poignées :

- Retirer la goupille de verrouillage de la poignée et abaisser la poignée.

# UTILISATION

## DANGER

**Monoxyde de Carbone. Utiliser une génératrice à l'intérieur d'un bâtiment CAUSERA LA MORT EN QUELQUES MINUTES.**

*Le tuyau d'échappement de la génératrice contient un niveau élevé de monoxyde de carbone (CO), lequel s'avère être un gaz poison inodore et invisible. Si vous pouvez sentir les gaz du tuyau d'échappement de la génératrice, vous respirez du CO. Mais, même si vous ne pouvez pas sentir les gaz provenant du tuyau d'échappement, vous pourriez être en train de respirer du CO.*

- **Ne jamais utiliser une génératrice à l'intérieur d'une maison, des garages, des petits espaces, ou autres aires restreintes partiellement fermées. Des niveaux mortels de monoxyde de carbone peuvent s'accumuler dans ces aires restreintes. Utiliser un ventilateur ou ouvrir une fenêtre ou les portes NE fournie PAS assez d'air frais à respirer.**
- **Utilisez SEULEMENT la génératrice à l'extérieur et loin des fenêtres ouvertes, des portes ouvertes, et des bouches d'aérations. Ces ouvertures peuvent tirer l'air provenant du tuyau d'échappement.**

**Même si vous utilisez une génératrice correctement, des gaz CO peuvent toujours s'infiltrer dans la maison. TOUJOURS utiliser une alarme de monoxyde de carbone à piles dans votre maison.**

**Si vous ressentez que vous commencez à être étourdi ou faible suite au fonctionnement de la génératrice, allez prendre l'air frais IMMÉDIATEMENT. Consultez un médecin. Vous pourriez avoir un empoisonnement au monoxyde de carbone.**



## AVERTISSEMENT

**NE JAMAIS ignorer un événement d'arrêt automatique. SI UN ARRÊT AUTOMATIQUE SURVIENT – VOUS DEVEZ quitter la zone immédiatement et vous rendre dans un lieu extérieur en plein air. Bien ventiler la zone avant d'occuper les lieux de nouveau. S'assurer que la génératrice est située dans un lieu extérieur en plein air, au moins 6 m (20 pi) toutes portes, fenêtres et espaces occupées. Toujours placer l'évacuation à l'écart des structures occupées. Ne jamais faire fonctionner la génératrice dans des zones fermées (par exemple dans une maison ou un garage). Le défaut de suivre ces instructions peut causer un empoisonnement de monoxyde de carbone (CO) qui peut entraîner la mort ou des blessures graves.**

## AVERTISSEMENT

**Le Code national de l'électricité n'exige pas que cette génératrice soit mise à la terre si elle est utilisée uniquement avec un équipement à cordon ou à connecteur mâle. Cependant, les autres méthodes utilisées avec cette génératrice nécessitent une mise à la terre afin de réduire le risque de décharge électrique et d'électrocution. Consulter un électricien qualifié, un inspecteur en électricité ou l'organisme local gérant les règlements locaux ou les lois afin de connaître les exigences de mise à la terre selon votre situation avant d'utiliser la génératrice.**

# UTILISATION

## AVERTISSEMENT

*La familiarité avec l'appareil ne doit pas faire oublier la vigilance. Ne pas oublier qu'une fraction de seconde d'inattention peut entraîner des blessures graves.*

## AVERTISSEMENT

*N'utiliser ni accessoires, ni outils non recommandés par le fabricant de ce produit. L'utilisation de pièces et accessoires non recommandés peut entraîner des blessures graves.*

## AVIS

*Ce produit est équipé d'un pare-étincelles qui a été évalué par le Service forestier des États-Unis; cependant, les utilisateurs du produit doivent respecter les réglementations locales et gouvernementales de lutte contre l'incendie. Consulter les autorités appropriées. Contacter le service à la clientèle ou un centre de réparations qualifié pour acheter un pare-étincelles de rechange.*

## AVIS

*Avant chaque utilisation, inspecter au complet le produit afin de s'assurer qu'aucune pièce (vis, écrous, boulons, chapeaux, etc.) n'est endommagée, manquante ou desserrée. Serrer solidement toutes les pièces de fixation et les chapeaux et ne pas utiliser le produit tant que toutes les pièces manquantes ou endommagées n'ont pas été remplacées. Se il vous plaît communiquer avec le service à la clientèle ou un centre de réparations qualifié.*

## Applications

Cé générateur est conçu pour fournir une alimentation électrique pour le fonctionnement d'éclairages, d'appareils, d'outils et de charges de moteur compatibles.

## Avant d'utiliser l'unité

- Utiliser seulement À L'EXTÉRIEUR et au moins à 6 m (20 pi) des loin de toutes fenêtres, portes ou bouches d'aération tel que recommandée par le Service de santé et les Centres pour le contrôle et la prévention des maladies américains. Le type de maison et les conditions du vent peuvent exiger une distance plus grande.
- NE JAMAIS utiliser à l'intérieur d'une maison ou d'un garage, MÊME SI les portes et les fenêtres sont ouvertes.
- Toujours poser la génératrice sur une surface stable et plate.

## Exigences particulières :

Il existe peut-être des règlements en matière de santé et sécurité au travail (OSHA aux É.-U.), des règlements ou lois locales s'appliquant à l'utilisation prévue de cette génératrice.

Veuillez consulter un électricien qualifié, un inspecteur en électricité ou un organisme local connaissant les codes et les règlements locaux :

- Certaines régions obligent l'enregistrement des génératrices auprès des entreprises de service locales.

- Des règlements additionnels peuvent être imposés lorsque la génératrice est utilisée sur un chantier de construction.

## Écran ACL ECHO COMMAND™

*Voir la figure 7.*

**NOTE :** L'écran ACL ne fonctionnera que si le moteur tourne.

**Niveau de carburant :** L'indicateur du niveau de carburant vous montrera combien de carburant il reste.

**Niveau de charge :** L'indicateur du niveau de charge vous montrera la charge connectée. Si la génératrice approche la capacité maximale de wattage et d'ampérage, l'indicateur clignotera. Si la capacité de charge est excédée, l'écran ACL affichera OVERLOAD (SURCHARGE). Pour réinitialiser la génératrice, retirez toutes les charges de la génératrice et appuyez sur le bouton de réinitialisation (voir la fig. 1). Rajoutez les charges à la génératrice une à la fois en prenant garde de ne pas excéder la puissance nominale de la génératrice.

**Temps de fonctionnement :** L'écran ACL affichera une approximation du temps de fonctionnement selon le niveau de carburant et la charge.

**Ralenti automatique :** L'écran ACL affichera si le ralenti est en marche ou non.

**Bluetooth® :** Lorsqu'il est jumelé, l'écran ACL indiquera si l'application ECHO COMMAND™ est connectée par Bluetooth®.

## Vérification / ajout de lubrifiant

*Voir la figure 8.*

## AVIS

**Une tentative de démarrage du moteur avant le remplissage en lubrifiant correct entraîne une panne de l'équipement.**

**NOTE :** Si un manuel du moteur est fourni avec ce produit, veuillez respecter les instructions présentés dans le manuel du moteur au lieu des informations ci-dessous.

Le lubrifiant moteur a une influence majeure sur la performance du moteur et la durée de service. De manière générale et pour toutes températures, de lubrifiant SAE 10W-30 est recommandée. Toujours utiliser une huile moteur à 4 temps conforme ou supérieure aux exigences de service SJ API.

Ce moteur est doté d'un dispositif qui arrête le moteur lorsque le niveau de lubrifiant est incorrect. Le moteur ne redémarre pas tant que le niveau de lubrifiant correct n'est pas atteint.

**NOTE :** Des lubrifiants moteur 2 temps non détergentes endommageront le moteur et ne doivent pas être utilisées.

- Dévisser le capuchon d'huile/la jauge et les retirer.
- Essuyer la jauge et l'insérer de nouveau dans le trou sans visser.
- Retirer une nouvelle fois la jauge et vérifier le niveau de lubrifiant. Le niveau de lubrifiant doit être compris entre les niveaux minimal et maximal indiqués sur la jauge.
- Si le niveau est faible, ajouter de lubrifiant moteur jusqu'à ce que le niveau se situe entre les niveaux minimal et maximal indiqués sur la jauge.
- Réinstaller et serrer le bouchon d'huile/la jauge.



# UTILISATION

## Utilisation de stabilisateur de carburant

Le carburant défraîchit, s'oxyde et se dégrade avec le temps. L'ajout de stabilisateur de carburant allonge la durée d'utilisation du carburant et permet d'éviter la formation de dépôts pouvant obstruer le circuit de carburant. Suivre les instructions du fabricant de stabilisateur de carburant pour le rapport stabilisateur/carburant correct.

- Mélanger le stabilisateur de carburant et le carburant avant de remplir le réservoir en utilisant un contenant à carburant ou tout autre récipient pour carburant approuvé et agiter légèrement pour bien mélanger.

**NOTE :** Pour maîtriser la quantité de stabilisateur de carburant à ajouter au moteur, toujours mélanger le stabilisateur de carburant et le carburant avant de remplir le réservoir plutôt qu'ajouter le stabilisateur de carburant directement dans le réservoir de carburant de la génératrice.

- Replacer et serrer le bouchon.
- Mettre le moteur en marche et le faire tourner pendant au moins 5 minutes pour que le stabilisateur pénètre dans tout le circuit de carburant.

## Carburants à base d'éthanol

### AVIS

**Ne pas utiliser d'essence E15 ou E85 dans ce produit. Une telle utilisation représente une violation de la loi fédérale et endommagera l'appareil et annulera la garantie. Utiliser seulement de l'essence sans plomb ne contenant pas plus de 10 % d'éthanol.**

## Ajout de carburant

Voir la figure 9.

### ⚠ DANGER

**Risque d'incendie et de blessures graves : Ne jamais retirer le capuchon du réservoir d'essence pendant que l'appareil fonctionne. Éteindre le moteur et laisser refroidir l'appareil pendant au moins cinq minutes. Retirer lentement le capuchon.**

### ⚠ AVERTISSEMENT

**L'essence et ses vapeurs sont extrêmement inflammables et explosives. Pour éviter blessures et dommages matériels, manipuler l'essence avec prudence. Garder à l'écart des sources d'allumage, manipuler en plein air uniquement, ne pas fumer lors de l'appoint de carburant et essayer immédiatement tout carburant répandu.**

Lors de l'appoint de carburant du générateur, vérifier que la machine se trouve sur une surface plane et horizontale. Si le moteur est très chaud, laisser le générateur refroidir avant d'ajouter de l'essence. TOUJOURS faire l'appoint de carburant à l'extérieur.

- Mettre le levier marche / arrêt / étrangleur en position **OFF (ARRÊT)**.
- Retirer lentement le bouchon du réservoir de carburant.
- Remplir le réservoir de carburant à 25,4 mm (1 po) en dessous du haut du goulot du réservoir de carburant.
- Replacer et serrer le bouchon.

### ⚠ AVERTISSEMENT

**Toujours arrêter le moteur avant de faire le plein de carburant. Ne jamais retirer le bouchon du réservoir d'essence lorsque le moteur tourne ou est chaud. S'assurer que l'unité repose sur une surface plane, à niveau et de remplir seulement à l'extérieur. Si le moteur est chaud, laisser refroidir l'unité pendant au moins cinq (5) minutes avant d'ajouter de l'essence. Remettre immédiatement le bouchon du réservoir d'essence et le serrer fermement. S'éloigner d'au moins 9 m (30 pi) du point de ravitaillement avant de lancer le moteur. Ne pas fumer, et rester à l'écart des flammes vives et des étincelles ! Ne pas respecter ces instructions représente un risque d'incendie et de blessures graves.**

**NOTE :** Toujours utiliser de l'essence sans plomb avec un indice d'octane de 86 ou plus. Ne jamais utiliser du carburant vieux, éventé ou contaminé et ne pas utiliser de mélange lubrifiant/carburant. Ne pas laisser la poussière ou l'eau pénétrer dans le réservoir de carburant. **Ne pas utiliser le carburant E85.**

## Mise en marche du moteur

Voir les figures 10 et 11.

### AVIS

**Sur une surface à niveau, avec le moteur sur arrêt, vérifier le niveau d'huile avant chaque utilisation du générateur.**

**NOTE :** Si l'emplacement de génératrice n'est pas à niveau, l'unité peut ne pas démarrer ou peut s'arrêter durant le fonctionnement.

- Débrancher toutes les charges du générateur.
- Mettre le levier marche / arrêt / étrangleur en position **START (DÉMARRAGE)**.

**NOTE :** Si le moteur est chaud ou que la température est supérieure à 10 °C (50 °F), Mettre le levier marche / arrêt / étrangleur en position **ON (MARCHE)**.

- Tirer la poignée de démarrage à rappel jusqu'à ce que le moteur démarre.

**NOTE :** Ne pas laisser la poignée repartir brusquement en arrière après le démarrage. La ramener doucement à sa place d'origine.

# UTILISATION

- Laisser le moteur tourner pendant 15 à 30 secondes et mettre le levier marche / arrêt / étrangleur en position **ON (MARCHE)**.

## Arrêt du moteur

Voir la figure 10.

**Pour arrêter le moteur dans des conditions de fonctionnement normales :**

- Retirer toute charge du génératrice.
- Mettre le levier marche / arrêt / étrangleur en position **OFF (ARRÊT)**.

**Pour arrêter le moteur en cas d'urgence :**

- Mettre le levier marche / arrêt / étrangleur en position **OFF (ARRÊT)**.

## AVERTISSEMENT

*Pendant le fonctionnement ou lors du rangement, allouez un espace libre de 91,4 cm (3 pi) de chaque côté et au-dessus de la génératrice. Laisser refroidir l'appareil au moins 30 minutes avant de le ranger. La chaleur créée par le tuyau et les gaz d'échappement peut être suffisamment chaude pour causer des brûlures graves ou enflammer des objets combustibles.*

## Jumeler la génératrice **Bluetooth®**

Voir la figure 12.

Installez l'application ECHO COMMAND™ de ECHO sur votre appareil iOS ou Android prenant en charge **Bluetooth®** afin de pouvoir voir et contrôler plusieurs des fonctions de la génératrice à partir de votre appareil.

- Dans le magasin d'applications de votre appareil iOS ou Android prenant en charge **Bluetooth®**, trouvez et installez l'application ECHO COMMAND™.
- Ouvrez l'application et suivez les instructions de l'application ECHO COMMAND™.

**NOTE :** Assurez-vous que la fonction **Bluetooth®** est activée sur votre appareil.

- Démarrez la génératrice. Appuyez sur le bouton « Push and Hold to Pair » (appuyez et maintenez pour jumeler) situé sous le panneau ACL de la génératrice et maintenez-le enfoncé jusqu'à ce que l'écran ACL affiche « Pairing Mode » (mode jumelage).

- L'écran ACL de la génératrice et l'application sur votre appareil indiqueront un jumelage réussi.

**NOTE :** Si la génératrice et l'application ne se jumellent pas, assurez-vous que l'écran affiche bien le mode jumelage pendant le processus de jumelage et que la fonction **Bluetooth®** est activée sur votre appareil.

- Appuyez sur l'icône de menu en haut à gauche de l'écran. Vous verrez les caractéristiques pouvant être contrôlées avec l'application.

## Déplacement du génératrice

Voir la figure 13.

- Éteindre le génératrice.
- Soulever la poignée en position verticale.
- Débrancher l'équipement qui est relié à la génératrice.
- S'assurer que le levier marche / arrêt / étrangleur sur en position **OFF (ARRÊT)**.
- Laisser la machine refroidir pendant environ 30 minutes avant de la remiser. S'assurer que le moteur et l'échappement de l'unité sont froids.
- Le pied sur l'arrière du cadre, incliner la machine vers soi, jusqu'à ce qu'elle soit en équilibre sur les roues, puis rouler la machine à l'endroit désiré.

## Fonctionnement à altitude élevée

Ce moteur est configuré en usine pour fonctionner à une altitude inférieure à 609,6 m (2 000 pi). Le moteur doit être reconfiguré s'il doit fonctionner à plus de 609,6 m (2 000 pi) d'altitude. Faire fonctionner le moteur n'ayant pas la configuration requise selon une altitude donnée représente un risque d'augmentation des émissions, de diminution de la consommation d'essence, d'appauvrir la performance en plus de causer des dommages permanents. Les moteurs configurés pour fonctionner à haute altitude ne peuvent pas être opérés selon des conditions d'altitudes habituelles. Un centre de réparations qualifié devrait pour assurer la bonne configuration du moteur selon l'endroit d'utilisation.

# ENTRETIEN

L'entretien normal, le remplacement ou la réparation des dispositifs du système antipollution doit être fait par un magasin de réparation ou un technicien qualifié possédant les pièces d'origine ou équivalentes. La garantie et les rappels pour réparations peuvent être faits par un centre de réparations autorisé; pour obtenir de l'aide, veuillez communiquer avec le service à la clientèle.

## AVERTISSEMENT

**Avant d'inspecter, nettoyer ou entretenir l'équipement, couper le moteur, attendre que toutes les pièces en mouvement s'arrêtent, déconnecter le fil de la bougie et l'écartier de la bougie. Laisser la machine refroidir pendant environ 30 minutes avant de procéder à un entretien. Le non-respect de ces instructions peut entraîner des blessures graves ou des dégâts matériels.**

## AVERTISSEMENT

**Lors de la réparation, utiliser seulement les pièces de rechange recommandées ou équivalentes. L'usage de toute autre pièce pourrait créer une situation dangereuse ou endommager l'outil.**

## AVERTISSEMENT

**NE PAS altérer, ajuster ou modifier le module à capteur de monoxyde de carbone (CO) de votre génératrice. Le défaut de suivre ces instructions peut causer un mauvais fonctionnement du moniteur ce qui peut entraîner la mort ou des blessures graves.**

## AVIS

**Inspecter périodiquement au complet le produit afin de s'assurer qu'aucune pièce (vis, écrous, boulons, chapeaux, etc.) n'est endommagée, manquante ou desserrée. Serrer solidement toutes les pièces de fixation et les chapeaux et ne pas utiliser le produit tant que toutes les pièces manquantes ou endommagées n'ont pas été remplacées. Veuillez communiquer avec le service à la clientèle ou un centre de réparations qualifié pour obtenir de l'aide.**

## Entretien général

Conserver le génératrice dans un environnement propre et sec sans exposition à la poussière, la saleté, l'humidité ou des vapeurs corrosives. Ne pas laisser les événements de refroidissement du génératrice s'obstruer avec des feuilles, de la neige, etc.

Ne pas utiliser un tuyau de jardinage pour nettoyer le génératrice. De l'eau pénétrant dans le circuit de carburant ou d'autres pièces internes de l'unité peut causer des problèmes réduisant la durée de vie du génératrice.

## Pour nettoyer l'unité :

- Utiliser une brosse à poils doux et/ou un aspirateur pour détacher et retirer la saleté et les débris.
- Nettoyer les événements à pression basse ne dépassant pas 25 psi.
- Essuyer les surfaces extérieures du génératrice avec un chiffon humide.

## Inspection / nettoyage du filtre à air

Voir la figure 14.

Pour assurer un fonctionnement correct et une longue vie utile, garder les filtre à air propres.

- Faire tourner le bouton vers la gauche pour libérer le couvercle. Retirer le couvercle et mettre de côté.
- Retirer les éléments du filtre à air.
- Si les éléments du filtre à air est sale, les nettoyer avec de l'eau savonneuse chaude. Rincer et laisser sécher.
- Appliquer une légère couche d'huile moteur sur les éléments puis l'essorer.
- Replacer le élément dans le filtre à air.
- Replacer le couvercle du filtre à air et tourner le bouton à droite pour serrer.

**NOTE :** S'assurer que le filtre est appuyés de façon appropriée à l'intérieur de la génératrice. Une installation incorrecte favorisera la pénétration de saleté dans le moteur, ce qui entraînera une usure rapide.

## Changement lubrifiant de moteur

Voir la figure 15.

Pour obtenir un rendement optimal, il est nécessaire de changer d'lubrifiant moteur toutes les 100 heures ou tous les six mois d'utilisation.

- Retirer le bouchon/jauge lubrifiant.
- Dévisser et retirer huiler le bouchon d'égout.
- Laisser le lubrifiant se vidanger complètement dans un contenant approuvé, en la drainant par l'orifice de remplissage.

**NOTE :** Vidanger lubrifiant pendant que le moteur est encore tiède mais pas brûlant. Lubrifiant tiède s'écoule plus rapidement et plus complètement.

## AVERTISSEMENT

**Ne pas changer le lubrifiant lorsque le moteur est chaud. Un contact accidentel avec le lubrifiant chaud pourrait causer de graves blessures.**

- Réinstaller la huiler le bouchon d'égout et bien serrer.
- Remplir de lubrifiant en suivant les instructions de la section **Vérification/ajout de lubrifiant**. Pour connaître le volume de remplissage d'huile, consulter les **Fiche technique** au début du manuel ou le manuel fourni avec le moteur, si nécessaire.
- Réinstaller et bouchon/jauge lubrifiant.

**NOTE :** Le lubrifiant usée doit être éliminée auprès d'un site approuvé. voir le détaillant d'huile local pour plus d'informations.

# ENTRETIEN

## Entretien de la bougie

Voir la figure 16.

L'écartement de la bougie doit être vérifié et la bougie doit être exempte de dépôts pour que le moteur fonctionne correctement. Pour vérifier :

- Retirer le capuchon de bougie.
- Nettoyer la saleté autour de la base de la bougie.
- Retirer la bougie à l'aide de la clé à bougie ou douille.
- Inspecter la bougie pour vérifier qu'elle n'est pas endommagée et la nettoyer avec une brosse métallique avant de la réinstaller. Si l'isolateur est fissuré ou écaillé, remplacer la bougie. Pour remplacer la bougie, consulter les **Fiche technique** au début du manuel ou le manuel fourni avec le moteur, si nécessaire.
- Mesurer l'écartement de la bougie. L'écartement correct est de 0,60–0,70 mm (0,024–0,028 po). Pour augmenter l'écartement, si nécessaire, courber avec précaution l'électrode de terre (supérieure). Pour réduire l'écartement, taper doucement l'électrode de terre sur une surface dure.
- Installer la bougie ; la visser à la main pour éviter de foirer le filetage.
- Serrer avec la clé pour comprimer la rondelle. Si la bougie est neuve, utiliser 1/2 tour pour comprimer la rondelle. Si elle est usée, utiliser 1/8 à 1/4 de tour pour comprimer la rondelle.

**NOTE :** Une bougie mal serrée devient très chaude et peut endommager le moteur.

- Installer le capuchon de bougie.

## Pare-étincelles

Voir la figure 17.

### AVIS

**Ce produit est équipé d'un pare-étincelles qui a été évalué par le Service forestier des États-Unis; cependant, les utilisateurs du produit doivent respecter les réglementations locales et gouvernementales de lutte contre l'incendie. Consulter les autorités appropriées. Contacter le service à la clientèle ou un centre de réparations qualifié pour acheter un pare-étincelles de rechange.**

Le pare-étincelles doit être nettoyé ou remplacé toutes les 50 heures de fonctionnement ou tous les ans pour assurer le rendement optimal du produit. L'emplacement du pare-étincelles diffère suivant le modèle. Contacter le concessionnaire le plus proche pour connaître l'emplacement du pare-étincelles sur le modèle utilisé.

### Pour nettoyer le pare-étincelles :

- Dévisser la vis du capuchon. Retirer le capuchon et pare-étincelles.
- Nettoyer le pare-étincelles à l'aide d'une brosse (non fourni).
- Remettez le pare-étincelles en place et serrez la vis.

## Vidange du réservoir de carburant/ carburateur

Voir la figure 18.

Afin de prévenir les dépôts de gommages dans le circuit de carburant, vidanger le carburant du réservoir et du carburateur avant de le remiser.

### Vidange du réservoir de carburant

- Mettre le levier marche / arrêt / étrangleur en position **OFF (ARRET)**.
- Retirer le conduit d'essence du raccord à tuyau cannelé en pressant les extrémités de l'étrier puis faire glisser le conduit d'essence pour le retirer.  
**NOTE :** S'assurer que la conduite de carburant située entre le robinet à essence et le carburateur est retirée, et **NON** la conduite située entre le robinet à essence et le réservoir à essence.
- Installer une extrémité du tuyau de vidange (non fourni) sur le raccord à tuyau cannelé et placer l'autre extrémité dans un récipient suffisamment large pour contenir le carburant vidangé.
- Mettre le levier marche / arrêt / étrangleur en position **RUN (MARCHE)**.
- Lorsque l'essence du réservoir a été vidée, placer le levier marche / arrêt / étrangleur à la position **OFF (ARRET)** et réinstaller correctement le conduit d'essence au raccord à tuyau cannelé.

### Vidange du carburant du carburateur

- Mettre le levier marche / arrêt / étrangleur en position **OFF (ARRET)**.
- Placer un récipient adapté sous la vis de vidange du carburateur pour recueillir le carburant ; desserrer la vis.
- Laisser le carburant se vidanger complètement dans le récipient.
- Resserrer la vis de vidange.

**NOTE :** Consulter les directives d'élimination des déchets locales pour éliminer le carburant correctement.

## Transport

- S'assurer que le levier marche / arrêt / étrangleur sur en position **OFF (ARRET)**.
- Laisser refroidir pendant 30 minutes avant de transporter l'outil. S'assurer que le moteur et l'échappement de l'unité sont froids.
- Ne pas faire chuter, heurter ou placer l'unité sous de lourds objets.
- Pour le transport à bord d'un véhicule, vider le réservoir de carburant, et arrimer solidement la génératrice.
- Installer une feuille de plastique ou un coussinet absorbant sous la génératrice pour recueillir toutes les gouttes d'essence ou de lubrifiant lors du rangement ou du transport.

# ENTRETIEN

## Remisage

Lors de la préparation du générateur pour le remisage, laisser l'appareil refroidir pendant 30 minutes puis suivre les instructions ci-dessous.

Durée du remisage	Avant le remisage
Moins d'2 mois	<ul style="list-style-type: none"><li>■ Vidanger l'essence du réservoir et la disposer dans un récipient adapté selon les règlements nationaux et locaux en vigueur.</li></ul>
2 mois à 1 an	<ul style="list-style-type: none"><li>■ Vidanger le carburant du carburateur.</li><li>■ Vidanger l'essence du réservoir et la disposer dans un récipient adapté selon les règlements nationaux et locaux en vigueur.</li></ul>
1 an ou plus	<ul style="list-style-type: none"><li>■ Vidanger le carburant du carburateur.</li><li>■ Retirer la bougie.</li><li>■ Vidanger l'essence du réservoir et la disposer dans un récipient adapté selon les règlements nationaux et locaux en vigueur.</li><li>■ Placer une cuillère à soupe de lubrifiant moteur dans le cylindre de la bougie. Faire tourner lentement le moteur avec le cordon pour répartir le lubrifiant.</li><li>■ Réinstaller la bougie.</li><li>■ Vidanger le lubrifiant moteur.</li></ul> Après le remisage : <ul style="list-style-type: none"><li>■ Remplir d'essence fraîche.</li></ul>

**NOTE : Si l'essence est entreposée dans un contenant adéquat pour une utilisation ultérieure, s'assurer qu'un stabilisateur de carburant est ajouté à l'essence conformément aux instructions de son fabricant.**

# ENTRETIEN

## Calendrier d'entretien

**NOTE :** Si un autre manuel du moteur est fourni avec cette génératrice, veuillez respecter le calendrier d'entretien présenté dans le manuel du moteur au lieu de suivre les instructions d'entretien décrites ci-dessous.

	Avant chaque utilisation	Après 1 mois ou 20 heures de fonctionnement	Tous les 3 mois ou 50 heures de fonctionnement	Tous les 6 mois ou 100 heures de fonctionnement	Chaque année ou toutes les 300 heures de fonctionnement
Vérifier l'huile moteur	■				
Changer l'huile moteur <sup>2</sup>		■		■	
Vérifier le filtre à air	■				
Nettoyer le filtre à air			■		
Remplacer le filtre à air <sup>2</sup>					■
Vérifier/régler l'écartement de la bougie				■	
Remplacer la bougie <sup>2</sup>					■
Vérifier/nettoyer le pare-étincelles				■	
Vérifier/régler le jeu des soupapes <sup>1,2</sup>					■
Nettoyer le réservoir de carburant et le filtre <sup>1,2</sup>				■	
Vérifier de tuyaux de carburant	■				■
Filtre à carburant	Inspecter				Remplacer
Vérifier tous raccords de tuyaux	■				■
Inspecter le évent de vapeur du réservoir de carburant (si présent)	■				■
Inspecter la boîte de carbone (modèles CARB seulement) <sup>3</sup>	■				■

1. Ceci ne doit être effectué que par un centre de réparations qualifié.

2. Consulter le manuel du moteur pour prendre connaissance du calendrier d'entretien de cet article.

3. Effectuez une vérification visuelle pour du dommage physique. Remplacez l'étui s'il présente des fissures, le port d'entrée ou de sortie s'il est brisé ou les languettes si elles sont brisées ou ne fonctionnent pas. Communiquez avec le service à la clientèle ou un détaillant autorisé pour de l'assistance.

**NOTE :** L'entretien doit être effectué plus fréquemment lorsque le génératrice est utilisé dans des zones poussiéreuses. Lorsque le génératrice a dépassé les valeurs maximum indiquées dans le tableau, l'entretien doit continuer à être effectué selon les intervalles ou aux fréquences indiqués.

# DÉPANNAGE

Problème	Cause possible	Solution
Le moteur ne démarre pas.	<p>Le levier marche / arrêt / étrangleur est sur <b>OFF</b> (arrêt).</p> <p>Le robinet de carburant est <b>OFF (arrêt)</b>.</p> <p>Pas de carburant.</p> <p>Carburant trop vieux ou présence d'eau dans le carburant.</p> <p>Niveau d'huile bas.</p> <p>Bougie défectueuse, encrassée ou mal écartée.</p> <p>Moteur remisé sans traitement ou vidange de l'essence, ou plein fait avec un mauvais carburant.</p> <p>Filtre à air encrassé.</p> <p>Le voyant DEL du capteur CO clignote en rouge indiquant un risque de CO.</p> <p>Le voyant DEL du capteur CO clignote en jaune et/ou émet un bip audible indiquant un défaut du capteur.</p>	<p>Mettre le levier marche / arrêt / étrangleur sur <b>RUN</b> (marche).</p> <p>Mettre le robinet de carburant sur <b>ON (MARCHE)</b>.</p> <p>Remplir le réservoir de carburant.</p> <p>Vidanger l'ensemble du système et remplir de carburant frais.</p> <p>Le moteur est équipé d'un arrêt en cas de bas niveau d'huile. Remplir le réservoir, si le niveau de lubrifiant du moteur est trop bas, avant de démarrer la génératrice. Vérifier le niveau d'huile moteur et faire l'appoint si nécessaire.</p> <p>Remplacer la bougie.</p> <p>Vidanger le carburant et le carburateur. Remplir d'essence fraîche.</p> <p>Contacteur un centre de réparations qualifié.</p> <p>Quitter immédiatement la zone et vous rendre dans un lieu extérieur en plein air. Bien ventiler la zone avant d'occuper les lieux de nouveau. S'assurer que la génératrice est située dans un lieu extérieur en plein air, au moins 6 m (20 pi) toutes portes, fenêtres et espaces occupées et placer l'évacuation à l'écart des structures occupées.</p> <p>Le capteur CO doit être réparé ou remplacé. Communiquer avec le Service à la clientèle ou un centre de réparation qualifié pour de l'aide.</p>
Moteur difficile à démarrer.	<p>Eau dans le carburant.</p> <p>Étincelle de bougie faible.</p>	<p>Vidanger l'ensemble du système et remplir de carburant frais.</p> <p>Contacteur un centre de réparations qualifié.</p>
Le moteur manque de puissance.	<p>Moteur remisé sans traitement ou vidange de l'essence, ou plein fait avec un mauvais carburant.</p> <p>Filtre à air encrassé.</p>	<p>Vidanger le carburant et le carburateur. Remplir d'essence fraîche. Si le problème persiste, contacter le centre de réparations qualifié le plus proche.</p> <p>Nettoyer ou remplacer selon le besoin.</p>
La prise c.a. ne fonctionne pas.	<p>L'appareil branché est défectueux.</p> <p>Le générateur est surchargé.</p> <p>Disjoncteur débranché.</p>	<p>Essayer un autre article.</p> <p>Enlever des chargements et appuyer le bouton de réarmement.</p> <p>Réinitialisez à nouveau le disjoncteur c.a.</p>
La prise c.c. ne fonctionne pas.	Disjoncteur débranché.	Réinitialisez à nouveau le disjoncteur c.c.

Si le problème persiste après avoir essayé les solutions ci-dessus, contacter le service à la clientèle ou un centre de réparations qualifié pour obtenir de l'aide.

## AVIS

Le propriétaire de cet équipement est tenu d'effectuer les entretiens requis indiqués dans la section *Entretien*. Il est recommandé de conserver tous les reçus d'entretien de votre équipement. La négligence ou l'oubli de procéder à l'entretien requis représente un risque d'augmentation des émissions, de diminuer le rendement énergétique, de nuire à la performance, créer des bris irréparables du moteur et de annuleront la garantie.

# GARANTIE

## Énoncé de la garantie limitée

ECHO Incorporated, garantit à l'acheteur original que ce produit d'extérieur de marque ECHO® est exempt de tous vices de matériaux ou de fabrication et s'engage à réparer ou remplacer gratuitement, à son choix, tout produit s'avérant défectueux au cours des périodes indiquées ci-dessous, à compter de la date d'achat.

- 3 ans consommateur
- 90 jours commerciale
- 90 jours pour une utilisation en location
- 90 jours accessoires et pièces de rechange

Cette garantie n'est offerte qu'à l'acheteur original et entre en vigueur à la date de l'achat original.

Toutes les pièces de ce produit qui, selon un jugement raisonnable de ECHO Incorporated s'avèrent être un défaut de fabrication ou de main-d'oeuvre sera réparé ou remplacé sans frais pour les pièces et la main-d'oeuvre par un concessionnaire ECHO autorisé. Les pièces de rechange et accessoires remplacés dans le cadre de cette garantie sont garantie pour le reste de la période de garantie initiale.

Le produit, y compris toutes les pièces défectueuses devront être retournés à un concessionnaire ECHO autorisé, avant expiration de la période de garantie. Les frais d'expédition au concessionnaire pour les travaux sous garantie et de retour au propriétaire du produit seront assumés par le propriétaire. En ce qui concerne les réclamations en garantie, la responsabilité ECHO Incorporated se limitera à la réparation ou au remplacement des produits défectueux et aucune revendication de rupture de garantie ne pourra causer l'annulation ou la résiliation du contrat de vente d'un produit d'extérieur de marque ECHO quel qu'il soit. Une preuve d'achat sera exigée par le centre de réparation, afin de valider toute réclamation au titre de la garantie. Toutes les réparations sous garantie devront être effectuées par un concessionnaire ECHO autorisé.

Cette garantie ne couvre pas les produits ayant fait l'objet d'un usage abusif ou négligent, d'un manque d'entretien, ayant été impliqués dans un accident ou employé de façon contraire aux instructions du Manuel d'utilisation. Cette garantie ne couvre ni les dommages aux produits résultant d'un manque d'entretien, ni les produits qui ont été altérés ou modifiés. La garantie exclut les réparations rendues nécessaires par l'usure normale ou l'utilisation de pièces et accessoires incompatibles avec le produit d'extérieur de marque ECHO ou nuisibles à son bon fonctionnement, ses performances ou sa durabilité. En outre, cette garanti exclut l'usure des articles normaux tels que, mais sans s'y limiter :

A. Mises au point – filtres à air, filtres à carburant, carburateurs, bougies d'allumage, filtres, vidanges d'huile

B. Composantes sujetos adeseaste – corde du lanceur, balais de moteur, balais d'alternateur, goupilles en épingle à cheveux, meules

**C. IMPORTANT : Certains composants n'étant pas couverts par cette garantie peuvent être couverts par une garantie distincte émise par le fabricant du moteur. veuillez consulter la garantie du fabricant du moteur (si c'est le cas) fournie avec ce produit pour en savoir plus.**

ECHO Incorporated se réserve le droit de modifier ou d'améliorer la conception de ce produit et n'assume aucune obligation de modification pour les produits fabriqués antérieurement.

LA DURÉE DE TOUTES LES GARANTIES IMPLICITES NE SAURAIT EN AUCUN CAS EXCÉDER LA PÉRIODE DE GARANTIE DÉCLARÉE. PAR CONSÉQUENT, TOUTES LES GARANTIES IMPLICITES, Y COMPRIS LES GARANTIES DE VALEUR MARCHANDE OU D'ADÉQUATION À UN USAGE PARTICULIER OU AUTRES SERONT INVALIDÉES À L'EXPIRATION DE LA PÉRIODE DE GARANTIE APPROPRIÉE DE TROIS ANS OU QUATRE-VINGT DIX JOURS. LES OBLIGATIONS DE ECHO INCORPORATED DANS LE CADRE DE CETTE GARANTIE SE LIMITENT EXCLUSIVEMENT À LA RÉPARATION OU AU REMPLACEMENT DES PIÈCES DÉFECTUEUSES ET ECHO INCORPORATED N'ASSUME OU N'AUTORISE QUICONQUE À ASSUMER QUELQUE AUTRE OBLIGATION QUE CE SOIT. CERTAINS ÉTATS ET PROVINCES NE PERMETTANT PAS DE LIMITATION DE DURÉE DES GARANTIES IMPLICITES, LES RESTRICTIONS CI-DESSOUS PEUVENT NE PAS ÊTRE APPLICABLES. ECHO INCORPORATED DÉCLINE TOUTE RESPONSABILITÉ EN CE QUI CONCERNE LES DOMMAGES DIRECTS, INDIRECTS OU AUTRES, Y COMPRIS, MAIS SANS S'Y LIMITER, LES FRAIS DE RETOUR DE PRODUITS À UN CENTRE DE RÉPARATIONS AUTORISÉ POUR LES PRODUITS D'EXTÉRIEUR DE MARQUE ECHO ET DE RENVOI AU PROPRIÉTAIRE, DE DÉPLACEMENT D'UN TECHNICIEN, DE TÉLÉPHONE OU TÉLÉGRAMME, DE LOCATION D'UN PRODUIT SIMILAIRE PENDANT LA DURÉE DES RÉPARATIONS SOUS GARANTIE, DE DÉPLACEMENT, DE PERTES OU DOMMAGES À DES BIENS PERSONNELS, DE MANQUE À GAGNER, DE PERTE D'USAGE DU PRODUIT, DE PERTE DE TEMPS OU DE DÉRANGEMENT. CERTAINS ÉTATS ET PROVINCES NE PERMETTANT L'EXCLUSION OU LA LIMITATION DES DOMMAGES DIRECTS OU INDIRECTS, LES RESTRICTIONS CI-DESSOUS PEUVENT NE PAS ÊTRE APPLICABLES.

Cette garantie donne au consommateur des droits spécifiques, et celui-ci peut bénéficier d'autres droits, qui varient selon les états ou provinces.

Cette garantie couvre tous les génératrices de marque ECHO fabriqués par ou pour ECHO Incorporated vendus aux États-Unis et au Canada.

Pour obtenir l'adresse du le plus proche concessionnaire ECHO autorisé, visite le [www.echo-usa.com](http://www.echo-usa.com) ou l'appeler le 1-800-432-ECHO (3246).

## ECHO Incorporated

400 Oakwood Rd.  
Lake Zurich, IL 60047  
1-800-432-ECHO (3246)  
[www.echo-usa.com](http://www.echo-usa.com)





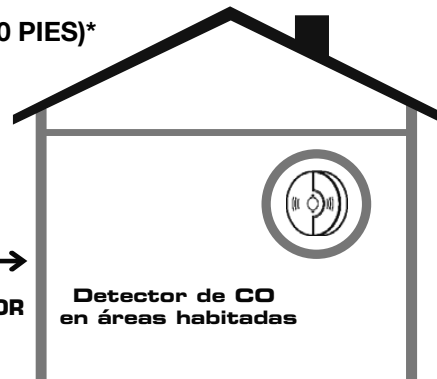
## UBIQUE EL GENERADOR A UNA DISTANCIA DE POR LO MENOS 6 M (20 PIES)\* PARA REDUCIR EL RIESGO DE QUE EL MONÓXIDO DE CARBONO INGRESE EN LA CASA

\* Distancia mínima recomendada por el Departamento de Salud y Servicios Humanos y por los Centros para el Control y la Prevención de Enfermedades de los Estados Unidos ([www.cdc.gov/co](http://www.cdc.gov/co)). Las condiciones particulares de su casa o del viento puede requerir una distancia adicional.



← MANTENGA UNA DISTANCIA DE POR LO MENOS 6 M (20 PIES)\* →

Utilícelo únicamente **EN EL EXTERIOR** y **ALEJADO** de ventanas, puertas y orificios de ventilación.



### ⚠ ADVERTENCIA

#### Conexión a tierra del generador

Si este generador se utiliza únicamente con aparatos conectados con cable y enchufe, el Código Eléctrico Nacional no exige que la unidad esté puesta a tierra. Sin embargo, si se usa el generador de otra forma, podría ser necesario ponerlo a tierra para reducir el riesgo de descargas eléctricas o electrocución. Antes de usar el generador, consulte a un electricista calificado, un inspector eléctrico o un organismo local que tenga jurisdicción para saber si es necesario ponerlo a tierra en su situación.

Si es necesario poner a tierra la unidad, deben utilizarse la tuerca y el terminal de conexión a tierra del bastidor para conectar el generador a una fuente apropiada de conexión a tierra. La conexión a tierra debe realizarse con alambre calibre N° 8. Conecte el terminal del alambre de conexión a tierra entre la arandela y la tuerca, y apriete firmemente la tuerca. Conecte el otro extremo del alambre firmemente a una fuente apropiada de conexión a tierra que esté en contacto con el suelo a lo largo de una distancia de al menos 2,4 m (8 pies).

El Código Eléctrico Nacional especifica varias maneras prácticas para establecer una buena fuente de conexión a tierra. Si se utiliza una barra de acero o de hierro, éste debe ser de 15,9 mm (5/8 pulg.) de diámetro, y si se utiliza una barra no ferrosa, ésta debe ser de 13 mm (1/2 pulg.) de diámetro como mínimo y estar listada como material adecuado para conexión a tierra. Si encuentra un estrato rocoso antes de llegar a una profundidad de 2,4 m (8 pies), clave la jabalina de puesta a tierra a un ángulo de a lo sumo 45°. Si aun así la jabalina se encuentra con el estrato rocoso, se la puede enterrar en una trinchera de al menos 75 cm (30 pulg.) de profundidad. En cualquier caso, el extremo superior de la jabalina debe estar al ras del suelo (o por debajo del rasante) o protegido de posibles daños físicos por otro medio.

Todas las herramientas eléctricas y aparatos alimentados por este generador deben conectarse apropiadamente a tierra mediante el uso de un tercer alambre o tener un diseño con "doble aislamiento".

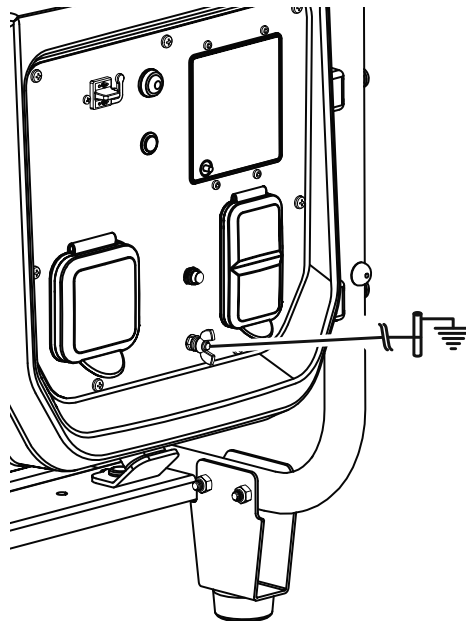
Se recomienda:

1. Usar dispositivos eléctricos con clavija de tres patillas conectada a tierra.
2. Para asegurar la continuidad de la protección a tierra del generador al dispositivo, utilice un cordón de extensión para uso a la intemperie con un receptáculo de tres orificios en un extremo y una clavija de tres patillas en el otro.

Revise y cumpla con todas las reglas federales, estatales y locales relevantes en relación con las especificaciones de conexión a tierra. Consulte a un electricista calificado o técnico de servicio si no ha comprendido completamente las instrucciones de conexión a tierra o si no está seguro si el generador está conectado a tierra correctamente.

#### Declaración de licencia de Bluetooth®

La marca y los logotipos Bluetooth® son marcas comerciales registradas de Bluetooth SIG, Inc. y cualquier uso de dichas marcas por TPTTL se realiza bajo licencia. Los demás nombres y marcas comerciales son propiedad de sus respectivos dueños.



# INSTRUCCIONES DE SEGURIDAD IMPORTANTES

## PELIGRO

**Monóxido de carbono. Usar un generador en el interior LO MATARÁ EN POCOS MINUTOS.**

**Los gases de escape del generador contienen niveles altos de monóxido de carbono (CO), un gas venenoso que no puede verse ni olerse. Si puede oler los gases de escape del generador, está respirando CO. Pero incluso si no puede oler los gases de escape, es posible que esté respirando CO.**

- **Nunca use un generador dentro de su hogar, garaje, sótano, ni demás espacios parcialmente en cerrados. En dichos espacios, pueden acumularse niveles mortales de monóxido de carbono. Usar un ventilador o abrir puertas y ventanas NO proporciona suficiente aire fresco.**
- **SÓLO utilice el generador al aire libre y lejos de ventanas, puertas y respiraderos abiertos. Estas aberturas pueden atraer los gases de escape del generador.**

**Incluso si utiliza el generador correctamente, el CO puede ingresar en su hogar. SIEMPRE utilice una alarma de CO de pilas o con pilas de respaldo en su hogar.**

**Si comienza a sentirse descompuesto, mareado o débil luego de que el generador estuvo funcionando, trasládese adonde haya aire fresco INMEDIATAMENTE. Vea a un doctor. Puede sufrir intoxicación por monóxido de carbono.**

## ADVERTENCIA

**Lea y comprenda todas las instrucciones. El incumplimiento de cualquiera de las instrucciones siguientes puede causar electrocución, incendio o intoxicación por monóxido de carbono, lo cual puede causar la muerte o lesiones graves.**

## ADVERTENCIA

**En ciertas aplicaciones, el Reglamento Nacional de Electricidad exige que el generador esté conectado a una tierra aprobada. Antes de utilizar la terminal de tierra, consulte a un electricista calificado, inspector de instalaciones eléctricas u organismo gubernamental de la localidad en lo referente a las reglas y disposiciones relacionadas con el uso deseado del generador.**

## Guarde estas instrucciones

Este manual contiene instrucciones importantes para este producto que debe ser seguido durante instalación y mantenimiento del generador.

- No conecte la unidad al sistema eléctrico de un edificio a menos que el generador y el interruptor de transferencia se hayan instalado correctamente y que un electricista calificado haya verificado la salida de energía eléctrica.

La conexión debe aislar la corriente del generador del servicio público y debe cumplir con todas las leyes y los códigos eléctricos pertinentes.

- No permita que utilicen esta unidad niños ni personas carentes de la debida instrucción para su manejo.
- No haga arrancar o funcionar el motor en un espacio confinado, de edificio, cerca de ventanas abiertas, o en otro área sin ventilación donde se puedan recolectar las emanaciones de monóxido de carbono. El monóxido de carbono, un gas incoloro, inodoro y sumamente peligroso, puede causar la pérdida de la conciencia o la muerte.
- Mantenga a todos los circunstantes, niños y animales por lo menos a 3 m (10 pies) de distancia.
- Use botas o zapatos robustos y secos. No utilice la unidad estando descalzo.
- No utilice este generador cuando se encuentre fatigado, enfermo o bajo los efectos de drogas, alcohol o medicamentos.
- Mantenga todas las partes del cuerpo alejadas de toda pieza móvil y superficie caliente de la unidad.
- No toque cables ni receptáculos desprovistos de aislamiento.
- No utilice el generador con cordones de corriente gastados, deshilachados, pelados o dañados de cualquier forma.
- Antes de guardar la unidad, deje que se enfríe el motor durante 30 minutos y retire el combustible de la unidad.
- No utilice o guarde el generador en la lluvia, nieve o tiempo húmedo.
- Guarde el generador en un lugar bien ventilado y con el tanque de combustible vacío. El combustible no se debe guardar cerca del generador.
- Antes de transportar la unidad en un vehículo, vacíe el tanque de combustible, ponga la válvula del combustible en la posición de apagado e inmovilice aquella.
- Coloque una lámina de plástico o una almohadilla absorbente debajo del generador para atrapar las gotas de combustible o lubricante cuando lo transporte.
- Para reducir el riesgo de incendio o de lesiones por quemadura, maneje con cuidado el combustible. Es sumamente inflamable.
- No fume mientras manipula el combustible.
- Almacene el combustible en un recipiente aprobado para gasolina.
- Coloque la unidad sobre el piso nivelado, apague el motor, y deje que se enfríe durante cinco minutos antes de reabastecerlo de combustible.
- Afloje la tapa del tanque de combustible para aliviar la presión y para evitar que se escape combustible por la tapa.
- Después de reabastecer de combustible la unidad ponga la tapa y apriétela firmemente.

# INSTRUCCIONES DE SEGURIDAD IMPORTANTES

- Limpie todo el combustible que se haya derramado de la unidad.
- Nunca intente en ninguna circunstancia eliminar el combustible derramado quemándolo.
- Los generadores vibran durante el uso normal. Durante y después del uso del generador, inspeccione el generador, así como los cordones de extensión y los cordones de corriente conectados a éste, para ver si tienen daños causados por la vibración. Deben repararse o reemplazarse los artículos dañados, según sea necesario. No use enchufes ni cordones que muestren señales de daño, como roturas o agrietamientos en el aislamiento, o daño en las espigas.
- Los generadores fijos instalados de manera permanente son la mejor alternativa para abastecer de electricidad al hogar durante los cortes de energía. Incluso los generadores portátiles que están conectados correctamente pueden sobrecargarse. De esta manera, los componentes del generador pueden recalentarse o exigirse demasiado, lo que podría producir una falla en el generador.
- Use únicamente repuestos y accesorios recomendados o equivalentes y siga las instrucciones descritas en la sección de *Mantenimiento* de este manual. El empleo de piezas no autorizadas o el incumplimiento de las instrucciones de mantenimiento puede significar un riesgo de descarga eléctrica o de lesiones.
- Mantenga la unidad según las instrucciones de mantenimiento señaladas en este manual del operador.
- Inspeccione cada vez la unidad antes de usarla para ver si tiene tornillos flojos, fugas de combustible, etc. Reemplace toda pieza dañada.

## REGLAS DE SEGURIDAD ESPECÍFICAS

### PELIGRO

**Riesgo de incendios y lesiones por quemaduras: Nunca retire la tapa de combustible mientras esté encendida la unidad. Apague el motor y deje enfriar la unidad durante al menos cinco minutos. Retire la tapa lentamente.**

### ADVERTENCIA

**Cuando este generador se utiliza para abastecer el sistema de cableado de un edificio: un electricista calificado debe instalar el generador, que debe conectarse a un interruptor de transferencia como un sistema derivado independiente, de conformidad con el Reglamento Nacional de Electricidad (NFPA 70). El generador se conectará a través de un interruptor de transferencia que controla todos los conductores, excepto el conductor de conexión a tierra del equipo. El bastidor del generador debe conectarse a un electrodo de conexión a tierra aprobado. Si no se aísla el generador de las líneas de alto voltaje puede causarse la muerte o lesiones a los trabajadores de dichas líneas.**

- No utilice este generador para suministrar energía a dispositivos de soporte vital o equipos médicos de emergencia.
- Este generador tiene un punto neutro flotante. Esto significa que el conductor neutro no está conectado por vías eléctricas al marco de la máquina.
- Siempre use un detector de monóxido de carbono de baterías al utilizar el generador. Si comienza a sentirse mal, mareado o débil al estar utilizando el generador, apáguelo y respire aire fresco de inmediato. Vea a un doctor. Puede sufrir intoxicación por monóxido de carbono.
- Coloque el generador en una superficie estable horizontal con una pendiente de no más de 4°.
- Utilice la unidad al aire libre en un área bien ventilada e iluminada, aislada de las áreas de trabajo para evitar la interferencia del ruido.
- Si se utiliza el generador en condiciones húmedas, puede causarse una electrocución. Mantenga seca la unidad.
- Mantenga el generador a una distancia mínima de 1 m (3 pies) de todo tipo de material combustible.
- No utilice el generador cerca de materiales peligrosos.
- No utilice el generador en una estación de abastecimiento de gasolina o gas natural.
- No toque el silenciador ni el cilindro durante el funcionamiento de la unidad ni inmediatamente después; están CALIENTES y causan lesiones por quemadura.
- No permita que se derrame el tanque del generador al abastecerlo de gasolina. Llénelo hasta una altura de 25,4 mm (1 pulg.) abajo del cuello del tanque de gasolina para permitir la expansión del combustible. Revise el orificio de ventilación del interior del tanque de combustible para ver si tiene basura. No bloquee el respiradero.
- No fume mientras abastece de gasolina el generador.
- Apague el motor y déjelo enfriar por 5 minutos antes de agregar gasolina o lubricante al generador.
- No retire la varilla de nivel de aceite ni la tapa del tanque del combustible mientras esté funcionando el motor.
- Preste atención en particular a todas las etiquetas de seguridad adheridas al generador.
- En todo momento mantenga a los niños a una distancia mínima de 3 m (10 pies) del generador.




# REGLAS DE SEGURIDAD ESPECÍFICAS

---










- La unidad funciona mejor a una temperatura entre -5 y 40 °C (23 y 104 °F) con una humedad relativa de 90% o menos.
- El requerimiento de voltaje y frecuencia operativa de todos los equipos electrónicos debe comprobarse antes de enchufarlos a este generador. Pueden ocurrir daños si el equipo no está diseñado para operar dentro de una variación de voltaje de +/-10% y una variación de frecuencia de +/-3 hz de los valores nominales que aparecen en la placa de identificación del generador.
- Para el uso en el exterior solamente.
- NUNCA ignore un evento de apagado automático. SI SE PRODUCE EL APAGADO AUTOMÁTICO, DEBE abandonar el lugar de inmediato y dirigirse a un área al aire libre. Ventile bien el área antes de volver a ocuparla. Asegúrese de que el generador esté ubicado en un lugar al aire libre, a una distancia de, al menos, 6, m (20 pies) de todas las puertas, ventanas y espacios ocupadas. Siempre dirija el escape hacia fuera de estructuras ocupadas. Nunca haga funcionar el generador en áreas cerradas (p. ej., en una casa o un garaje). Si no sigue estas instrucciones, podría intoxicarse por inhalación de monóxido de carbono (CO), lo que puede resultar en la muerte o en lesiones graves.
- El sensor de monóxido de carbono del generador no está diseñado para detectar humo, incendio ni otros gases. Solo se activará debido a la presencia de gas de monóxido de carbono en el sensor. El gas de monóxido de carbono puede estar presente en otras áreas.
- La función de apagado por monóxido de carbono del generador no sustituye las prácticas seguras con respecto al generador. Opere siempre el generador en lugares al aire libre, a una distancia de, al menos, 6,10 m (20 pies) de estructuras ocupadas. Nunca use el generador en lugares total o parcialmente cerrados o cerca de ventanas abiertas, puertas y otros espacios no ventilados.
- NO altere, ajuste ni modifique el módulo del sensor de monóxido de carbono (CO) de su generador. Si no sigue estas instrucciones, el monitor podría no funcionar correctamente, lo que puede resultar en la muerte o lesiones personales graves.
- Guarde estas instrucciones. Consúltelas con frecuencia y empléelas para instruir a otras personas que puedan utilizar esta producto. Si presta a alguien esta producto, facilítele también las instrucciones.

# SÍMBOLOS

Las siguientes palabras de señalización y sus significados tienen el objeto de explicar los niveles de riesgo relacionados con este producto.

Símbolo	Señal	Significado
	<b>PELIGRO</b>	Indica una situación peligrosa, la cual, si no se evita, causará la muerte o lesiones serias.
	<b>ADVERTENCIA</b>	Indica una situación peligrosa, la cual, si no se evita, podría causar la muerte o lesiones serias.
	<b>PRECAUCIÓN</b>	Indica una situación peligrosa, la cual, si no se evita, podría causar lesiones menores o leves.
	<b>AVISO</b>	(Sin el símbolo de alerta de seguridad) Indica la información que se considera importante, pero no relacionada con lesiones potenciales (por ej. en relación a daños a la propiedad).

Es posible que se empleen en esta producto algunos de los siguientes símbolos. Le suplicamos estudiarlos y aprender su significado. Una correcta interpretación de estos símbolos le permitirá utilizar mejor y de manera más segura la producto.

Símbolo	Nombre	Denominación/Explicación
	Alerta de seguridad	Indica un peligro posible de lesiones personales.
	Lea el manual del operador	Para reducir el riesgo de lesiones, el usuario debe leer y comprender el manual del operador antes de usar este producto.
	Alerta de condiciones húmedas	No exponga la unidad a la lluvia ni la use en lugares húmedos.
	Descarga eléctrica	Si no se usa la unidad en condiciones secas y no se observan prácticas seguras de trabajo, puede producirse una descarga eléctrica.
	Emanaciones tóxicas	Con el funcionamiento del generador se emite monóxido de carbono, un gas tóxico incoloro e inodoro. Si se inhala monóxido de carbono puede causarse náusea, desmayo o la muerte.
	Fuego/Explosión	El combustible y los vapores del mismo son extremadamente inflamables y explosivos. El fuego o una explosión pueden causar quemaduras graves e incluso la muerte.
	Superficie caliente y gases de escape	Para reducir el riesgo de lesiones corporales o daños materiales evite tocar toda superficie caliente y no coloque partes del cuerpo en la trayectoria de los gases de escape.
	Peligro al levantar	Para reducir el riesgo de lesiones serias, evite intentar levantar el generador usted solo.
	Conexión a tierra	Consulte a un electricista de la localidad para determinar los requisitos de conexión a tierra antes de utilizar la unidad.
V	Voltios	Voltaje
A	Amperios	Corriente
Hz	Hertz	Frecuencia (ciclos por segundo)
W	Watt	Potencia

# SÍMBOLOS

Es posible que se empleen en esta producto algunos de los siguientes símbolos. Le explicamos estudiarlos y aprender su significado. Una correcta interpretación de estos símbolos le permitirá utilizar mejor y de manera más segura la producto.

Símbolo	Nombre	Denominación/Explicación
hrs	Horas	Tiempo
gal	Galón	Volumen
qt	Cuarto	Volumen

## Etiquetas de seguridad

La siguiente información puede encontrarse en el generador. Para su propia seguridad, le sugerimos estudiar y entender todas la etiquetas antes de poner marcha el generador.

Si se desprende de la unidad cualquiera de las etiquetas o se vuelven ilegibles, comuníquese con algún centro de servicio calificado para obtener un reemplazo.

- **SE MATARÁ o LESIONARÁ GRAVEMENTE** si no sigue las instrucciones del Manual del operador.
- **Riesgo de incendio.** No agregue combustible cuando el producto esté funcionando.
- El generador es una fuente potencial de descarga eléctrica. No lo exponga a humedad, la lluvia nin a la nieve. No opere con manos o pies húmedos.
- El escape contiene gas venenoso de monóxido de carbono que puede causar pérdida del conocimiento a la MUERTE. Opere en áreas exteriores bien ventiladas lejos de puertas o ventanas abiertas.
- No exponga la unidad a la lluvia ni la use en lugares húmedos.
- Usar un generador en el interior **PUEDE MARTARLO EN POCOS MINUTOS.** Los gases de escape del generador contienen monóxido de carbono. Es un veneno que no puede verse ni olerse.
- **NUNCA** lo use dentro de su hogar o del garaje, **INCLUSO** con las puertas y las ventanas abiertas.

- Sólo utilícelo **AL AIRE LIBRE** y lejos de ventanas, puertas y respiraderos.

## Sensor de monóxido de carbono (CO)

En caso de peligro de monóxido de carbono, el LED del sensor destellará en color rojo y el generador se apagará. Abandone el área de inmediato y vaya a un lugar al aire libre. Ventile bien el área antes de volver a ocuparla. Asegúrese de que el generador esté ubicado en un lugar al aire libre, a una distancia de, al menos, 6 m (20 pies) de todas las puertas, ventanas y espacios ocupadas. Siempre dirija el escape hacia fuera de estructuras ocupadas. Nunca opere el generador en lugares cerrados (p. ej., en una casa o un garaje).

**NO** altere, ajuste ni modifique el módulo del sensor de monóxido de carbono (CO) de su generador.

<b>⚠ DANGER</b>	<b>⚠ DANGER</b>
Using a generator indoors <b>CAN KILL YOU IN MINUTES.</b> Generator exhaust contains carbon monoxide. This is a poison you cannot see or smell.	L'utilisation d'une génératrice à l'intérieur <b>PEUT VOUS TUER EN QUELQUES MINUTES.</b> Les génératrices produisent du monoxyde de carbone, un gaz mortel incolore et inodore. <b>NE JAMAIS</b> utiliser à l'intérieur d'une maison ou d'un garage. <b>MÊME</b> Si les portes et les fenêtres sont ouvertes. Utiliser uniquement à l'EXTÉRIEUR et loin des fenêtres, des portes et des événements.
<b>⚠ PELIGRO</b>	<b>⚠ PELIGRO</b>
NEVER use inside a home or garage, <b>EVEN IF</b> doors and windows are open.	Usar un generador en el interior <b>PUEDE MATARLO EN POCOS MINUTOS.</b> Los gases de escape del generador contienen monóxido de carbono. Es un veneno que no puede verse ni olerse. <b>NUNCA</b> lo use dentro de su hogar o del garaje, <b>INCLUSO</b> con las puertas y las ventanas abiertas. Sólo utilícelo <b>AL AIRE LIBRE</b> y lejos de ventanas, puertas y respiraderos.
<b>⚠ PELIGRO</b>	<b>⚠ PELIGRO</b>
Only use <b>OUTSIDE</b> and far away from windows, doors, and vents.	Utiliser uniquement à l'EXTÉRIEUR et loin des fenêtres, des portes et des événements.

<b>⚠ WARNING</b>	<b>⚠ AVERTISSEMENT</b>	<b>⚠ ADVERTENCIA</b>
<b>IF AUTOMATIC SHUTOFF OCCURS - YOU MUST:</b> Leave the area immediately and relocate to an open, outdoor area. Ventilate the area thoroughly before occupying again. Generators should be located in an open, outdoor area at least 20 feet away from all doors, windows and occupied spaces. Always point exhaust away from occupied structures. Do not use generator in a house or garage. Failure to follow these instructions can lead to carbon monoxide (CO) poisoning and death or result in DEATH or SERIOUS INJURY.	<b>SI L'ARRÊT AUTOMATIQUE SE PRODUIT, VOUS DEVEZ:</b> Quitter immédiatement la zone et vous rendre dans un lieu extérieur en plein air, bien ventiler la zone avant d'occuper les lieux de nouveau. Assurer que la génératrice est située dans un lieu extérieur en plein air au moins 6 m (20 pi) des portes, fenêtres et espaces occupés. Toujours diriger l'échappement à l'écart des structures occupées. Jamais dans une maison ou un garage. Le défaut de suivre ces instructions peut causer un empoisonnement au monoxyde de carbone (CO) qui peut entraîner la mort ou des blessures graves.	<b>SI OCURRE EL CIERRE AUTOMÁTICO, DEBE:</b> Abandonar el área de inmediato y vaya a un lugar al aire libre. Ventile bien el área antes de volver a ocuparla. Asegúrese de que el generador se encuentre a una distancia de, al menos, 6 m (20 pies) de puertas, ventanas y espacios ocupados. Siempre dirija el escape hacia fuera de estructuras ocupadas. Nunca haga funcionar el generador en una casa o un garaje. Si no sigue estas instrucciones, podría producirse intoxicación por monóxido de carbono (CO), lo que puede resultar en la MUERTE o en lesiones graves.
<b>+</b>	<b>+</b>	<b>+</b>
<b>IF YOU FEEL SICK, DIZZY OR WEAK, SEEK MEDICAL HELP IMMEDIATELY.</b>	<b>SI VOUS VOUS SENTÉZ MALADE, ÉTOURDI OU AFFAIBLI, CONSULTEZ UN MÉDECIN IMMÉDIATEMENT.</b>	<b>SI SE SIENTE ENFERMO, MAREADO O DÉBIL, BUSQUE ASISTENCIA MÉDICA DE INMEDIATO.</b>

## Advertencia de combustible

No fume al abastecer el combustible. No llene de más. El nivel de lleno es 25,4 mm (1 pulg.) debajo del cuello del tanque de combustible. Pare la marcha del motor cinco minutos antes del reabastecimiento de combustible para evitar que el calor del silenciador encienda los vapores de combustible.

<b>⚠ DANGER</b>	<b>⚠ DANGER</b>	<b>⚠ PELIGRO</b>
Risk of Fire. Check for any fuel overflow or leaking. Stop the engine before refueling. <b>Risque d'incendie. Vérifier l'absence de débordement ou de fuite de carburant. Arrêter le moteur avant de faire le plein.</b>		
Riesgo de incendio. Revise si hay algún derrame o fuga de combustible. Apague el motor antes de poner combustible.		
<small>9402974007-06</small>		

## Advertencia del lubricante de motor

Antes de utilizar el generador debe abastecerlo de lubricante. Antes de utilizar la unidad, revise el nivel de lubricante. El nivel de lubricante siempre debe estar entre las áreas cubierta con rayas entrecruzadas de la varilla de nivel. La unidad está equipada de un sensor, el cual apaga automáticamente el motor si el nivel de lubricante desciende abajo del límite de seguridad.

<b>NOTICE AVIS AVISO</b>	<b>CHECK LUBRICANT</b>
Add lubricant to full mark to start. Engine will not start or will shut off if sensor detects low lubricant level. • Ajouter de lubrifiant jusqu'au repère de remplissage pour démarrer. Le moteur ne démarra pas ou s'arrêtera si le capteur détecte le niveau de lubrifiant faible. • Añadir lubricante hasta la marca de lleno para arrancar. El motor no arranca o se apaga si sensor detecta el nivel de lubricante de baja.	

<b>⚠ DANGER</b>	<b>⚠ DANGER</b>	<b>⚠ PELIGRO</b>
You <b>WILL</b> be <b>KILLED</b> or <b>SERIOUSLY HURT</b> if you do not follow the Operator's Manual instructions. <b>NE PAS PROCÉDER</b> de la manière décrite dans ce Manuel d'utilisation entraînera des <b>BLESSURES GRAVES</b> voire la <b>MORT</b> . <b>SE MATARÁ o LESIONARÁ GRAVEMENTE</b> si no sigue las instrucciones del Manual del operador.		
Risk of fire. Do not add fuel while the product is operating. <b>Risque d'incendie. Ne pas ajouter de carburant pendant l'utilisation de l'appareil.</b>	Risk of fire. Do not add fuel while the product is operating. <b>Risque d'incendie. Ne pas ajouter de carburant pendant l'utilisation de l'appareil.</b>	Do not expose to rain or use in damp locations. <b>Ne pas exposer à la pluie ou l'humidité.</b>
Generator is a potential source of electric shock. Do not operate with wet hands or feet. <b>Le générateur est une source potentielle de chocs électriques. Ne pas exposer à l'humidité, la pluie ou la neige. Ne pas utiliser avec les mains ou les pieds mouillés.</b>		
Exhaust contains poisonous carbon monoxide gas that can cause unconsciousness or DEATH. Operate in well ventilated, outdoor areas away from open windows or doors. <b>L'échappement contient le gaz monoxyde de carbone toxique qui peut causer l'inconscience ou la MORT. Fonctionner dans les secteurs bien ventilés et extérieurs loin d'ouvrés des fenêtres ou des portes.</b>		
El escape contiene gas venenoso de monóxido de carbono que puede causar pérdida del conocimiento o MUERTE. Opere en áreas exteriores bien ventiladas lejos de puertas o ventanas abiertas.		

# SÍMBOLOS

## Advertencia acerca de la conexión a tierra

Este generador no incluye un cable de cobre ni una jabalina de puesta a tierra. Consulte con un electricista calificado para conocer los requisitos locales de puesta a tierra.

## Advertencia de superficie caliente

No toque el silenciador ni el cilindro de aluminio del motor. Están muy CALIENTES y causan quemaduras graves. No ponga ningún partes del cuerpo o material inflamable o combustible directamente en la trayectoria de las emanaciones del escape.

## Advertencia de espacio libre

Tanto en funcionamiento como al guardarlo, mantenga siempre 91,4 cm (3 pies) de espacio libre en todos los laterales de este producto, incluida la parte superior. Espere al menos 30 minutos para el equipo se enfríe antes de guardarlo. El calor generado por el silenciador y los gases de escape puede ser suficiente para causar quemaduras graves y/o prender fuego a objetos combustibles.

## Parachispas

El uso de este equipo puede producir chispas propensas a iniciar incendios cerca de vegetación seca. Es posible que se necesite un parachispas. El operador debe ponerse en contacto con las agencias contra incendios locales para conocer las leyes y regulaciones relacionadas con los requisitos de prevención de incendios.

## Advertencia para la tapa del tanque de combustible

Nunca retire la tapa de combustible mientras esté encendida la unidad. Apague el motor y deje enfriar la unidad durante al menos cinco minutos. Quite la tapa lentamente para liberar la presión que se haya acumulado en el sistema de combustible y para evitar que el calor del silenciador provoque la ignición de los vapores del combustible.

### ⚠ WARNING ⚠ AVERTISSEMENT ⚠ ADVERTENCIA

Product does not include ground rod or copper wire. Call a qualified electrician for local grounding requirements. Le produit ne comprend pas de piquet de terre ou de fil en cuivre. Appeler un électricien qualifié pour connaître les exigences locales de mise à la terre.

El producto no incluye el cable de cobre ni la barra de conexión a tierra. Comuníquese con un electricista calificado para todo lo relacionado con los requisitos de conexión a tierra.

940513030-02



### ⚠ DANGER ⚠ DANGER ⚠ PELIGRO

Risk of Fire. Keep all objects at least 3 feet away from this machine. Heat from Muffler and Exhaust gases can ignite combustible objects.

Risque d'incendie. Éloigner tous les objets au moins de 91,4 cm (3 pi) de cet appareil. La chaleur du pot d'échappement et les gaz d'échappement peuvent enflammer les objets combustibles.

Riesgo de incendio. Mantener todos los objetos a una distancia mínima de 91,4 cm (3 pies) de esta máquina. El calor de los gases del silenciador y el escape pueden prender fuego a objetos combustibles.



### ⚠ WARNING ⚠ AVERTISSEMENT ⚠ ADVERTENCIA

Operation of this equipment may create sparks that can start fires around dry vegetation. A spark arrestor may be required. The operator should contact local fire agencies for laws or regulations relating to fire prevention requirements.

L'utilisation de cet équipement peut créer des étincelles susceptibles d'enflammer la végétation sèche. Il peut être nécessaire d'utiliser un pare-étincelles. L'utilisateur doit communiquer avec le service local d'incendie pour connaître toutes les lois et tous les règlements portant sur les exigences en matière de prévention des incendies.

El uso de este equipo puede producir chispas propensas a iniciar incendios cerca de vegetación seca. Es posible que se necesite un parachispas. El operador debe ponerse en contacto con las agencias contra incendios locales para conocer las leyes y regulaciones relacionadas con los requisitos de prevención de incendios.

940047025-01

### ⚠ DANGER ⚠ PELIGRO



RISQUE D'INCENDIE ET DE BLESSURES GRAVES ; Ne jamais retirer le capuchon du réservoir d'essence pendant que l'appareil fonctionne. Éteindre le moteur et laisser refroidir l'appareil pendant au moins cinq minutes. Retirer lentement le capuchon.

RIESGO DE INCENDIOS Y LESIONES POR QUEMADURAS: Nunca retire la tapa de combustible mientras esté encendida la unidad. Apague el motor y deje enfriar la unidad durante al menos cinco minutos. Retire la tapa lentamente.

UTILISEZ UN STABILISATEUR DE CARBURANT POUR LE STOCKAGE  
EL USO DEL ESTABILIZADOR DE COMBUSTIBLE PARA EL ALMACENAMIENTO



# ASPECTOS ELÉCTRICOS

## Calibre del cordón de extensión

Consulte el cuadro mostrado abajo para asegurarse de que el calibre de los cordones de extensión que utilice puedan con la carga eléctrica requerida. Los cordones de calibre insuficiente pueden causar una caída de voltaje, lo cual puede quemar el dispositivo y recalentar el cordón mismo.

Corriente en Amperios	Carga en vatios		Longitud máxima permitida del cordón				
	A 120 V	A 240 V	Conduct. #8	Conduct. #10	Conduct. #12	Conduct. #14	Conduct. #16
2,5	300	600		305 m (1000 pies)	183 m (600 pies)	114 m (375 pies)	76 m (250 pies)
5	600	1200		152 m (500 pies)	91 m (300 pies)	61 m (200 pies)	38 m (125 pies)
7,5	900	1800		107 m (350 pies)	61 m (200 pies)	38 m (125 pies)	31 m (100 pies)
10	1200	2400		76 m (250 pies)	46 m (150 pies)	31 m (100 pies)	15 m (50 pies)
15	1800	3600		46 m (150 pies)	31 m (100 pies)	20 m (65 pies)	
20	2400	4800	53 m (175 pies)	38 m (125 pies)	23 m (75 pies)		
25	3000	6000	46 m (150 pies)	31 m (100 pies)			
30	3600	7200	38 m (125 pies)	20 m (65 pies)			
40	4800	9600	27 m (90 pies)				

## Cargas de motores eléctricos

Es característico en el funcionamiento normal de los motores eléctricos comunes consumir durante el arranque hasta seis veces su corriente de operación. Esta tabla puede emplearse para estimar la potencia necesaria (en vatios) para arrancar los motores eléctricos; no obstante, si un motor eléctrico no arranca o no alcanza la velocidad de funcionamiento, apague el dispositivo o herramienta de inmediato para evitar dañar el equipo. Siempre verifique los requisitos de la herramienta o aparato con la salida nominal del generador.

Capacidad del motor (H.P.)	Potencia en marcha (vatios)	Potencia necesaria para arrancar el motor (vatios)		
		Universal	Capacitor	Fase dividida
1/8	275	N/A	850	1200
1/6	275	600	850	2050
1/4	400	800	1050	2400
1/3	450	950	1350	2700
1/2	600	1000	1800	3600
3/4	850	1200	2600	—
1	1100	N/A	3300	—

## AVISO

*El requerimiento de voltaje y frecuencia operativa de todos los equipos electrónicos debe comprobarse antes de enchufarlos a este generador. Pueden ocurrir daños si el equipo no está diseñado para operar dentro de una variación de voltaje de +/-10% y una variación de frecuencia de +/-3 hz de los valores nominales que aparecen en la placa de identificación del generador. A fin de evitar daños, siempre tenga una carga adicional enchufada al generador en caso de usarse equipos de estado sólido (tales como un aparato de televisión). También podría resultar necesario un acondicionador de la línea eléctrica para algunas aplicaciones; por ejemplo, con una computadora. También podría resultar necesario un acondicionador de la línea eléctrica para algunas aplicaciones de equipo de estado sólido.*

# ASPECTOS ELÉCTRICOS

## Capacidad del generador

Cerciórese que el generador pueda suministrar suficientes vatios de potencia continua (en marcha) y de sobrecorriente (al arrancar) para los equipos que desee alimentar al mismo tiempo. Siga estos pasos sencillos.

1. Seleccione los equipos que desea alimentar al mismo tiempo.
2. Sume la potencia continua (en marcha) en vatios de estos equipos. Esta es la cantidad de potencia que el generador debe producir para mantener en marcha los equipos. Observe la tabla de referencia de potencia en vatios, a la derecha.
3. Calcule cuánta potencia inicial (al arranque) en vatios necesitará. La potencia inicial (en vatios) es la breve variación rápida de potencia necesaria para poner en marcha los aparatos o herramientas accionados con motor eléctrico como las sierras circulares o los refrigeradores. Debido a que no todos los motores arrancan al mismo tiempo, se puede calcular la potencia inicial total en vatios sumando sólo los equipos con el mayor valor de potencia inicial adicional a la potencia nominal del paso 2.

### Ejemplo:

Herramienta o aparato	Potencia continua en vatios*	Potencia arranque en vatios*
Refrigerador	700	780
Ventilador portátil	40	120
Ordenador portátil	250	0
Televisión de pantalla plana de 116,8 cm (46 pulg.)	190	0
Luz (75 Watts)	75	0
	1255 vatios, potencia en marcha total	780 vatios, potencia inicial máxima

Potencia continua total en vatios	1255
Potencia arranque máxima en vatios	+ 780
Potencia total arranque en vatios requerida	2035

## Administración de la potencia

A fin de prolongar la vida útil del generador y los dispositivos acoplados, es importante tener cuidado al agregar cargas eléctricas al generador. NO debe haber equipo alguno conectado a los tomacorrientes del generador antes de poner en marcha el motor respectivo. La manera correcta y segura de administrar la potencia del generador consiste en agregar las cargas de manera secuencial de la manera siguiente:

1. Sin equipos conectados al generador, ponga en marcha el motor de la manera que se describe posteriormente en este manual.
2. Enchufe y active la primera carga, preferiblemente la máxima carga que tenga.

3. Deje que se establezca la salida del generador (el motor marcha uniformemente y el dispositivo acoplado funciona correctamente).
4. Enchufe y active la siguiente carga.
5. Nuevamente, deje que el generador se estabilice.
6. Repita los pasos 4 y 5 para cada carga adicional.

Nunca añada más cargas que las que permita la capacidad del generador. Tenga especial cuidado al considerar las cargas de sobrecorriente en la capacidad del generador según se describió anteriormente.

## AVISO

**No exceda la capacidad del generador. Si excede la capacidad de corriente (amperios) y potencia (vatios) del generador puede dañar el generador y los dispositivos eléctricos conectados al mismo.**

Herramienta o aparato	W de Funcionamiento Estimados**	W de Arranque Estimados*
<b>Emergencia / En casa espera</b>		
Luz (cant. 4 x 75 W)	300	0
Refrigerador	600	780
Televisión de pantalla plana de 116,8 cm (46 pulg.)	190	0
Receptor satelital	250	0
Ventilador portátil	40	120
Calentador	1300	1300
Ordenador portátil	250	0
Olla lenta	270	0
Radio	200	0
<b>Sitio de trabajo</b>		
Taladro eléctrico – 10 mm (3/8 pulg.)	440	600
Lámpara de trabajo de halógeno de cuarzo	1000	0
Sierra alternativa	960	960
Sierra circular – 184 mm (7-1/4 pulg.)	1400	2300
Sierra de ingletes – 254 mm (10 pulg.)	1800	1800
Compresor de aire – 1/4 HP	970	1600
Rociador de aire comprimido – 1/3 HP	600	1200

\*Los valores de potencias en vatios indicados son aproximados. Verifique la potencia real de cada herramienta o aparato.

# CARACTERÍSTICAS

## Especificaciones del producto

### Motor

Tipo de motor.....	212 cc, OHV
Bujía de repuesto .....	Torch F7TC o equivalente
Volumen de llenado de lubricante .....	approx. 0,53 l (18 onz.)
Volumen de combustible.....	3,3 l (12.49 l)

\*Salida nominal definida según el estándar G300 de PGMA

## Familiarícese con el generador

Vea la figura 1.

El uso seguro que este producto requiere la comprensión de la información impresa en el producto y en el manual del operador así como ciertos conocimientos sobre el proyecto a realizar. Antes de usar este producto, familiarícese con todas las características de funcionamiento y normas de seguridad.

## Receptáculos de 120 V, C.A.

El generador incorpora las dos siguientes tomas monofásicas receptáculos de 60 Hz que son 120 V y 20 A de corriente alterna y un receptáculo RV de 120 V, 30 A de corriente alterna. Los receptáculos pueden utilizarse para accionar los aparatos, iluminación eléctrica, herramientas y motores apropiados.

## Disyuntor

El disyuntor se proporciona para proteger al generador contra sobrecarga eléctrica. El disyuntor puede restaurarse pulsando el botón del disyuntor.

## Filtro de aire

El filtro de aire ayuda a limitar la cantidad de tierra y polvo que penetra a la unidad durante el funcionamiento.

## Interruptor de ralentí automático

El interruptor de ralentí automático se utiliza para controlar la velocidad del motor y conservar el combustible. Cuando el interruptor está en la posición de ON (encendido) y no hay ningún artefacto conectado a la unidad, el motor se ralentiza. Si se agrega un artefacto, la velocidad del motor aumentará hasta alimentar la unidad. Si se extrae el artefacto, el motor volverá a ralentí.

## Apagado automático

El sensor de monóxido de carbono del generador está diseñado para supervisar el nivel de monóxido de carbono presente durante el funcionamiento del generador. Si la unidad está ubicada de forma incorrecta y los niveles de monóxido de carbono suben hasta una marca poco segura, el LED del sensor destellará en rojo y el generador se apagará automáticamente. Abandone el área de inmediato y vaya a un lugar al aire libre. Ventile bien el área antes de volver a ocuparla. Asegúrese de que el generador esté ubicado en un lugar al aire libre, a una distancia de, al menos, 6 m (20 pies) de todas las puertas, ventanas y espacios ocupadas y dirija el escape hacia fuera de estructuras ocupadas antes de reiniciarlo.

### Generador

Voltaje nominal .....	120 V
Amperaje nominal.....	28,33 A
Voltaje de CC nominal .....	5 V
Corriente nominal .....	2.1 A
Salida nominal*.....	3 400 W
Salida máxima.....	4 000 W
Frecuencia nominal .....	60 Hz

**NOTA:** Cuando la unidad se apague, el LED seguirá destellando en color rojo durante un máximo de 5 minutos o que los niveles de CO sean seguros. Una vez reubicado el generador y que los niveles de CO sean seguros, el generador puede reiniciarse aunque la luz siga destellando.

## ECHO COMMAND™ con Bluetooth®

El sistema de monitoreo ECHO COMMAND™ con tecnología Bluetooth® lleva un seguimiento del nivel de combustible, el tiempo de funcionamiento, el estado inactivo automático y la carga.

## Palanca de encendido/apagado/anegador

El interruptor del motor se utiliza con el mango del arrancador retráctil para arrancar el generador. Para apagar el motor, haga girar el interruptor del motor a STOP (detener).

## Tanque de combustible

El tanque de combustible tiene una capacidad de 12,49 l (3,3 gal).

## Terminal de conexión a tierra

El terminal de conexión a tierra se utiliza para ayudar a conectar a tierra correctamente el generador como ayuda de protección contra descargas eléctricas. Consulte con un electricista local calificado con respecto a los requisitos de conexión a tierra en el área geográfica donde se encuentre usted.

## Visor de diodos luminiscentes

Los diodos luminiscentes indican si el generador está en uso, está sobrecargado o si necesita lubricante.

## Apagado por baja cantidad de lubricante

La luz de bajo nivel de lubricante parpadeará y el motor se detendrá automáticamente cuando el nivel de lubricante del motor sea bajo. Es posible que el motor no pueda encenderse hasta que no se agregue suficiente aceite de motor en el generador.

## Tapa de aceite/varilla para medir el aceite

Retire la tapa de aceite/varilla para medir el aceite para revisar el nivel y añadir lubricante al motor cuando sea necesario.

## Tapón de drenaje de aceite

Al cambiar el lubricante de motor, el tapón de drenaje de aceite se retira para permitir el drenaje del lubricante usado.

# CARACTERÍSTICAS

## Botón de reajuste

El botón de reajuste es utilizado para restablecer la corriente si una sobrecarga ocurre. Para restablecer la corriente, retire la final carga eléctrica agregada, luego oprima el botón reset.

## Mango del arrancador y cuerda

Con un tirón del mango del arrancador y cuerda (junto con palanca de encendido/apagado/anegador) se arranca el motor.

# ARMADO

## Desempaquetado

Este producto requiere armarse.

- ORTE cuidadosamente los lados de la caja y después retire la herramienta y cualesquier accesorios de la caja. Asegúrese de que estén presentes todos los artículos enumerados en la **Lista de piezas sueltas**.

**NOTA:** Esta herramienta es pesada y requiere al menos de dos personas para levantarla. Para evitar una lesión en la espalda, levántela con sus piernas, no con su espalda.

### ADVERTENCIA

**No utilice este producto si alguna pieza incluida en la Lista de piezas sueltas ya está ensamblada al producto cuando lo desempaqueta. El fabricante no ensambla las piezas de esta lista en el producto. Éstas deben ser instaladas por el usuario. El uso de un producto que puede haber sido ensamblado de forma inadecuada podría causar lesiones personales graves.**

- Inspeccione cuidadosamente la unidad para asegurarse que no haya sufrido ninguna rotura o daño durante el transporte.
- No deseche el material de empaquetado hasta que haya inspeccionado cuidadosamente el producto y lo haya utilizado satisfactoriamente.
- Si hay piezas dañadas o faltantes, le suplicamos llamar al 1-800-432-ECHO (3246), donde le brindaremos asistencia.

### ADVERTENCIA

**Si falta o está dañada alguna pieza, no utilice este producto sin haber reemplazado la pieza. Usar este producto con partes dañadas o faltantes puede causar lesiones serias al operador.**

### ADVERTENCIA

**No intente modificar esta producto ni introducir accesorios no recomendados para la misma. Cualquier alteración o modificación constituye maltrato y puede causar una condición peligrosa, y como consecuencia posibles lesiones corporales graves.**

## Puertos USB

Los dos puertos de carga de 5 voltios CC, 2,1 amperios exclusiva para USB cargarán la mayoría de los dispositivos compatibles.

### ADVERTENCIA

**No intente accionar el generador antes de terminar de armarlo. De lo contrario puede ocurrir un riesgo de lesiones graves.**

## Lista de piezas sueltas

Vea la figura 2.

Los siguientes artículos incluidos con generador:

Núm.		
ref.	Descripción	Cant.
1	Rueda.....	2
2	Cubierta de la rueda.....	2
3	Eje .....	2
4	Arandelas .....	2
5	Chaveta.....	2
6	Soporte del pie.....	2
7	Perno .....	4
8	Tuerca de bloqueo .....	4
9	Motor lubricante.....	1
	Embudo de papel (no se muestra).....	1
	Manual del operador (no se muestra).....	1

## Herramientas necesarias

Vea la figura 3.

Para armar la unidad se necesitan las siguientes herramientas (no incluido o dibujado para escalar):

- Llaves de casquillo y/o llaves de combinación

**NOTA:** No ponga combustible o lubricante en el generador antes de instalar las pies y ruedas.

## Instalación de los pies

Vea la figura 4.

- Localice los siguientes artículos:
  - 2 soportes de pies
  - 4 tuerca de bloqueos
  - 4 pernos
- Inserte el perno a través del soporte del pie, luego a través del marco como se muestra.

# ARMADO

- Rosque la tuerca de fijación en el perno y ajuste bien dando una vuelta completa.

**NOTA: Asegúrese de no ajustar excesivamente para evitar que el material del pie se doble.**

- Repita estos pasos con el otro pie.

## Instalación de las ruedas

Vea la figura 5.

- Localice los siguientes artículos:
  - 2 ejes
  - 2 pasadores de enganche
  - 2 subiertas de las ruedas
  - 2 arandelas
  - 2 ruedas
- Eleve el extremo del generador donde está ubicado el mango hasta una altura suficiente que permita el acceso a la parte inferior del bastidor; coloque firmemente cuñas debajo para apoyarlo.
- Deslice pase el eje a través del agujero situado en el centro de la rueda.

- Deslice una arandela por el eje y luego deslice el eje dentro del agujero de montaje de la rueda, como se muestra.

- Inserte el pasador de enganche para asegurar.

**NOTA:** Debe introducirse el pasador de enganche en el eje hasta que el centro de aquél descansa en la parte superior de éste.

- Repita el proceso con la segunda rueda.

## Levantar y bajar el mango

Vea la figura 6.

- Extienda el mango, luego introduzca el pasador a través del agujero en el mango y el bastidor del generador para asegurar el mango correctamente.

Nunca use el mango para levantar el generador. Solamente se debe utilizar el mango para desplazar la unidad sobre las ruedas.

### Aflojar del mango:

- Retire el pasador de seguridad y baje el mango a la posición inferior.

# FUNCIONAMIENTO

## PELIGRO

**Monóxido de carbono. Usar un generador en el interior LO MATARÁ EN POCOS MINUTOS.**

*Los gases de escape del generador contienen niveles altos de monóxido de carbono (CO), un gas venenoso que no puede verse ni olerse. Si puede oler los gases de escape del generador, está respirando CO. Pero incluso si no puede oler los gases de escape, es posible que esté respirando CO.*

- **Nunca use un generador dentro de su hogar, garaje, sótano, ni demás espacios parcialmente encerrados. En dichos espacios, pueden acumularse niveles mortales de monóxido de carbono. Usar un ventilador o abrir puertas y ventanas NO proporciona suficiente aire fresco.**
- **SÓLO utilice el generador al aire libre y lejos de ventanas, puertas y respiraderos abiertos. Estas aberturas pueden atraer los gases de escape del generador.**

*Incluso si utiliza el generador correctamente, el CO puede ingresar en su hogar. SIEMPRE utilice una alarma de CO de pilas o con pilas de respaldo en su hogar.*

*Si comienza a sentirse descompuesto, mareado o débil luego de que el generador estuvo funcionando, trasládese adonde haya aire fresco INMEDIATAMENTE. Vea a un doctor. Puede sufrir intoxicación por monóxido de carbono.*

## ADVERTENCIA

**NUNCA ignore un evento de apagado automático. SI SE PRODUCE EL APAGADO AUTOMÁTICO, DEBE abandonar el lugar de inmediato y dirigirse a un área al aire libre. Ventile bien el área antes de volver a ocuparla. Asegúrese de que el generador esté ubicado en un lugar al aire libre, a una distancia de, al menos, 6 m (20 pies) de todas las puertas, ventanas y espacios ocupadas. Siempre dirija el escape hacia fuera de estructuras ocupadas. Nunca haga funcionar el generador en áreas cerradas (p. ej., en una casa o un garaje). Si no sigue estas instrucciones, podría intoxicarse por inhalación de monóxido de carbono (CO), lo que puede resultar en la muerte o en lesiones graves.**

## ADVERTENCIA

*Si este generador se utiliza únicamente con aparatos conectados con cable y enchufe, el Código Eléctrico Nacional no exige que la unidad esté puesta a tierra. Sin embargo, si se usa el generador de otra forma, podría ser necesario ponerlo a tierra para reducir el riesgo de descargas eléctricas o electrocución. Antes de usar el generador, consulte a un electricista calificado, un inspector eléctrico o un organismo local que tenga jurisdicción para saber si es necesario ponerlo a tierra en su situación.*

# FUNCIONAMIENTO

## **⚠ ADVERTENCIA**

**No permita que su familiarización con este producto lo vuelva descuidado. Tenga presente que un descuido de un instante es suficiente para causar una lesión grave.**

## **⚠ ADVERTENCIA**

**No utilice ningún aditamento o accesorio no recomendado por el fabricante de este producto. El empleo de aditamentos o accesorios no recomendados podría causar lesiones graves.**

## **AVISO**

**Este producto cuenta con un parachispas que ha sido evaluado por el Servicio Forestal del Departamento de Agricultura de EE. UU., sin embargo los usuarios del producto deben cumplir con los reglamentos de prevención de incendios locales, estatales y federales. Consulte a las autoridades que correspondan. Póngase en contacto con el servicio al cliente o un centro de servicio calificado para comprar un parachispas de repuesto.**

## **AVISO**

**Antes de cada uso, inspeccione todo el producto para detectar partes dañadas, faltantes o sueltas, como tornillos, tuercas, pernos, tapas, etc. Apriete firmemente todos los sujetadores y las tapas y no accione este producto hasta que todas las partes faltantes o dañadas sean reemplazadas. Llame al contacto con el servicio al cliente o con un centro de servicio calificado para recibir asistencia.**

## **Aplicaciones**

Este generador está diseñado para suministrar alimentación eléctrica para el funcionamiento de iluminación eléctrica compatible, electrodomésticos, herramientas y cargas de motor.

## **Antes de accionar la unidad**

- Sólo utilícelo AL AIRE LIBRE y guarde una distancia al menos de 6 m (20 pies) alejado de ventanas, puertas y orificios de ventilación según lo recomendado por el Departamento de Salud y Servicios Humanos y por los Centros para el Control y la Prevención de Enfermedades de los Estados Unidos. Las condiciones particulares de su casa o del viento puede requerir una distancia adicional.
- NUNCA lo use dentro de su hogar o del garaje, INCLUSO con las puertas y las ventanas abiertas.
- Coloque siempre el generador sobre una superficie firme plana.

### **Requisitos especiales:**

Es posible que se apliquen reglamentaciones de la Administración de Salud y Seguridad Ocupacional (Occupational Safety and Health Administration, OSHA) generales o estatales, códigos u ordenanzas locales al uso para el que fue diseñado el generador.

Consulte a un electricista calificado, a un inspector de instalaciones eléctricas o a la agencia local con jurisdicción:

- En algunas áreas, se deben registrar los generadores en las respectivas compañías de servicios públicos locales.
- Si el generador es utilizado en una obra en construcción, es posible que se deban respetar reglamentaciones adicionales.

## **Pantalla LCD de ECHO COMMAND™**

*Vea la figura 7.*

**NOTA:** La pantalla LCD no funcionará a menos que la unidad esté encendida.

**Nivel de combustible:** El indicador del nivel de combustible muestra cuánto combustible resta.

**Nivel de carga:** El indicador del nivel de carga muestra la carga conectada. Si el generador está llegando a la capacidad máxima de voltaje/amperaje, titilará. Si se excede la capacidad del nivel de carga, la pantalla LCD muestra OVERLOAD (sobrecarga). Para restablecer el generador, quite todas las cargas del generador y presione el botón Reset (Restablecer); vea la figura 1. Vuelva a agregar cargas al generador de a una por vez teniendo cuidado de no exceder la capacidad nominal de voltaje de los generadores.

**Tiempo de funcionamiento:** La pantalla LCD muestra el tiempo de funcionamiento restante aproximado en función del nivel de combustible y la carga.

**Estado inactivo automático:** La pantalla LCD muestra si el estado está activado o no.

**Bluetooth®:** Una vez conectada, la pantalla LCD muestra si la app de ECHO COMMAND™ está conectada por Bluetooth®.

## **Verificación/abastecimiento de lubricante**

*Vea la figura 8.*

## **AVISO**

**Si se intenta arrancar el motor antes de haberse abastecido debidamente de lubricante podría descomponerse el equipo.**

**NOTA: Si recibe un manual del motor para este producto, respete el instrucciones que se indique en el manual del motor y no la información que figura a continuación.**

El lubricante de motor empleado es un factor de gran importancia en el rendimiento y vida de servicio del motor. Para uso general, a todas temperaturas, se recomienda el aceite SAE 10W-30. Siempre utilice lubricante para motor de cuatro tiempos que satisfaga o sobrepase los requisitos SJ de clasificación de servicio API.

Este motor viene con una característica que apagará el motor cuando no se mantiene el nivel específico de lubricante. El motor volverá a arrancar hasta que se alcance el nivel adecuado de lubricante.

**NOTA:** El lubricante sin detergente o para motor de dos tiempos daña el motor, por lo cual no debe usarse.

- Desenrosque la tapa de relleno de aceite/varilla medidora de aceite y retírela.
- Limpie la varilla de nivel y vuelva a asentarla en el agujero; no la enrosque.

# FUNCIONAMIENTO

- Retire de nuevo la varilla medidora de lubricante y verifique el nivel de lubricante. El nivel de lubricante debe estar entre las marcas mínima y máxima en la varilla medidora.
- Si el nivel está bajo, agregue lubricante para motor hasta que el nivel de fluido se encuentre entre las marcas mínima y máxima en la varilla medidora.
- Vuelva a colocar la tapa de relleno de aceite/varilla medidora de aceite y asegúrela.

## Uso de estabilizador de combustible

El combustible se hace viejo, se oxida y descompone al paso del tiempo. Agregando estabilizador de combustible (no incluido) se prolonga la vida útil del combustible y se evita la formación de depósitos, los cuales pueden tapar el sistema del combustible. Siga las instrucciones del fabricante del estabilizador de combustible en cuanto a la debida proporción estabilizador-combustible.

- Mezcle el estabilizador de combustible y la gasolina antes de llenar el tanque mediante el uso de una lata de gasolina u otro recipiente aprobado para combustible; agítela suavemente para realizar la mezcla.

**NOTA:** Para controlar la cantidad de estabilizador de combustible que se agrega al motor, siempre mézclelo con la gasolina antes de llenar el tanque, en vez de agregarlo directamente al tanque de combustible del generador.

- Coloque de nuevo la tapa del tanque de combustible y asegúrela.
- Arranque el motor y déjelo funcionar por lo menos cinco minutos para permitir que el estabilizador trate todo el sistema de combustible.

## Combustibles mezclados con etanol

### AVISO

**No utilice combustibles E15 o E85 con este producto. Esto constituye una violación a la ley federal, dañará la unidad y anulará la garantía. Utilice únicamente gasolina sin plomo que contiene hasta 10% de etanol.**

## Abastecimiento de combustible

Vea la figura 9.

### PELIGRO

**Riesgo de incendios y lesiones por quemaduras: Nunca retire la tapa de combustible mientras esté encendida la unidad. Apague el motor y deje enfriar la unidad durante al menos cinco minutos. Retire la tapa lentamente.**

### ADVERTENCIA

**La gasolina y los vapores de la misma son extremadamente inflamables y explosivos. Para evitar lesiones y daños físicos serios, maneje con cuidado la gasolina. Manténgala lejos de fuentes de ignición, manéjela solamente al aire libre, no fume mientras vierta la gasolina y limpie de inmediato cualquier derramamiento que ocurra.**



Al abastecer de gasolina la generador, asegúrese de que la unidad esté asentada en una superficie horizontal nivelada. Si está caliente el motor, permita que se enfríe la generador antes de reabastecerla de gasolina. SIEMPRE llene el tanque al aire libre y teniendo apagada la máquina.

- Coloque la palanca de encendido/apagado/anegador en la posición de **OFF (APAGADO)**.
- Retire lentamente la tapa de combustible.
- Llene el tanque de combustible hasta una altura de 25,4 mm (1 pulg.) abajo del cuello del tanque.
- Coloque de nuevo la tapa del tanque de combustible y asegúrela.

### ADVERTENCIA

**Apague siempre el motor antes de reabastecer combustible. Nunca retire la tapa de combustible ni agregue combustible a una máquina mientras el motor esté en funcionamiento o caliente. Asegúrese de que la unidad esté apoyada en una superficie horizontal y nivelada, y solo agregue combustible al aire libre. Si el motor está caliente, deje que el motor se enfríe durante al menos cinco minutos antes de reabastecer. Vuelva a colocar inmediatamente la tapa del tanque después de reabastecer y apriétela firmemente. Aléjese al menos 9 metros (30 pies) del sitio de carga de combustible antes de poner en marcha el motor. No fume y permanezca lejos de llamas abiertas y chispas! La inobservancia de estas instrucciones podrían provocar un incendio y lesiones personales graves.**

**NOTA:** Siempre utilice gasolina sin plomo con un octanaje nominal inicial de 86 o mayor. Nunca utilice gasolina vieja, pasada o contaminada, y no utilice mezcla de aceite y gasolina. No permita que entre tierra o agua en el tanque de combustible. **No use combustible E85.**

## Arranque del motor

Vea las figuras 10 y 11.

### AVISO

**Teniendo la unidad en una superficie nivelada y con el motor apagado, revise el nivel de lubricante cada vez antes de usar el generador.**

**NOTA:** Si el generador no está en una superficie nivelada, es posible que no arranque o se apague durante su funcionamiento.

- Desconecte todas las cargas del generador.
- Coloque la palanca de encendido/apagado/anegador en la posición **START (ARRANQUE)**.

**NOTA:** Si el motor está caliente o la temperatura es superior a los 10 °C (50 °F), Coloque la palanca de encendido/apagado/anegador en la posición **RUN (MARCHA)**.

- Tire del mango del arrancador retráctil hasta que comience a funcionar el motor.

**NOTA:** No permita que el mango se retraiga violentamente después de arrancar; regréselo suavemente a su lugar original.

# FUNCIONAMIENTO

- Permita que el motor funcione 15 a 30 segundos, y después ponga la palanca de encendido/apagado/anegador en la posición **RUN (FUNCIONAMIENTO)**.

## Apagado del motor

Vea la figura 10.

### Para apagar el motor en condiciones normales de funcionamiento:

- Desconecte del generador toda carga presente.
- Coloque la palanca de encendido/apagado/anegador en la posición de **OFF (APAGADO)**.

### Para apagar el motor en una situación de emergencia:

- Coloque la palanca de encendido/apagado/anegador en la posición de **OFF (APAGADO)**.

## ADVERTENCIA

*Tanto en funcionamiento como al guardarlo, mantenga siempre 91,4 cm (3 pies) de espacio libre en todos los laterales de este producto, incluida la parte superior. Espere al menos 30 minutos para el equipo se enfríe antes de guardarlo. El calor generado por el silenciador y los gases de escape puede ser suficiente para causar quemaduras graves y/o prender fuego a objetos combustibles.*

## Conexión del generador **Bluetooth®**

Vea la figura 12.

La instalación de la app de ECHO COMMAND™ en su dispositivo iOS o Android con **Bluetooth®** le permite ver o controlar muchas funciones del generador desde el dispositivo.

- Desde la tienda de apps de su dispositivo iOS o Android con **Bluetooth®**, busque e instale la app de ECHO COMMAND™.
- Abra la app y siga las instrucciones que aparecen allí.

**NOTA:** Asegúrese de habilitar **Bluetooth®**.

- Arranque el generador. Mantenga presionado el botón “Push and Hold to Pair” debajo del panel de LCD en el generador hasta que la pantalla muestre el “Pairing Mode” (Modo de conexión).

- La pantalla LCD en el generador y la app de su dispositivo indicarán si la conexión se lleva a cabo.

**NOTA:** Si el generador y la app no se conectan, asegúrese de que aparezca el modo “Pairing Mode” durante el proceso de conexión y de que la función **Bluetooth®** esté habilitada.

- Presione el ícono del menú en la esquina superior izquierda de la pantalla. Aparecerán las funciones disponibles que puede controlar con la app.

## Traslado el generador

Vea la figura 13.

- Apague la generador.
- Levante el mango.
- Desconecte todos los equipos que estén enchufados al generador.
- Asegúrese de que la palanca de encendido/apagado/anegador en la posición de **OFF (APAGADO)**.
- Permita un período de enfriamiento de 30 minutos antes de guardar la máquina. Asegúrese de que estén fríos el motor y el escape de la unidad.
- Con su pie en la parte trasera del bastidor, incline la máquina hacia usted hasta que se equilibre en las ruedas, luego empuje la máquina a la posición deseada.

## Operación a altitudes elevadas

Su motor está configurado para funcionar por debajo de los 609,6 m (2 000 pies) de altitud medidos en la fábrica. Su motor se debe volver a configurar para funcionar por sobre los 609,6 m (2 000 pies) de altitud. Hacer funcionar el motor con la configuración equivocada a determinada altura puede aumentar las emisiones, reducir la eficiencia del combustible, perjudicar el funcionamiento y provocar daños irreversibles al motor. Los motores que estén configurados para funcionar en una altitud alta no se pueden utilizar en condiciones de altitud estándar. Un centro de servicio calificado debe asegurarse que su motor está debidamente configurado para funcionar donde usted se encuentre.



# MANTENIMIENTO

Cualquier establecimiento o técnico de reparaciones calificado puede realizar el mantenimiento normal, el reemplazo o la reparación de los dispositivos y sistemas de control de emisiones, con repuestos originales o equivalentes. Un centro de servicio autorizado deberá realizar las reparaciones y el retiro del producto que cubra la garantía; póngase en contacto con el servicio al cliente para obtener ayuda.

## ADVERTENCIA

**Antes de inspeccionar, limpiar o dar servicio a la máquina, apague el motor, espere a que se detengan todas las piezas en movimiento, desconecte el cable de la bujía y aléjelo de ésta. Permita un periodo de enfriamiento de 30 minutos antes de efectuar cualquier tarea de mantenimiento. El incumplimiento de cualquiera de estas instrucciones podría causar lesiones serias.**

## ADVERTENCIA

**Al dar servicio a la unidad, sólo utilice piezas de repuesto recomendadas o equivalentes. El empleo de piezas diferentes puede causar un peligro o dañar el producto.**

## ADVERTENCIA

**NO altere, ajuste ni modifique el módulo del sensor de monóxido de carbono (CO) de su generador. Si no sigue estas instrucciones, el monitor podría no funcionar correctamente, lo que puede resultar en la muerte o lesiones personales graves.**

## AVISO

**Inspeccione periódicamente todo el producto para detectar partes dañadas, faltantes o sueltas, como tornillos, tuercas, pernos, tapas, etc. Apriete firmemente todos los sujetadores y las tapas y no accione este producto hasta que todas las partes faltantes o dañadas sean reemplazadas. Llame al contacto con el servicio al cliente o con un centro de servicio calificado para recibir asistencia.**

## Mantenimiento general

Mantenga el generador en un entorno limpio y seco, en el cual no esté expuesto al polvo, tierra, humedad o vapores corrosivos. No permita que las ranuras de aire de ventilación del generador se tapen de materia extraña, como hojas, etc.

No utilice una manguera de jardín para limpiar el generador. El agua que entra al sistema de combustible u otras partes internas puede causar problemas que acortan la vida de servicio del generador.

### Para limpiar la unidad:

- Con un cepillo de cerdas suaves y/o una aspiradora afloje y elimine la tierra y la basura.
- Limpie las aberturas de ventilación con aire a baja presión que no se exceda de 25 psi.
- Limpie las superficies exteriores del generador con un paño húmedo.

## Revisión y limpieza del filtro de aire

*Vea la figura 14.*

Para obtener un desempeño apropiado y una larga vida útil de la unidad, mantenga limpios los filtro de aire.

- Gire la perilla a la izquierda para soltar. Retire la tapa y hágala a un lado.
- Retire los elemento de filtro.
- Si el elemento de filtro están sucios, lávese con agua jabonosa tibia. Enjuáguelo y déjelo secar.
- Aplique una capa delgada de lubricante a los elementos y, después, estruje para sacar aquél.
- Coloque de nuevo los elemento en la unidad del filtro.
- Vuelva a colocar la tapa del filtro de aire et gírela la perilla a la derecha para asegurarla.

**NOTA:** Asegúrese de que el filtro esté correctamente colocados dentro del generador. La instalación incorrecta de los filtros hará que ingrese suciedad al motor y que éste se desgaste rápidamente.

## Cambio de lubricante de motor

*Vea la figura 15.*

Para lograr un desempeño óptimo, el lubricante para motor debe cambiarse cada 100 horas o 6 meses de uso.

- Retire el tapón de drenaje del lubricante y drene el aceite viejo.
- Quite el tapón de goma ubicado debajo del cerrojo de drenaje de aceite.
- Desenrosque el tapón de drenaje del aceite y retírelo.
- Permita que se drene completamente el lubricante en un contenedor aprobado.

**NOTA:** Drene el lubricante mientras esté tibio el motor, no caliente. El aceite tibio se dreña con mayor facilidad y compleción.

## ADVERTENCIA

**No cambie el lubricante para motor cuando esté caliente. El contacto accidental con lubricante para motor caliente podría ocasionarle graves quemaduras.**

- Instale de nuevo el tapón de drenaje del aceite y apriételo firmemente.
- Vuelva a colocar el tapón de goma.
- Reabastezca de lubricante la unidad de conformidad con las instrucciones indicadas en el apartado **Verificación y abastecimiento de lubricante**. Para conocer la cantidad de lubricante que se debe agregar, consulte la sección anterior **Especificaciones del producto** de este manual o el manual del motor adjunto, si corresponde.
- Vuelva a colocar la tapa de relleno de aceite/varilla medidora de aceite y asegúrela.

**NOTA:** El lubricante usado debe desecharse en un sitio de desecho aprobado. Si necesita más información, consulte a un concesionario de aceite de la localidad.

# MANTENIMIENTO

## Mantenimiento de la bujía

Veja la figura 16.

La bujía debe tener el debido espacio interelectrónico y debe estar libre de depósitos para que el motor funcione de forma correcta. Para verificar:

- Retire la tapa de la bujía.
- Limpie toda la tierra presente alrededor de la base de la bujía.
- Retire los bujías con la llave para bujía o llave de tubo.
- Inspeccione la bujía para ver si está dañada, y límpiela con un cepillo de alambre antes de volver a instalarla. Si el aislante está agrietado o desportillado, debe reemplazarse la bujía. Para saber cuál es la bujía de recambio correcta, consulte la sección anterior **Especificaciones del producto** de este manual o el manual del motor adjunto, si corresponde.
- Mida el espacio interelectrónico. La separación correcta es 0,60–0,70 mm (0,024–0,028 pulg.). Para ampliar la separación, doble con cuidado el electrodo (superior) de conexión a tierra. Para angostar el espacio, golpee suavemente sobre una superficie dura el electrodo de tierra.
- Asiente en su lugar la bujía y enrósquela con la mano para evitar trasroscarla.
- Apriétela con una llave para comprimir la arandela. Si es nueva la bujía, gírela 1/2 vuelta para comprimir al nivel adecuado la arandela. Si va a volver a usar la bujía vieja, gírela de 1/8 a 1/4 de vuelta para comprimir al nivel adecuado la arandela.  
**NOTA:** Si no se aprieta debidamente, la bujía se calienta mucho y podría dañar el motor.
- Vuelva a instalar la cubierta de la bujía.

## Parachispas

Veja la figura 17.

### AVISO

**Este producto cuenta con un parachispas que ha sido evaluado por el Servicio Forestal del Departamento de Agricultura de EE. UU., sin embargo los usuarios del producto deben cumplir con los reglamentos de prevención de incendios locales, estatales y federales. Consulte a las autoridades que correspondan. Póngase en contacto con el servicio al cliente o un centro de servicio calificado para comprar un parachispas de repuesto.**

Es necesario limpiar o reemplazar el parachispas cada 50 horas o anualmente para asegurarse del buen funcionamiento de la unidad. Los parachispas pueden estar instalados en diferentes posiciones dependiendo del modelo del cual se trate. Comuníquese con un centro de servicio calificado para confirmar la ubicación del parachispas para su modelo específico.

### Para limpiar el parachispas:

- Afloje el tornillo de la tapa. Retire la tapa y parachispas.
- Limpie el parachispas con un cepillo de alambre (no incluido).
- Vuelva a instalar el parachispas y apriete el tornillo.

## Drenaje del tanque del combustible y del carburador

Veja la figura 18.

Para evitar los depósitos de sustancias gomosas en el sistema de combustible, vacíe el tanque de combustible y el carburador antes de guardarlo.

### Drenaje del tanque del combustible

- Coloque la palanca de encendido/apagado/anegador en la posición de **OFF (APAGADO)**.
- Quite el conducto de combustible de la conector de manguera dentada apretando los extremos del pasador de retención con tenazas y deslizando el conducto de combustible hacia afuera.  
**NOTA :** Asegúrese de quitar el conducto de combustible que está entre la válvula de combustible y el carburador, NO el conducto que está entre la válvula de combustible y el tanque de combustible.
- Instale un extremo del conducto de drenaje (no suministrados) en la conector de manguera dentada, y coloque el otro extremo en un recipiente de combustible de la suficiente capacidad para recibir el combustible drenado del tanque.
- Ponga la palanca de encendido/apagado/anegador en la posición **RUN (MARCHA)**.
- Cuando el combustible se haya drenado del tanque, coloque la palanca de encendido/apagado/anegador en la posición **OFF (cerrado)** y vuelva a instalar el conducto de combustible firmemente en la conector de manguera dentada.

### Drenaje del carburador

- Coloque la palanca de encendido/apagado/anegador en la posición de **OFF (APAGADO)**.
- Coloque un recipiente adecuado bajo el tornillo de drenaje del carburador para recibir el combustible; afloje el tornillo.
- Permita que se drene completamente el combustible y caiga en el recipiente.
- Vuelva a apretar el tornillo de drenaje.

**NOTA:** Consulte las normas de desecho de residuos peligrosos de la localidad donde se encuentre para averiguar la forma correcta de desechar el combustible usado.

## Transporte

- Asegúrese de que la palanca de encendido/apagado/anegador en la posición de **OFF (APAGADO)**.
- Permita un período de enfriamiento de 30 minutos antes de transportar la máquina. Asegúrese de que estén fríos el motor y el escape de la unidad.
- No deje caer la unidad, no la golpee ni la coloque bajo objetos pesados.
- Si lo transporta en un vehículo, vacíe el tanque de combustible e inmovilice el generador.
- Coloque una lámina de plástico o una almohadilla absorbente debajo del generador para atrapar las gotas de combustible o lubricante cuando lo almacene o lo transporte.

# MANTENIMIENTO

---

## Almacenamiento

Al preparar el generador para guardarlo, deje que la unidad se enfríe durante 30 minutos y luego siga los lineamientos señalados abajo.

Tiempo de almacenamiento	Antes de guardarlo
Menos de dos meses	■ Vacíe el tanque de combustible y colóquelo en un recipiente apropiado según lo establecido por las disposiciones estatales y locales.
De dos meses a un año	■ Drene el combustible del carburador. ■ Vacíe el tanque de combustible y colóquelo en un recipiente apropiado según lo establecido por las disposiciones estatales y locales.
Un año o más	■ Drene el combustible del carburador. ■ Retire la bujía. ■ Vacíe el tanque de combustible y colóquelo en un recipiente apropiado según lo establecido por las disposiciones estatales y locales. ■ Ponga una cucharada sopera del lubricante para motor en el cilindro de la bujía. Gire el motor lentamente con la cuerda de tiro para distribuir el lubricante. ■ Instale de nuevo la bujía. ■ Cambie el lubricante del motor. Al sacar la unidad después de haberla tenido guardada: ■ Reabastezca de gasolina fresca la unidad.

**NOTA: Si guarda gasolina en un recipiente adecuado para utilizarla en otro momento, asegúrese de que haya sido tratada con un estabilizador de combustible de acuerdo con las instrucciones del fabricante del estabilizador.**

# MANTENIMIENTO

## Programa de mantenimiento

**NOTA:** Si recibe un manual del motor para este generador en particular, respete el cronograma de mantenimiento que se indique en el manual del motor y no la información de mantenimiento que figura a continuación.

	Antes de cada uso	Al cabo del primer mes o 20 horas de funcionamiento	Cada 3 meses o 50 horas de funcionamiento	Cada 6 meses o 100 horas de funcionamiento	Cada año o luego de 300 horas de funcionamiento
Revisar el lubricante del motor	■				
Cambiar el lubricante del motor <sup>2</sup>		■		■	
Revisar el filtro de aire	■				
Limpiar el filtro de aire			■		
Cambiar el filtro de aire <sup>2</sup>					■
Comprobar/ajustar la bujía				■	
Reemplazar la bujía <sup>2</sup>					■
Comprobar/limpiar la pantalla parachispas				■	
Comprobar/ajustar el huelgo de válvula <sup>1,2</sup>					■
Limpiar el depósito y el filtro de combustible <sup>1,2</sup>				■	
Comprobar de manguera de combustible	■				■
Reemplazo del filtro de combustible	Inspeccione				Reemplazo
Compruebe todas las conexiones de mangueras	■				■
Inspeccione la respirador del vapor del tanque de combustible (si está instalada)	■				■
Inspeccione el depósito de carbón (únicamente modelos CARB) <sup>3</sup>	■				■

1 Estas tareas deben ser efectuadas sólo por el centro de servicio calificado.

2 Consulte el manual del motor para conocer el cronograma de mantenimiento de este elemento.

3 Inspeccione daños físicos de manera visual. Deberá reemplazar las partes si hay roturas en la caja, puertos de entrada o salida rotos, o soportes de montaje rotos o que no funcionen. Comuníquese con Servicio al cliente o un centro de reparación autorizado para obtener asistencia.

**NOTA:** La frecuencia de mantenimiento debe ser mayor si se el generador se usa en zonas de mucho polvo. Si el generador ha sobrepasado los valores máximos especificados en el cuadro, aun debe seguirse el programa de mantenimiento de acuerdo con los intervalos allí recomendados.

# CORRECCIÓN DE PROBLEMAS

Problema	Causa posible	Solución
El motor no arranca.	<p>El palanca de encendido/apagado/anegador está en <b>STOP</b> (apagado). La válvula de combustible está <b>OFF (APAGADO)</b>. No hay combustible en el tanque. Gasolina pasada o agua pasada en la gasolina. Está bajo el nivel de lubricante.</p> <p>Bujía defectuosa, sucia o con separación incorrecta. El motor almacenado sin tratamiento ni vaciado de gasolina, o reabastecido de gasolina de mala calidad. Elemento de combustible obstruidos.</p> <p>El LED del sensor de CO destella en color rojo, lo que indica un peligro de CO.</p> <p>El LED del sensor de CO destella en color amarillo o hace un chirrido audible, lo que indica una falla en el sensor.</p>	<p>Ponga el palanca de encendido/apagado/anegador en <b>RUN</b> (marcha). Coloque la válvula de combustible hasta la posición <b>ON (ENCENDIDO)</b>. Llene el tanque. Drene todo el sistema y reabastézcalo con combustible nuevo. El motor posee un apagado por poco lubricant. Si el nivel del lubricante del motor es bajo, debe llenarse antes de que la unidad arranque. Revise el nivel del lubricante del motor, y reabastézcalo si es necesario. Reemplace la bujía.</p> <p>Vacíe el combustible y el carburador. Reabastezca de gasolina fresca la unidad. Comuníquese con un centro de servicio calificado. Abandone el área de inmediato y vaya a un lugar al aire libre. Ventile bien el área antes de volver a ocuparla. Asegúrese de que el generador esté ubicado en un lugar al aire libre y dirija el escape hacia fuera de estructuras ocupadas. El sensor de CO necesita una reparación o que lo reemplace. Comuníquese con atención al cliente o con un centro de servicio cualificado para obtener ayuda.</p>
Cuesta trabajo arrancar el motor.	<p>Hay agua en la gasolina. Está débil la chispa de la bujía.</p>	<p>Drene todo el sistema y reabastézcalo con combustible nuevo. Comuníquese con un centro de servicio calificado.</p>
Le falta potencia al motor.	<p>El motor almacenado sin tratamiento ni vaciado de gasolina, o reabastecido de gasolina de mala calidad. Está sucio el filtro de aire.</p>	<p>Vacíe el combustible y el carburador. Reabastezca de gasolina fresca la unidad. Si el problema continúa, comuníquese con un centro de servicio calificado. Limpie o reemplace según sea necesario.</p>
No funciona el receptáculo de C.A.	<p>Está defectuoso el dispositivo conectado. El generador es sobrecargado. Se disparó el disyuntor del circuito.</p>	<p>Pruebe con un dispositivo diferente. Quite cargas y apriete el botón de reajuste. Reajuste el disyuntor de circuito de AC.</p>
No funciona el receptáculo de C.C.	<p>Se disparó el disyuntor del circuito.</p>	<p>Reajuste el disyuntor de circuito de C.C..</p>
Si el problema persiste después de probar las soluciones mencionadas arriba, comuníquese con el servicio al cliente o con un centro de servicio calificado para solicitar asistencia.		

## AVISO

Como propietario equipo, usted es responsable de que se realice el mantenimiento obligatorio que se indica en esta *Mantenimiento*. Le recomendamos que guarde todos los comprobantes relacionados con el mantenimiento de su equipo. Negligencia o falta del mantenimiento indicado puede aumentar las emisiones, reducir la eficiencia del combustible, perjudicar el funcionamiento, provocar daños irreversibles al motor y anulará su garantía.

# GARANTÍA

## Declaración de la garantía limitada

ECHO Incorporated garantiza al comprador original al menudeo que este producto para exteriores de la marca ECHO® carece de defectos en los materiales y en la mano de obra, y acuerda reparar o reemplazar, a la sola discreción de ECHO Incorporated, cualquier producto defectuoso, sin cargo alguno al comprador, dentro de los siguientes períodos de tiempo a partir de la fecha de compra.

- 3 años consumidor
- 90 días comercial
- 90 días para uso de alquiler
- 90 días accesorios y piezas de repuesto

Esta garantía se otorga solamente al comprador original al menudeo, y comienza en la fecha de la compra original al menudeo.

Cualquier parte de este producto que ECHO Incorporated considere, a su criterio razonable, tiene un defecto de materiales o de manufactura se reparará o cambiará sin costo de repuestos o mano de obra en un distribuidor ECHO autorizado. Los repuestos que se utilicen en reparaciones y los accesorios reemplazados amparadas bajo garantía seguirá estando garantizada por la garantía durante el período de garantía restante.

El producto, incluida toda pieza defectuosa, debe enviarse a un distribuidor ECHO autorizado dentro del período de la garantía. El gasto de enviar el producto al centro de servicio para cualquier trabajo cubierto por la garantía, así como el gasto de devolverlo al propietario después de la reparación, correrán por cuenta del propietario. La responsabilidad de ECHO Incorporated con respecto a todo reclamo se limita a las reparaciones o reemplazo del producto, y ningún reclamo de incumplimiento de la garantía será causante de la cancelación o rescisión del contrato de venta de ninguna herramienta de uso en el exterior de la marca ECHO. En el establecimiento se requerirá el recibo de compra para respaldar cualquier reclamo al amparo de la garantía. Todo trabajo cubierto en la garantía debe ser realizado por un un distribuidor ECHO autorizado.

Esta garantía no cubre ningún producto que haya sido sujeto a un uso indebido, maltrato, negligencia o accidente, o que haya sido utilizado de cualquier forma contraria a las instrucciones de manejo especificadas en el Manual del operador del producto. Esta garantía no aplica a ningún daño en el producto que resulte de un mantenimiento indebido ni a ningún producto que haya sido alterado o modificado. La garantía no cubre ninguna reparación necesaria por el uso normal ni por el uso de piezas o accesorios que sean incompatibles con la herramienta para uso exterior de la marca ECHO, o afecten de forma desfavorable su funcionamiento, desempeño o durabilidad. Además, esta garantía no cubre el desgaste de artículos normales como, entre otros, los siguientes:

- A. Afinaciones – filtros de aire, filtros de combustible, caburadores, bujías, filtros, cambios de aceite
- B. Componentes sujetos adesegaste – cuerda del arrancador retráctil, escobillas del motor, escobillas del alternador, pasadores de chaveta, ruedas

**C. IMPORTANTE: A los componentes que esta garantía no cubra, los podrá cubrir una garantía adicional emitida por el que fabricante del motor. consulte la garantía del fabricante del motor (si la hubiera) que se entregó con el producto para conocer más detalles.**

La Empresa no pagará las reparaciones o los ajustes que se realicen al producto, ni ningún costo ni mano de obra que se lleve a cabo sin la autorización previa de la Empresa.

ECHO Incorporated se reserva el derecho de cambiar o mejorar el diseño de este producto sin asumir cualquier obligación de modificar cualquier producto anteriormente fabricado.

TODAS LAS GARANTÍAS IMPLÍCITAS ESTÁN LIMITADAS EN DURACIÓN SEGÚN EL PERÍODO DE GARANTÍA DECLARADA. POR CONSIGUIENTE, CUALQUIER GARANTÍA IMPLÍCITA, INCLUSO LAS DE COMERCIABILIDAD, IDONEIDAD PARA UN PROPÓSITO EN PARTICULAR, O DE CUALQUIER TIPO, PIERDEN TOTALMENTE SU VALIDEZ DESPUÉS DEL VENCIMIENTO DEL PERÍODO DE GARANTÍA CORRESPONDIENTE DE TRES AÑOS O NOVENTA DÍAS. DE CONFORMIDAD CON ESTA GARANTÍA, LA OBLIGACIÓN DE ECHO INCORPORATED SE LIMITA ESTRICTA Y EXCLUSIVAMENTE A LA REPARACIÓN O REPLAZO DE LAS PIEZAS DEFECTUOSAS, Y ECHO INCORPORATED NO ASUME NINGUNA OTRA OBLIGACIÓN, NI AUTORIZA A NADIE ASUMIRLA A NOMBRE DE DICHA COMPAÑÍA. ALGUNOS ESTADOS NO PERMITEN LIMITACIONES EN CUANTO A LA DURACIÓN DE UNA GARANTÍA IMPLÍCITA, POR LO CUAL ES POSIBLE QUE LA LIMITACIÓN ANTERIOR NO SE APLIQUE EN EL CASO DE USTED. ECHO INCORPORATED NO ASUME NINGUNA RESPONSABILIDAD POR DAÑOS DIRECTOS, INDIRECTOS O DE NINGÚN OTRO TIPO, COMO EL GASTO DE ENVIAR EL PRODUCTO A UN DISTRIBUIDOR ECHO AUTORIZADO Y EL GASTO DE ENVIARLO DE ALLÍ AL PROPIETARIO, EL TIEMPO DE VIAJE DEL MECÁNICO, CARGOS TELEFÓNICOS O TELEGRÁFICOS, ALQUILER DE UN PRODUCTO SUSTITUTO DURANTE EL TIEMPO DE REALIZACIÓN DEL SERVICIO DE LA GARANTÍA, VIAJES, PÉRDIDA O DAÑOS A OBJETOS DE PROPIEDAD PERSONAL, PÉRDIDA DE INGRESOS, PÉRDIDA DEL USO DEL PRODUCTO, PÉRDIDA DE TIEMPO O INCONVENIENTES. EN ALGUNOS ESTADOS NO SE PERMITE LA EXCLUSIÓN O LIMITACIÓN DE DAÑOS DIRECTOS O INDIRECTOS, POR LO CUAL ES POSIBLE QUE LA LIMITACIÓN O EXCLUSIÓN DESCRITA ARRIBA NO SE APLIQUE EN SU CASO.

Esta garantía le confiere derechos legales específicos, y es posible que usted goce de otros derechos, los cuales pueden variar de estado a estado.

Esta garantía se aplica a todas los generadores de la marca ECHO fabricadas por o para ECHO Incorporated y vendidos en Estados Unidos y Canadá.

Para encontrar el distribuidor ECHO autorizado más cercano a usted, visitar [www.echo-usa.com](http://www.echo-usa.com) o llame al 1-800-432-ECHO (3246).

## ECHO Incorporated

400 Oakwood Rd., Lake Zurich, IL 60047  
1-800-432-ECHO (3246)  
[www.echo-usa.com](http://www.echo-usa.com)



**Operator's Manual**  
**Manuel d'utilisation / Manual del operador**  
**Digital Inverter Generator with Bluetooth®**  
**Génératrice numérique d'inverseur avec Bluetooth®**  
**Generador del inversor de digitales con Bluetooth®**  
**EGi-4000**



*To ensure trouble free warranty coverage it is important that you register your ECHO on-line at <http://www.echo-usa.com/Warranty/Register-Your-ECHO>*

*Pour assurer une couverture d'assurance sans problème il est important d'enregistrer votre produit ECHO en ligne sur <http://www.echo-usa.com/Warranty/Register-Your-ECHO>*

*Para garantizar una cobertura sin problemas, es importante que registre su producto ECHO en línea, en <http://www.echo-usa.com/Warranty/Register-Your-ECHO>*

### Parts and Service

Prior to requesting service or purchasing replacement parts, please obtain your item, manufacturing, and serial numbers from the product data plate.

**Item No.** \_\_\_\_\_ **Serial No.** \_\_\_\_\_

**Manufacturing No.** \_\_\_\_\_

**To obtain replacement parts:** Replacement parts can be purchased by calling 1-800-432-ECHO. Replacement parts can also be obtained at one of our authorized dealers for ECHO brand outdoor products.

**To locate an authorized dealer:** Authorized dealers for ECHO brand outdoor products can be located online at [www.echo-usa.com](http://www.echo-usa.com) or by calling 1-800-432-ECHO.

**To obtain customer or technical support:** To obtain customer or technical support, please contact us at 1-800-432-ECHO.

### Pièces et service

Avant de faire la demande de service ou l'achat de pièces de remplacement, veuillez obtenir le numéro d'article, le numéro de fabrication et le numéro de série à partir de la plaque de données du produit.

**Numéro d'article** \_\_\_\_\_ **Numéro de série** \_\_\_\_\_

**Numéro de fabrication** \_\_\_\_\_

**Pour obtenir les pièces de remplacement :** Les pièces de remplacement peuvent être achetées par téléphone au 1-800-432-ECHO. Les pièces de remplacement peuvent être obtenues à un de nos concessionnaires agréé pour la marque ECHO produits d'extérieur.

**Pour trouver un concessionnaire agréé :** Les concessionnaires agréé pour la marque ECHO produits d'extérieur peuvent être localisés en ligne au [www.echo-usa.com](http://www.echo-usa.com) ou en téléphonant au 1-800-432-ECHO.

**Pour obtenir de l'aide en contactant le service à la clientèle :** Pour contacter le service à la clientèle pour une question technique ou pour tout autre renseignement, veuillez nous téléphoner au 1-800-432-ECHO.

### Piezas de repuesto y servicio

Antes de solicitar servicio técnico o comprar piezas de repuesto, obtenga su número de artículo, el número de fabricación y el número de serie de la placa de datos del producto.

**Número de artículo** \_\_\_\_\_ **Número de serie** \_\_\_\_\_

**Número de fabricación** \_\_\_\_\_

**Para obtener piezas de repuesto:** Las piezas de repuesto se pueden comprar en llamando al 1-800-432-ECHO. Las piezas de repuesto también se pueden obtener en uno de nuestros distribuidors autorizado para la marca ECHO productos para exteriores.

**Para localizar un distribuidors autorizado:** Puede encontrar los distribuidors autorizado para la marca ECHO productos para exteriores visitando nuestro sitio en la red mundial, en la dirección [www.echo-usa.com](http://www.echo-usa.com) or by calling 1-800-432-ECHO.

**Para obtener servicio o asistencia técnica al consumidor:** Para obtener servicio o asistencia técnica al consumidor, sírvase comunicarse con nosotros llamando al 1-800-432-ECHO.

ECHO is a trademark of ECHO Incorporated / ECHO est une marque d'ECHO Incorporated / ECHO es una marca de ECHO Incorporated

**ECHO Incorporated**

400 Oakwood Rd., Lake Zurich, IL 60047 ■ 1-800-432-ECHO (3246) ■ [www.echo-usa.com](http://www.echo-usa.com)