



**OPTIONAL ATTACHMENTS & ACCESSORIES**

**Accessories**

99944200551 Prosweep Brush Assembly - .018 Diameter

**Fits Models**

|            |                       |
|------------|-----------------------|
| PAS-225    | Pro Attachment Series |
| PAS-230    | Pro Attachment Series |
| PAS-231    | Pro Attachment Series |
| PAS-2400   | Pro Attachment Series |
| PAS-260    | Pro Attachment Series |
| PAS-2601   | Pro Attachment Series |
| PAS-261    | Pro Attachment Series |
| SRM-225SB  | Split-Shaft Trimmer   |
| SRM-2400SB | Split-Shaft Trimmer   |
| SRM-260SB  | Split-Shaft Trimmer   |
| SRM-261SB  | Split-Shaft Trimmer   |

**PARTS CATALOG**

**99944200550**

**ProSweep Attachment**

**PAS Attachment**

**ECHO, INCORPORATED**

400 Oakwood Road Lake Zurich, Illinois 60047 USA

WWW.ECHO-USA.COM



# Table of Contents

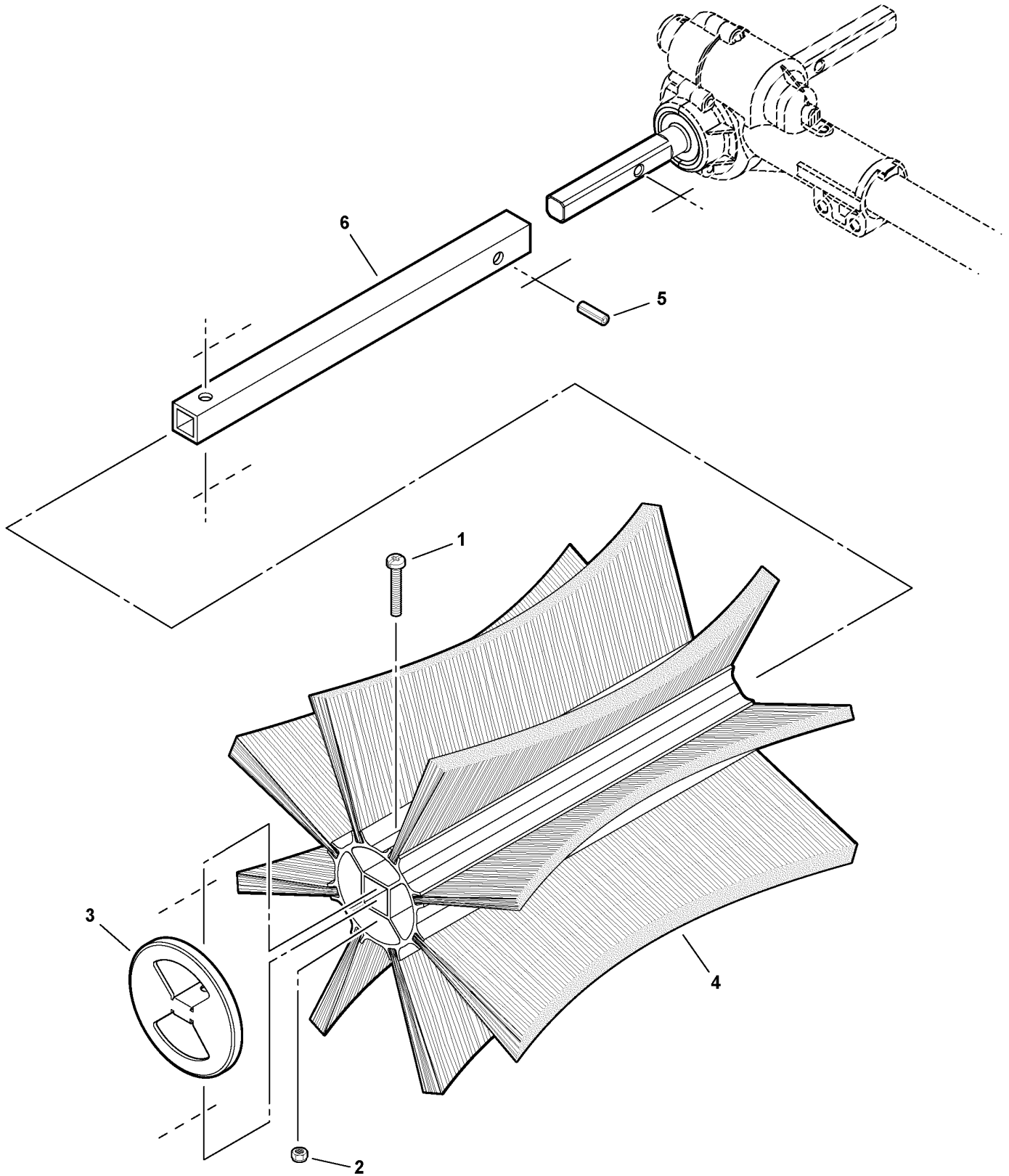
---

Click Any Diagram Description Below To View That Diagram.

## **99944200550 ProSweep Attachment**

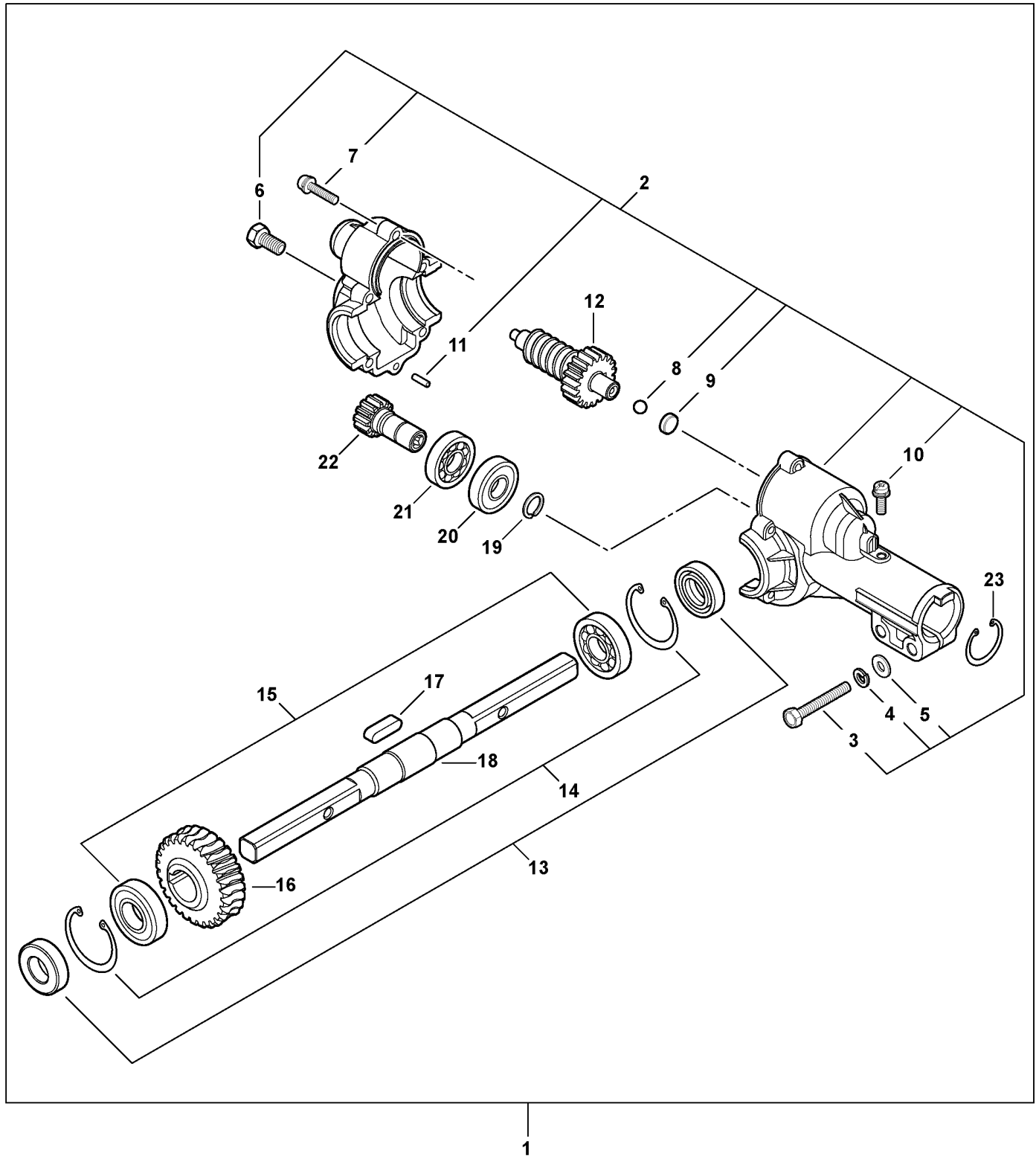
|                                    |           |
|------------------------------------|-----------|
| <b>Brush Assembly.....</b>         | <b>4</b>  |
| <b>Gear Case.....</b>              | <b>6</b>  |
| <b>Main Pipe Assembly.....</b>     | <b>8</b>  |
| <br>                               |           |
| <b>Part Number Index.....</b>      | <b>10</b> |
| <b>Part Description Index.....</b> | <b>11</b> |

***This Page Intentionally Left Blank***



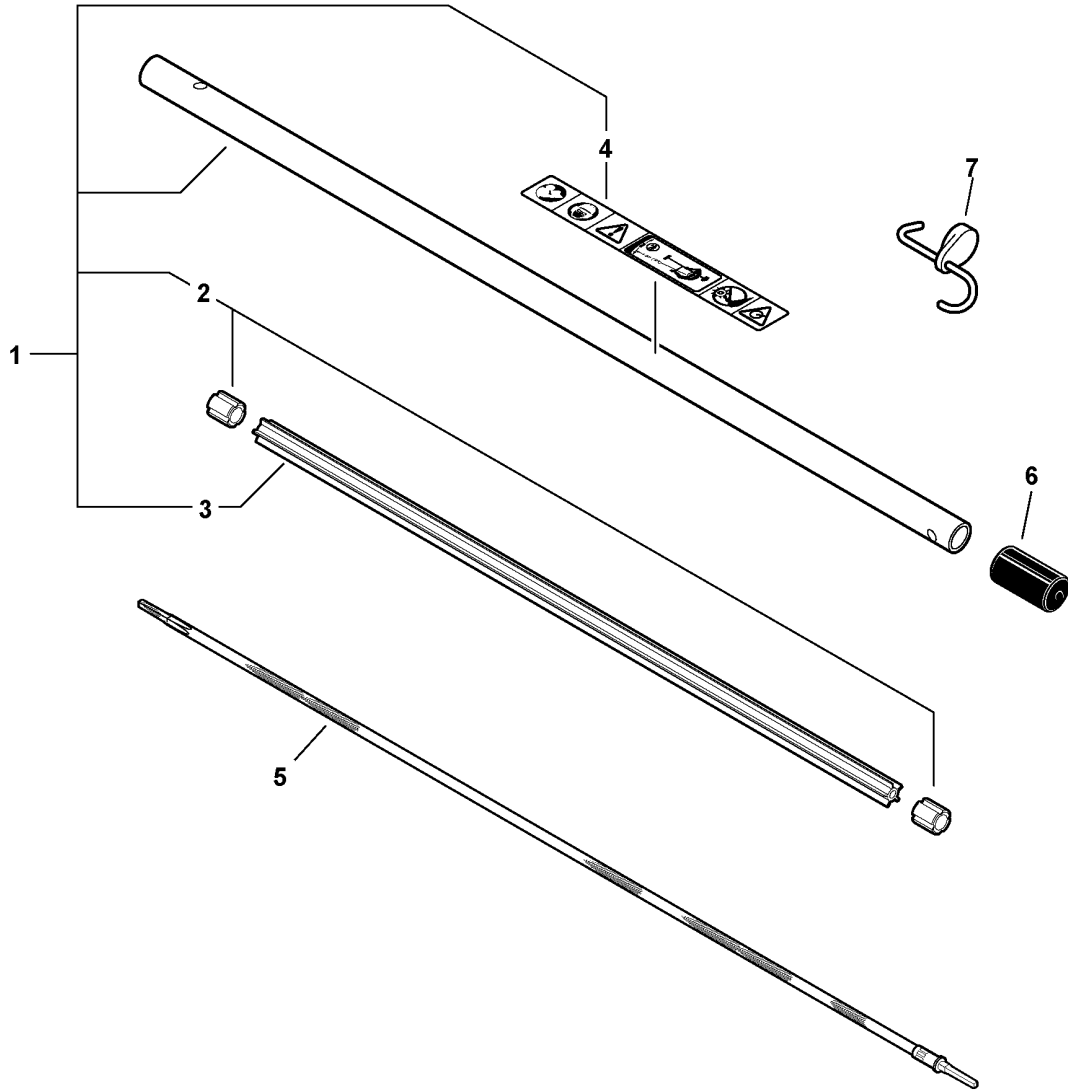
091 0002 B28

| ITEM | PART NUMBER | QTY | DESCRIPTION           | REMARKS                     |
|------|-------------|-----|-----------------------|-----------------------------|
| 1    | 90022005030 | 2   | SCREW 5X30            |                             |
| 2    | 90056000005 | 2   | LOCKNUT 5             |                             |
| 3    | 25023025561 | 2   | CAP, END              |                             |
| 4    | P021007010  | 1   | BRUSH ASY - .028 INCH | INCLUDES 2 BRUSH ASSEMBLIES |
| 5    | 40452325560 | 2   | SPRING PIN            |                             |
| 6    | C517000070  | 2   | COUPLING, SHAFT       |                             |



090 0002 000

| ITEM | PART NUMBER | QTY | DESCRIPTION        | REMARKS             |
|------|-------------|-----|--------------------|---------------------|
| 1    | 60140024960 | 1   | GEAR CASE ASY      | INCLUDES ITEMS 2-23 |
| 2    | 60540112050 | 1   | GEAR HOUSING ASY   | INCLUDES ITEMS 3-11 |
| 3    | 90010006025 | 2   | BOLT 6X25          |                     |
| 4    | 90060500006 | 2   | LOCKWASHER         |                     |
| 5    | 90060000006 | 2   | WASHER 6           |                     |
| 6    | 90010008008 | 1   | BOLT 8X8           |                     |
| 7    | 90024204025 | 5   | SCREW 4X25         |                     |
| 8    | 90073101004 | 1   | BALL, STEEL        |                     |
| 9    | 60532411050 | 1   | WASHER 3           |                     |
| 10   | 90024205014 | 1   | SCREW 5X14         |                     |
| 11   | 60543011050 | 2   | DOWEL PIN          |                     |
| 12   | 60531311050 | 1   | GEAR, WORM         |                     |
| 13   | 60541611050 | 2   | OILSEAL            |                     |
| 14   | 90070200030 | 2   | CIRCLIP 30         |                     |
| 15   | 90085506903 | 2   | BEARING, BALL 6903 |                     |
| 16   | 60531511050 | 1   | WHEEL, WORM        |                     |
| 17   | 90032504015 | 1   | KEY                |                     |
| 18   | 60531425560 | 1   | SHAFT, WORM WHEEL  |                     |
| 19   | 90070600009 | 1   | CIRCLIP 9          |                     |
| 20   | 90080300609 | 1   | BEARING, BALL 609Z |                     |
| 21   | 90080000609 | 1   | BEARING, BALL 609  |                     |
| 22   | 60531011050 | 1   | GEAR, DRIVE        |                     |
| 23   | 90070200025 | 1   | CIRCLIP 25         |                     |



031 0037 000



| ITEM | PART NUMBER | QTY | DESCRIPTION           | REMARKS                |
|------|-------------|-----|-----------------------|------------------------|
| 1    | 61020625660 | 1   | MAIN PIPE ASY         | INCLUDES ITEMS 2-3     |
| 2    | 61024644730 | 2   | STOPPER               |                        |
| 3    | 61021752630 | 1   | LINER                 |                        |
| 4    | 89016025560 | 1   | LABEL, CAUTION        |                        |
| 5    | C506000000  | 1   | DRIVESHAFT - FLEXIBLE |                        |
| 6    | 35122301130 | 1   | CAP, PROTECTIVE       |                        |
| 7    | 99944200630 | 1   | PAS ATTACHMENT HANGER | INCLUDES 4 PER PACKAGE |



# Part Number Index

Click The Page Number After Any Part Number To View The Diagram Containing That Part.

| <b>Part Number</b> | <b>Page</b> |
|--------------------|-------------|
| 25023025561 .....  | 5           |
| 35122301130 .....  | 9           |
| 40452325560 .....  | 5           |
| 60140024960 .....  | 7           |
| 60531011050 .....  | 7           |
| 60531311050 .....  | 7           |
| 60531425560 .....  | 7           |
| 60531511050 .....  | 7           |
| 60532411050 .....  | 7           |
| 60540112050 .....  | 7           |
| 60541611050 .....  | 7           |
| 60543011050 .....  | 7           |
| 61020625660 .....  | 9           |
| 61021752630 .....  | 9           |
| 61024644730 .....  | 9           |
| 89016025560 .....  | 9           |
| 90010006025 .....  | 7           |
| 90010008008 .....  | 7           |
| 90022005030 .....  | 5           |
| 90024204025 .....  | 7           |
| 90024205014 .....  | 7           |
| 90032504015 .....  | 7           |
| 90056000005 .....  | 5           |
| 90060000006 .....  | 7           |
| 90060500006 .....  | 7           |
| 90070200025 .....  | 7           |
| 90070200030 .....  | 7           |
| 90070600009 .....  | 7           |
| 90073101004 .....  | 7           |
| 90080000609 .....  | 7           |
| 90080300609 .....  | 7           |
| 90085506903 .....  | 7           |
| 99944200630 .....  | 9           |
| C506000000 .....   | 9           |
| C517000070 .....   | 5           |
| P021007010 .....   | 5           |



# Part Description Index

---

Click The Page Number After Any Part Description To View The Diagram Containing That Part.

## **B**

BALL, STEEL.....7  
BEARING, BALL 609.....7  
BEARING, BALL 609Z.....7  
BEARING, BALL 6903.....7  
BOLT 6X25.....7  
BOLT 8X8.....7  
BRUSH ASY - .028 INCH.....5

## **C**

CAP, END.....5  
CAP, PROTECTIVE.....9  
CIRCLIP 25.....7  
CIRCLIP 30.....7  
CIRCLIP 9.....7  
COUPLING, SHAFT.....5

## **D**

DOWEL PIN.....7  
DRIVESHAFT - FLEXIBLE.....9

## **G**

GEAR CASE ASY.....7  
GEAR HOUSING ASY.....7  
GEAR, DRIVE.....7  
GEAR, WORM.....7

## **K**

KEY.....7

## **L**

LABEL, CAUTION.....9  
LINER.....9  
LOCKNUT 5.....5  
LOCKWASHER.....7

## **M**

MAIN PIPE ASY.....9

## **O**

OILSEAL.....7

## **P**

PAS ATTACHMENT HANGER.....9

## **S**

SCREW 4X25.....7  
SCREW 5X14.....7  
SCREW 5X30.....5  
SHAFT, WORM WHEEL.....7  
SPRING PIN.....5  
STOPPER.....9

## **W**

WASHER 3.....7  
WASHER 6.....7  
WHEEL, WORM.....7



**ECHO, INCORPORATED**

400 Oakwood Road  
Lake Zurich, IL 60047 USA

[WWW.ECHO-USA.COM](http://WWW.ECHO-USA.COM)

---