



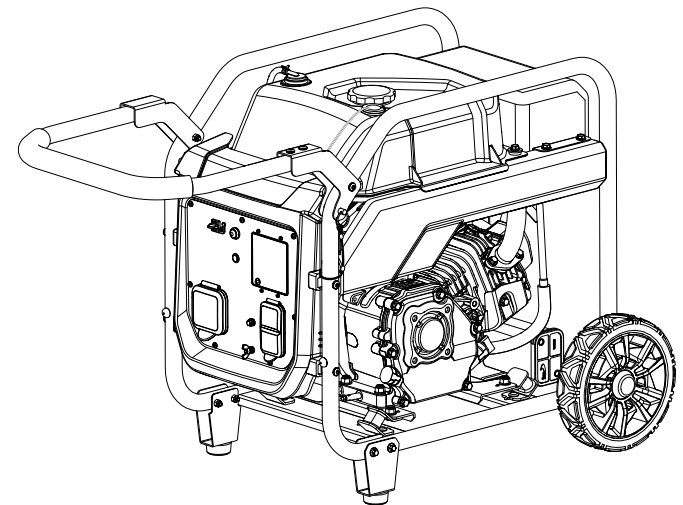
PARTS CATALOG

EGi-4000

DIGITAL INVERTER GENERATOR

MANUFACTURING NUMBER

099930635



ECHO, INCORPORATED

400 Oakwood Road, Lake Zurich, Illinois 60047

WWW.ECHO-USA.COM

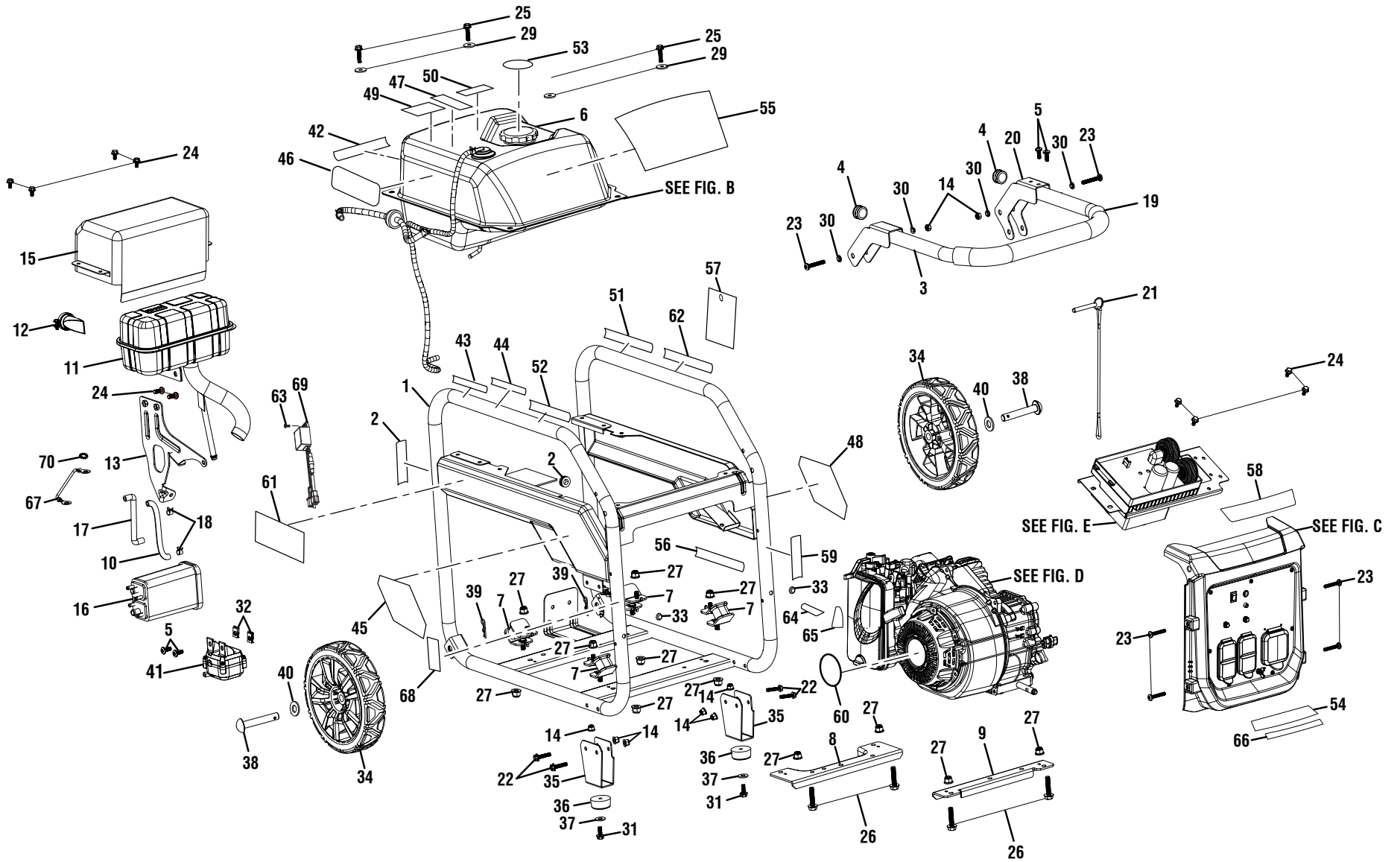
©2019 ECHO, Incorporated. All Rights Reserved

99922205412 (TTI#995000881)

5-14-20 (Rev:03)

ECHO DIGITAL INVERTER GENERATOR – MODEL NO. EGi-4000

FIGURE A



ECHO DIGITAL INVERTER GENERATOR – MODEL NO. EGi-4000

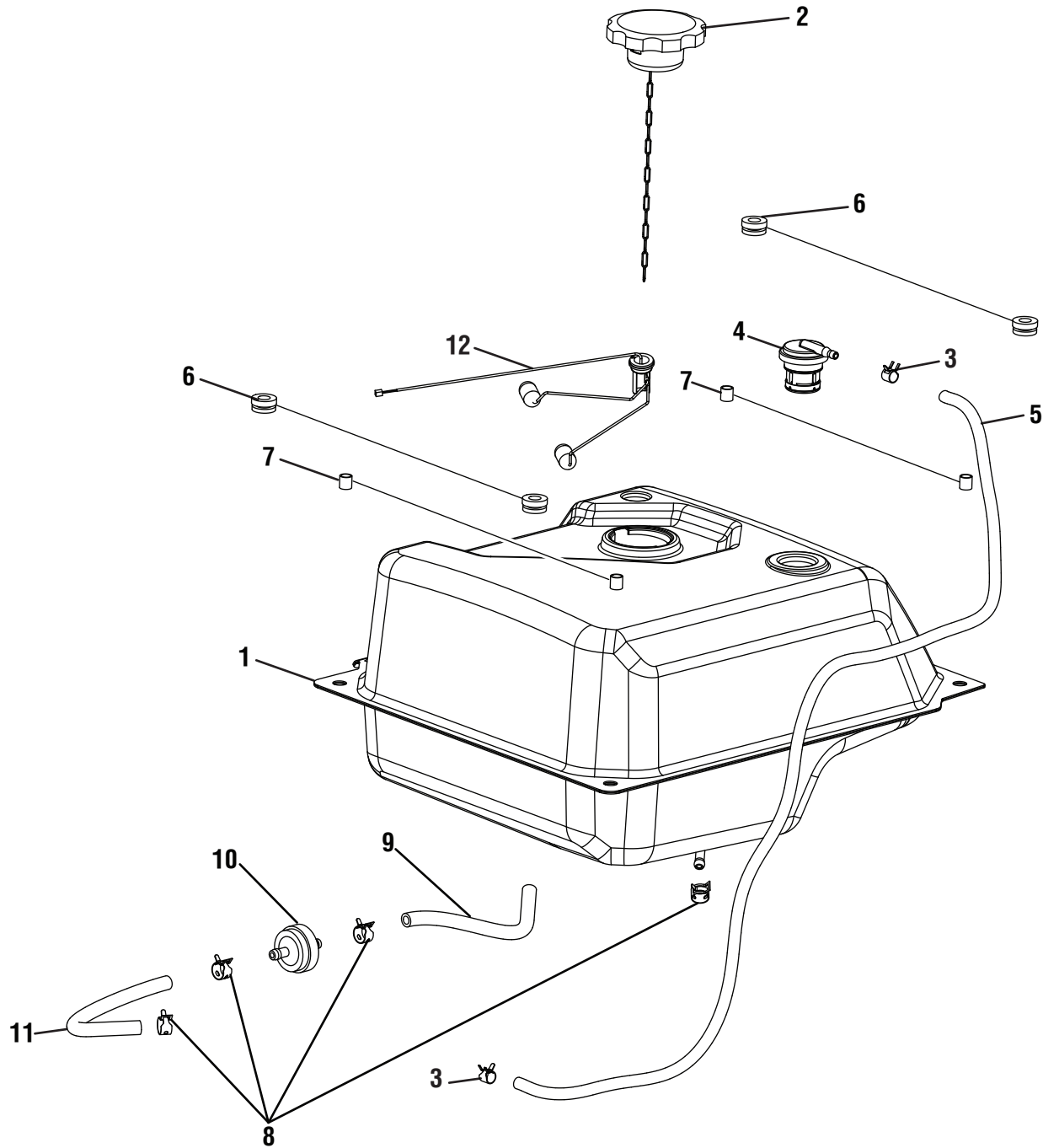
The model number will be found on a label attached to the motor housing. Always mention the model number in all correspondence regarding your **DIGITAL INVERTER GENERATOR** or when ordering parts.

PARTS LIST – FIGURE A

KEY NO.	PART NUMBER	DESCRIPTION	QTY	KEY NO.	PART NUMBER	DESCRIPTION	QTY	KEY NO.	PART NUMBER	DESCRIPTION	QTY
1	YH479000740	Frame Assembly.....	1	23	YH415000240	Bolt (M6 x 40 mm, T30 Torx Pan Hd.).....	6	48	YH653000280	Danger Icon Label	1
2	YH653000310	Hot Surface Label.....	1	24	YH437000000	Flange Bolt (M6 x 12 mm)	10	49	YH653000360	E85 Label.....	1
3	YH466000170	Handle	1	25	YH437000010	Flange Bolt (M6 x 25 mm)	4	50	YH653000470	Exhaust Direction Label	1
4	YH466000180	Handle End Caps	2	26	YH437000020	Flange Bolt (M6 x 16 mm, T30 Torx Pan Hd.).....	4	51	YH653000420	Fire Distance Label.....	1
5	YH439000010	Bolt (M6 x 10 mm, T30 Torx Pan Hd.).....	4	27	YH450000250	Lock Nut (M8).....	12	52	YH653000410	Fire Danger Label	1
6	YH455000050	Fuel Tank Assembly.....	1	28	YH653000310	Hot Surface Label.....	1	53	YH653000370	Remove Cap Fuel Stabilizer Label (ENG).....	1
7	YH468000790	Isolator (45 Deg)	4	29	YH451000110	Washer	4	54	YH653001050	Ground Warning Label (ENG/FR).....	1
8	YH479000900	Bottom Plate (Left)	1	30	YH451000120	Shoulder Washer	4	55	YH653000330	Performance Label	1
9	YH479000910	Bottom Plate (Right)	1	31	YH435000740	Flange Bolt (M6 x 16 mm, Hex Hd.)	2	56	YH653000340	Lubricant Label.....	1
10	YH467000310	Valve Hose.....	1	32	YH452000210	U-Clip	2	57	YH653000400	Notice Hang Tag.....	1
11	YH460000120	Muffler	1	33	YH466000200	Handle Bumper	2	58	YH653001150	COMMAND Bluetooth Label	1
12	YH460000091	Spark Arrestor	1	34	YH478000080	Wheel (8 in.).....	2	59	YH653000260	Locking Pin Label.....	1
13	YH479000920	Muffler Bracket.....	1	35	YH468001310	Foot	2	60	YH653000270	Engine Recoil Label.....	1
14	YH450000230	Nut (M6).....	8	36	YH468001320	Wear Pad	2	61	YH653000320	Tank Logo Label	1
15	YH479000940	Muffler Heat Shield.....	1	37	YH451000390	Washer	2	62	YH653000380	Fuel Stabilizer Label (Fr/Sp)	1
16	YH481000020	Carbon Canister (Rewin Q-08-007 RW320cc).....	1	38	YH478000090	Axle.....	2	63	YH435000600	Bolt (M5 x14 mm, Hex Hd.).....	1
	YH481000030	Carbon Canister (Depurate Q-13-004)	1	39	YH452000510	Hitch Pin.....	2	64	YH653001160	Off Label.....	1
17	YH467000320	Carbon Canister to Airbox Hose.....	1	40	YH451000300	Washer	2	65	YH653001170	On Label	1
18	YH452000150	Fuel Clamp (3/8 in)	2	41	YH601000140	CO Module Assembly	1	66	YH653000250	FCC label.....	1
19	YH466000190	Handle Foam Grip	1	42	YH653000300	Hot Surface Label.....	1	67	YH301000060	Ground Wire	1
20	YH466000220	Right Bracket.....	1	43	YH653000920	Inquiries Label	1	68	YH653000460	Do Not Tamper Label (Fr)	1
21	YH470000360	Pin Release.....	1	44	YH653000390	Combustion Label	1	69	YH314000030	AC to 5V DC Regulator	1
22	YH435000610	Flange Bolt (M6 x 40 mm, Hex Hd.)	4	45	YH653000510	Monitoring System Label	1	Not Shown:			
				46	YH653000480	Instruction Label.....	1	99922205402		Operator's Manual	
				47	YH653000070	CPSC Danger Label	1	99922205423		Quick Start Guide	

ECHO DIGITAL INVERTER GENERATOR – MODEL NO. EGi-4000

FIGURE B



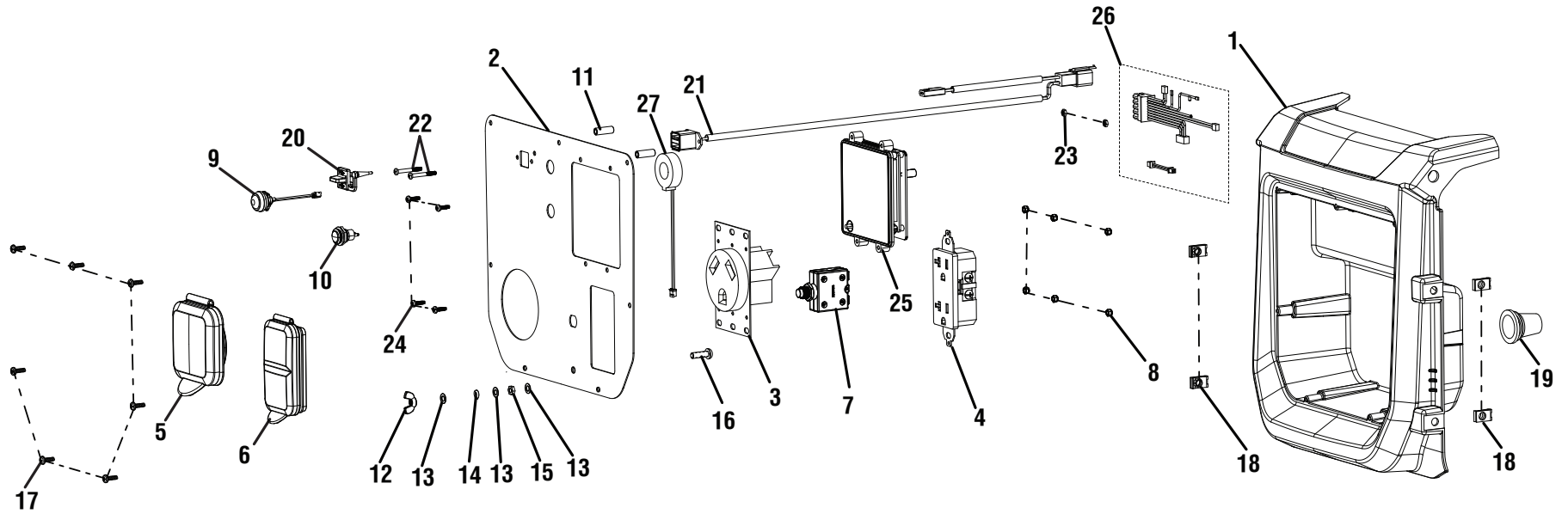
ECHO DIGITAL INVERTER GENERATOR – MODEL NO. EGi-4000

The model number will be found on a label attached to the motor housing. Always mention the model number in all correspondence regarding your **DIGITAL INVERTER GENERATOR** or when ordering parts.

PARTS LIST – FIGURE B

KEY NO.	PART NUMBER	DESCRIPTION	QTY
1	YH455000050	Fuel Tank Assembly	1
2	YH468000740	Fuel Cap w/Chain	1
3	YH452000150	Fuel Clamp (3/8 in.).....	2
4	YH459000140	Vapor Vent.....	1
5	YH467000280	Vapor Hose (4.5 mm x 760 mm)	1
6	YH468000760	Bushing.....	4
7	YH468000750	Isolator Insert Spacer.....	4
8	YH452000190	Fuel Clamp (1/2 in.).....	4
9	YH467000290	Fuel Hose (6.2 mm to 4.5 mm)	1
10	YH465000100	Inline Fuel Filter.....	1
11	YH467000300	Fuel Hose.....	1
12	YH470000380	Fuel Level Sensor	1

FIGURE C



ECHO DIGITAL INVERTER GENERATOR – MODEL NO. EGi-4000

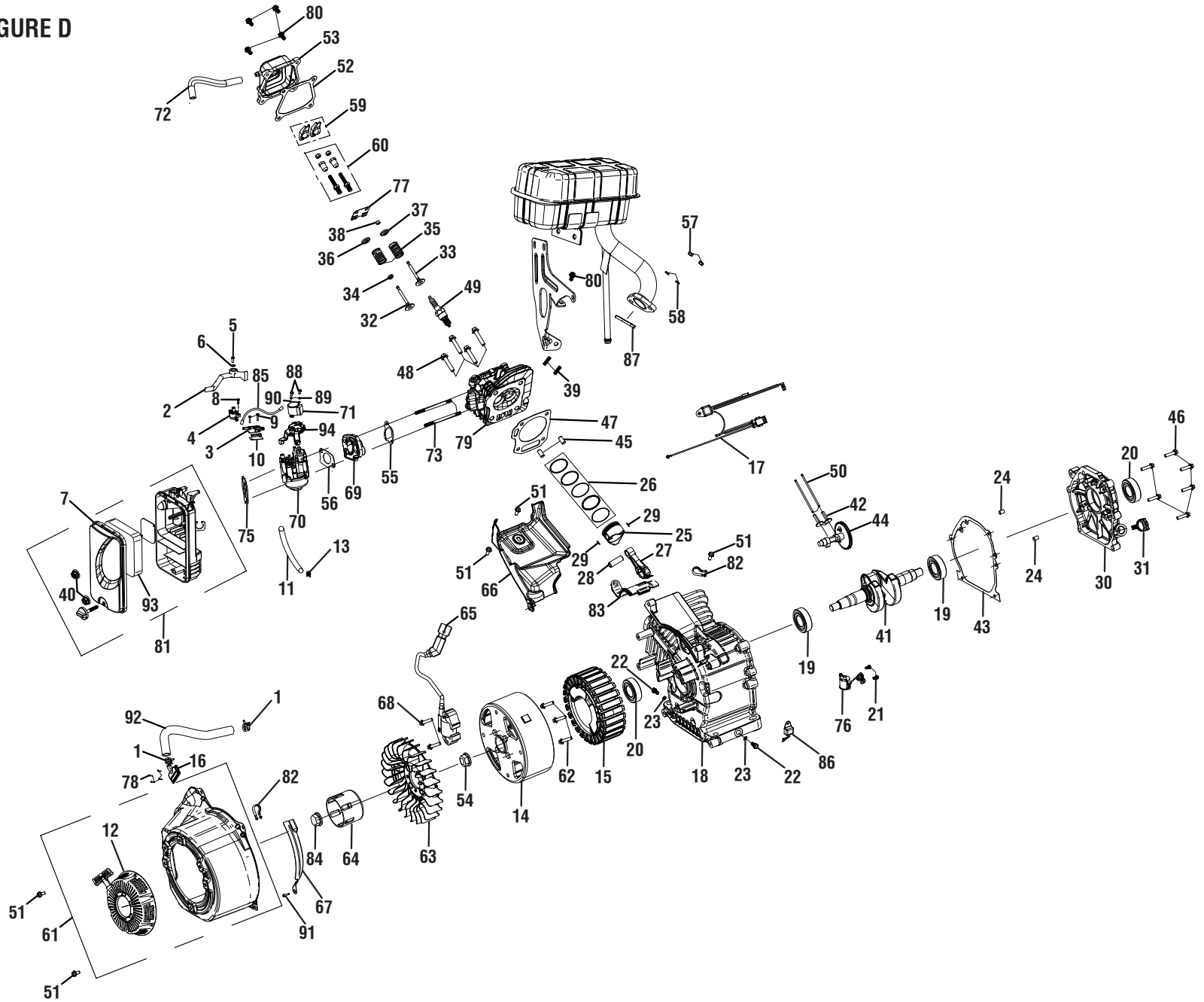
The model number will be found on a label attached to the motor housing. Always mention the model number in all correspondence regarding your **DIGITAL INVERTER GENERATOR** or when ordering parts.

PARTS LIST – FIGURE C

KEY NO.	PART NUMBER	DESCRIPTION	QTY
1	YH479000790	Electrical Panel Housing	1
2	YH479000930	Control Panel.....	1
3	YH304000130	120 Volt Receptacle	1
4	YH304000110	120 Volt 20 Amp Duplex Receptacle	1
5	YH479000830	Outlet Cover	1
6	YH479000820	120 Volt Rain Cover.....	1
7	YH318000060	Breaker 20A.....	1
8	YH450000410	Lock Nut (M4).....	6
9	YH321000080	Auto Idle Rocker Switch.....	1
10	YH321000110	Momentary Push Button-Reset	1
11	YH475000000	Spacer	2
12	YH450000160	Wing Nut (M5)	1
13	YH451000050	Washer (ID 5.3 x OD 10.0 x 0.5 t).....	3
14	YH451000090	Split Lock Washer (OD 9 x ID 5 x 1.3t).....	1
15	YH450000150	Nut (M5).....	1
16	YH435000410	Bolt (M5 x 16 mm, Pan Hd).....	1
17	YH417000040	Screw (M4.2 x 12 mm, Pan Hd)	7
18	YH452000210	U-Clip (M6)	4
19	YH468000770	Wiring Rubber Boot.....	1
20	YH479000620	Dual USB Cover	1
21	YH601000130	USB Wire Harness	1
22	YH415000230	Screw	2
23	YH450000140	Nut (M3).....	2
24	YH415000210	Screw (M3.1 x 10 mm, Pan Hd)	4
25	YH310000050	ECHO COMMAND Display	1
26	YH601000060	LCD Wire Harness.....	1
27	YH304000130	Current Transformer Type-A.....	1

ECHO DIGITAL INVERTER GENERATOR – MODEL NO. EG1-4000

FIGURE D



ECHO DIGITAL INVERTER GENERATOR – MODEL NO. EGi-4000

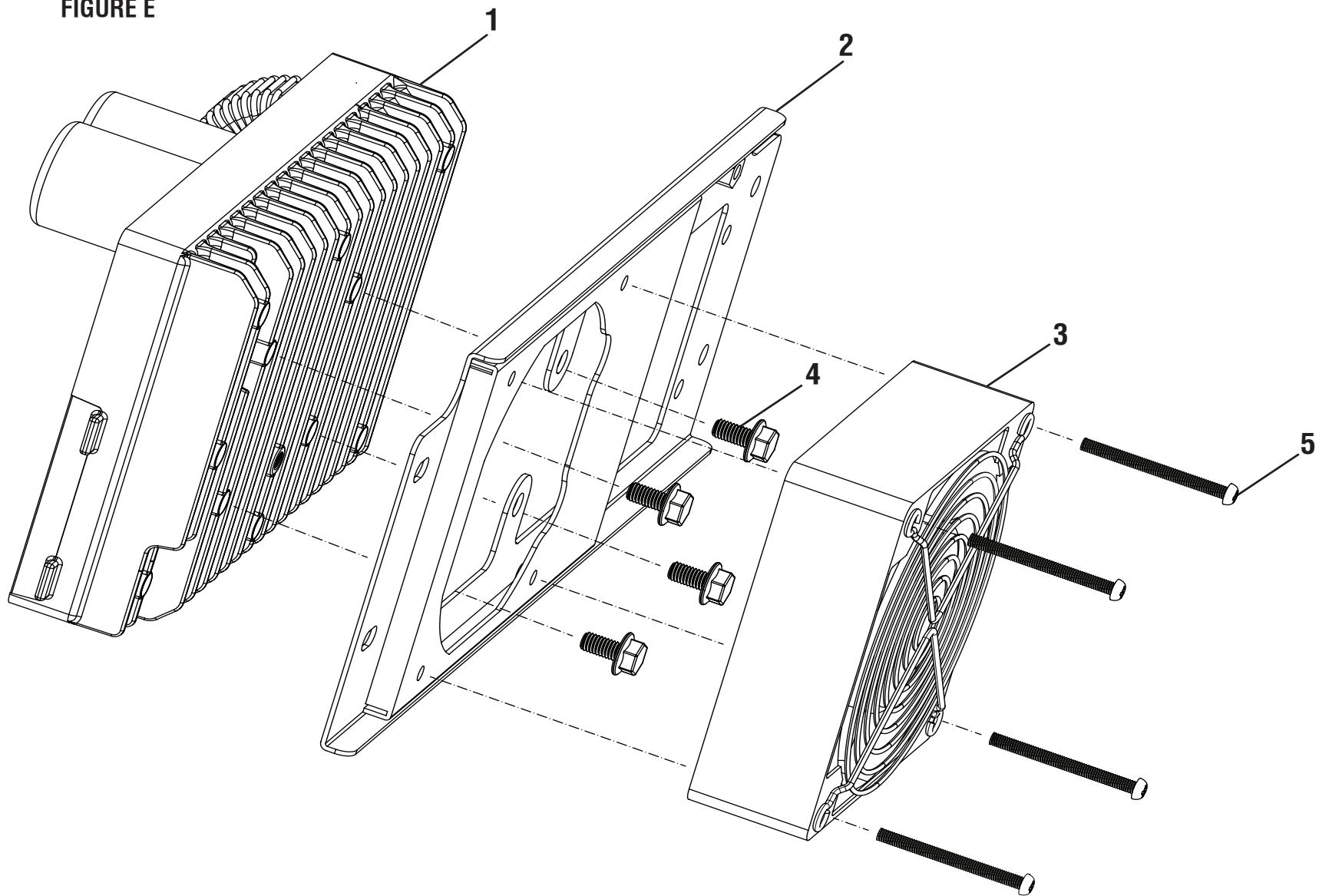
The model number will be found on a label attached to the motor housing. Always mention the model number in all correspondence regarding your **DIGITAL INVERTER GENERATOR** or when ordering parts.

PARTS LIST – FIGURE D

KEY NO.	PART NUMBER	DESCRIPTION	QTY	KEY NO.	PART NUMBER	DESCRIPTION	QTY	KEY NO.	PART NUMBER	DESCRIPTION	QTY
1	YH452000200	Fuel Hose Pinch Clamp.....	2	33	YH458001160	Exhaust Valve.....	1	65	YH461000270	Ignition Coil	1
2	YH470000390	Control Lever.....	1	34	YH458001170	Intake Valve Returner.....	1	66	YH479001780	Shroud.....	1
3	YH321000100	Engine Stop Switch.....	1	35	YH458001180	Spring Valve	2	67	YH479001790	Shroud.....	1
4	YH470000410	Fuel Valve.....	1	36	YH458001190	Spring Valve Intake Seat	1	68	YH435000670	Bolt (M6 x 30 mm).....	2
5	YH439000000	Bolt (M4 x 10 mm, Pan Hd.).....	1	37	YH458001200	Spring Valve Exhaust Seat	1	69	YH468001360	Carburetor Insulator	1
6	YH451000130	Washer	1	38	YH458001210	Rotator	1	70	YH459000460	Carburetor Assembly	1
7	YH479000780	Air Box.....	1	39	YH452000530	Stud Bolt	2	71	YH459000470	Stepper Motor.....	1
8	YH439000020	Bolt (M6 x 10 mm, Pan Hd.).....	1	40	YH450000420	Nut (M6).....	2	72	YH467000480	Breather Tube.....	1
9	YH417000050	Screw (M2.9 x 16 mm, Pan Hd.) ..	2	41	YH458001220	Crankshaft Assembly	1	73	YH452000550	Stud.....	2
10	YH479001010	Engine Stop Bracket	1	42	YH458001230	Valve Lifter.....	2	74	YH452000560	Fuel Line Clip	1
11	YH467000270	Fuel Hose (300 mm)	1	43	YH468001460	Casecover Packing	1	75	YH468001370	Carburetor Spacer.....	1
12	YH463000110	Engine Recoil Cover.....	1	44	YH458001240	Camshaft Assembly	1	76	YH327000120	Oil Level Switch Assembly	1
13	YH452000150	Fuel Clamp (3/8 in.).....	2	45	YH452000540	Dowel Pin	2	77	YH458001290	Push Rod Guide Plate.....	1
14	YH315000030	Rotor	1	46	YH435000630	Bolt (M8 x 30 mm).....	6	78	YH415000790	Screw	4
15	YH315000040	Stator.....	1	47	YH468001350	Cylinder Head Gasket	1	79	YH458001300	Cylinder Head	1
16	YH470000420	Pair Valve.....	1	48	YH435000640	Bolt (M8 x 60 mm).....	4	80	YH435000680	Bolt (M6 x 16 mm).....	5
17	YH601000070	Engine Shutdown Wire Harness ..	1	49	YH461000260	Spark Plug.....	1	81	YH479001800	Air Cleaner Assembly.....	1
18	YH458001340	Crankcase	1	50	YH458001250	Push Rod.....	2	82	YH452000570	Fuel Line Clip	2
19	YH453000100	Ball Bearing	2	51	YH435000650	Bolt.....	5	83	YH479001810	Shroud.....	1
20	YH468001330	Oil Seal	2	52	YH468001470	Headcover Packing.....	1	84	YH435000690	Bolt.....	1
21	YH435000620	Bolt (M6 x 16 mm).....	2	53	YH458001260	Cylinder Head Cover.....	1	85	YH301000120	Flameout Wire	1
22	YH468001340	Drain Plug Bolt	2	54	YH450000430	Nut.....	2	86	YH314000040	Amplifier	1
23	YH451000400	Drain Plug Washer.....	2	55	YH468001480	Intake Packing.....	1	87	YH451000420	Washer	1
24	YH452000520	Casecover Dowel Pin.....	2	56	YH468001490	Carburetor Packing	1	88	YH435000700	Bolt (M3 x 8 mm).....	2
25	YH458001090	Piston	1	57	YH450000440	Nut.....	2	89	YH452000430	Spring Washer.....	2
26	YH458001100	Piston Scraper Ring Set.....	1	58	YH451000410	Spring Washer.....	2	90	YH452000440	Flat Washer	2
27	YH458001110	Connecting Rod Assembly	1	59	YH458001270	Rocker Assembly	2	91	YH435000710	Bolt (M6 x 20 mm).....	1
28	YH458001120	Piston Ring.....	1	60	YH458001280	Adjuster Rocker Arm	2	92	YH467000310	Pair Valve Hose	1
29	YH458001130	Piston Clip.....	2	61	YH463000200	Recoil Starter Assembly.....	1	93	YH465000220	Air Filter	1
30	YH458001140	Crankcase Cover Assembly.....	1	62	YH435000660	Bolt (M6 x 45 mm).....	3	94	YH470000400	Choke Lever	1
31	YH470000830	Dipstick	1	63	YH463000210	Recoil Starter Fan	1				
32	YH458001150	Intake Valve	1	64	YH463000220	Starter Pulley.....	1				

Not Shown:
YH459000590 High Altitude Kit

FIGURE E



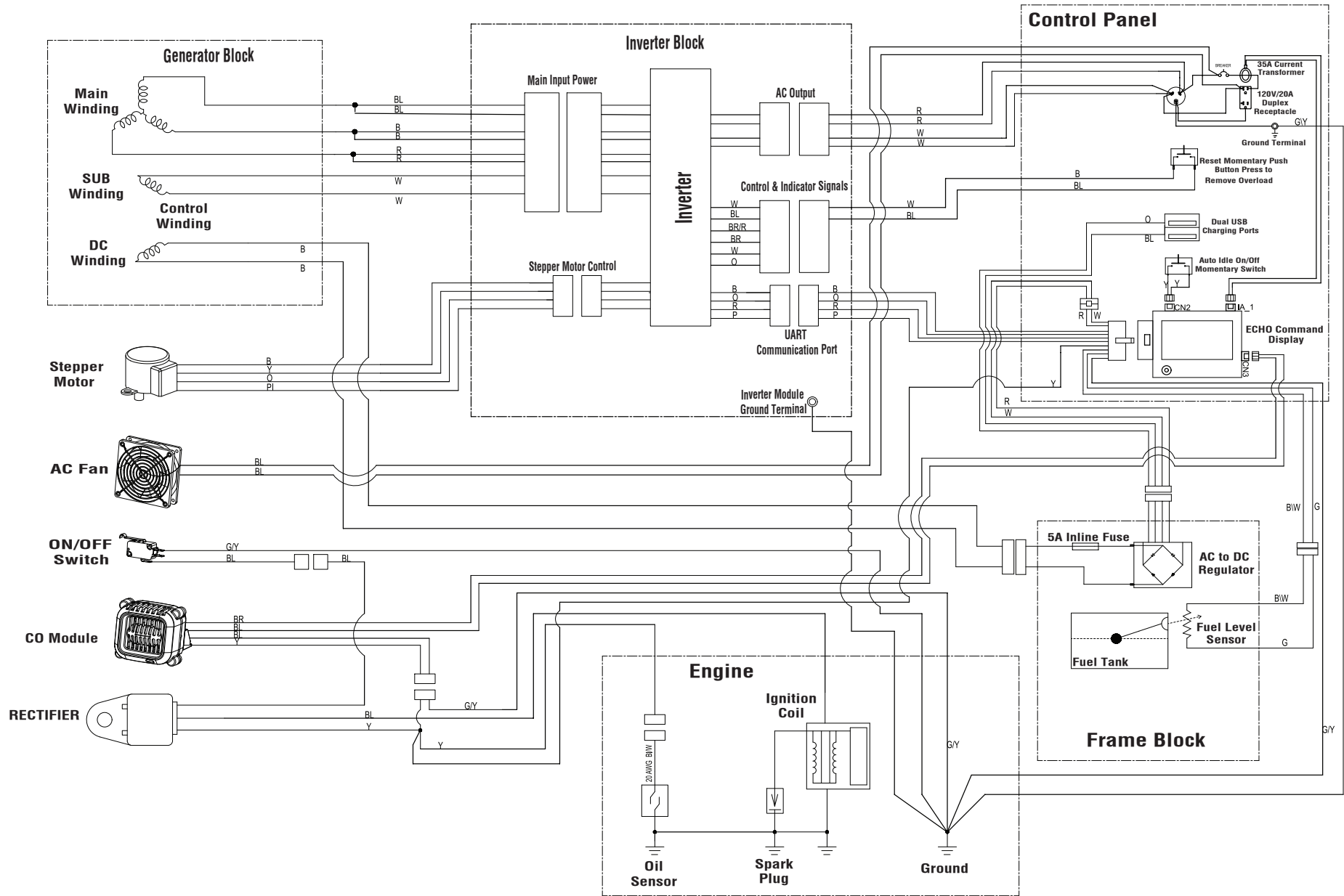
ECHO DIGITAL INVERTER GENERATOR – MODEL NO. EGi-4000

The model number will be found on a label attached to the motor housing. Always mention the model number in all correspondence regarding your **DIGITAL INVERTER GENERATOR** or when ordering parts.

PARTS LIST – FIGURE E

KEY NO.	PART NUMBER	DESCRIPTION	QTY
1	YH311000030	Inverter Module	1
2	YH466000360	Inverter Module Bracket Assembly	1
3	YH472000030	AC Cooling Fan	1
4	YH437000000	Bolt (M6 x 12 mm, Hex Hd.).....	4
5	YH417000010	Screw (M4 x 46 mm, Pan Hd.)	4

ECHO DIGITAL INVERTER GENERATOR – MODEL NO. EGi-4000



WIRING DIAGRAM